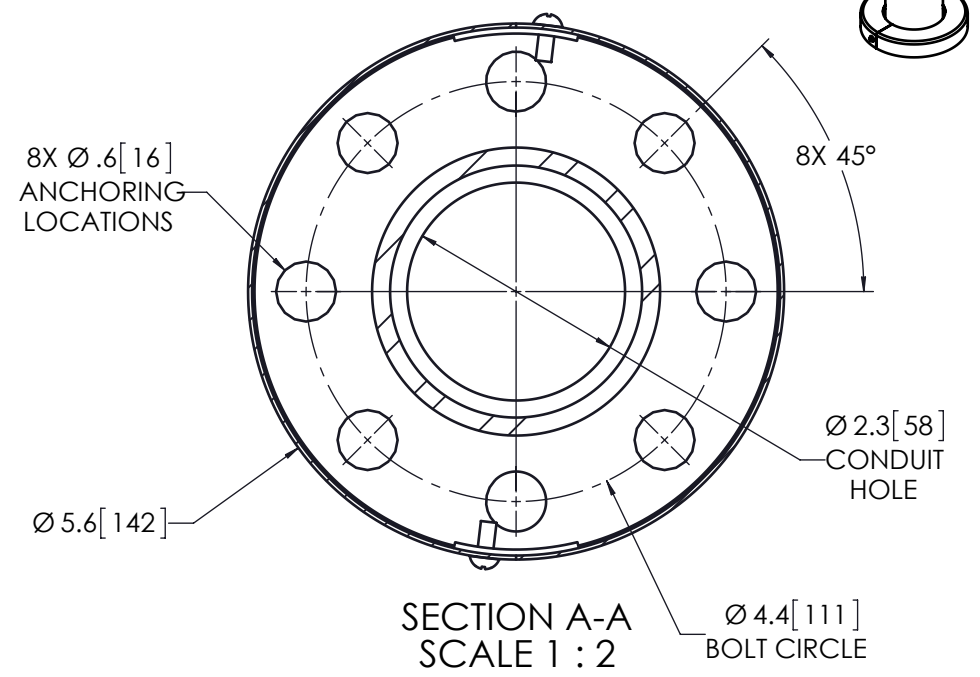
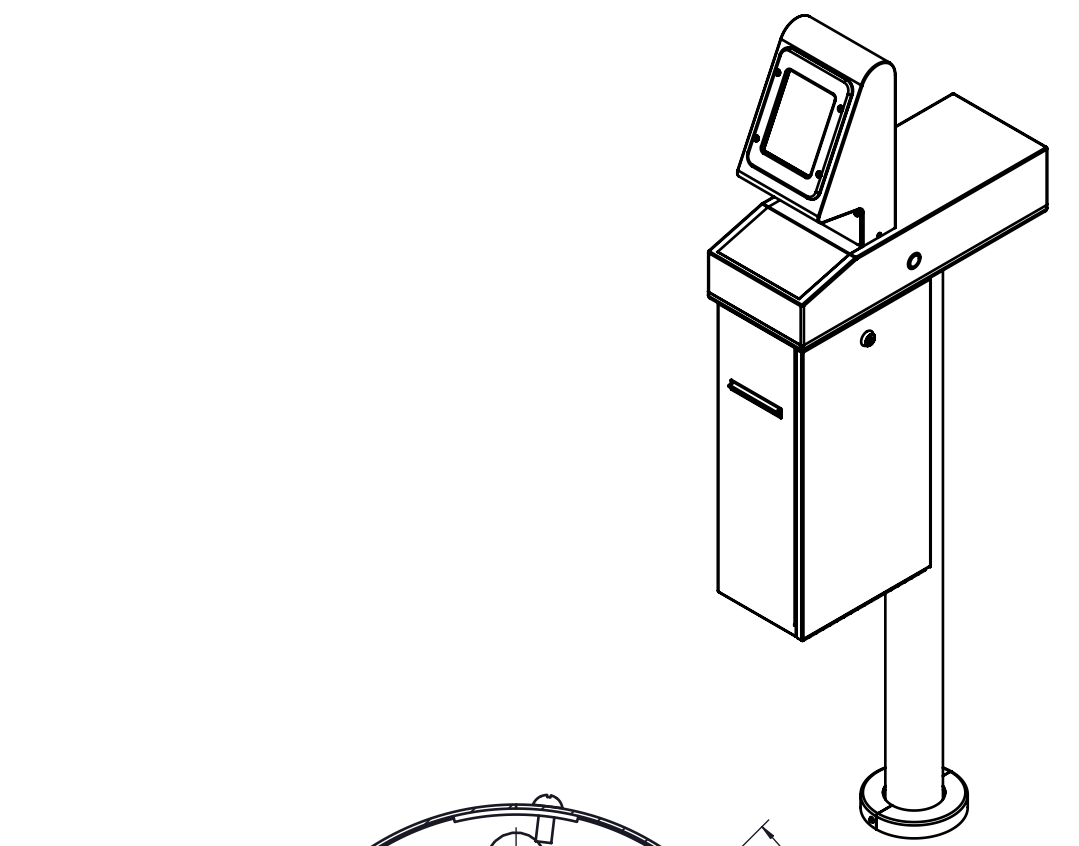
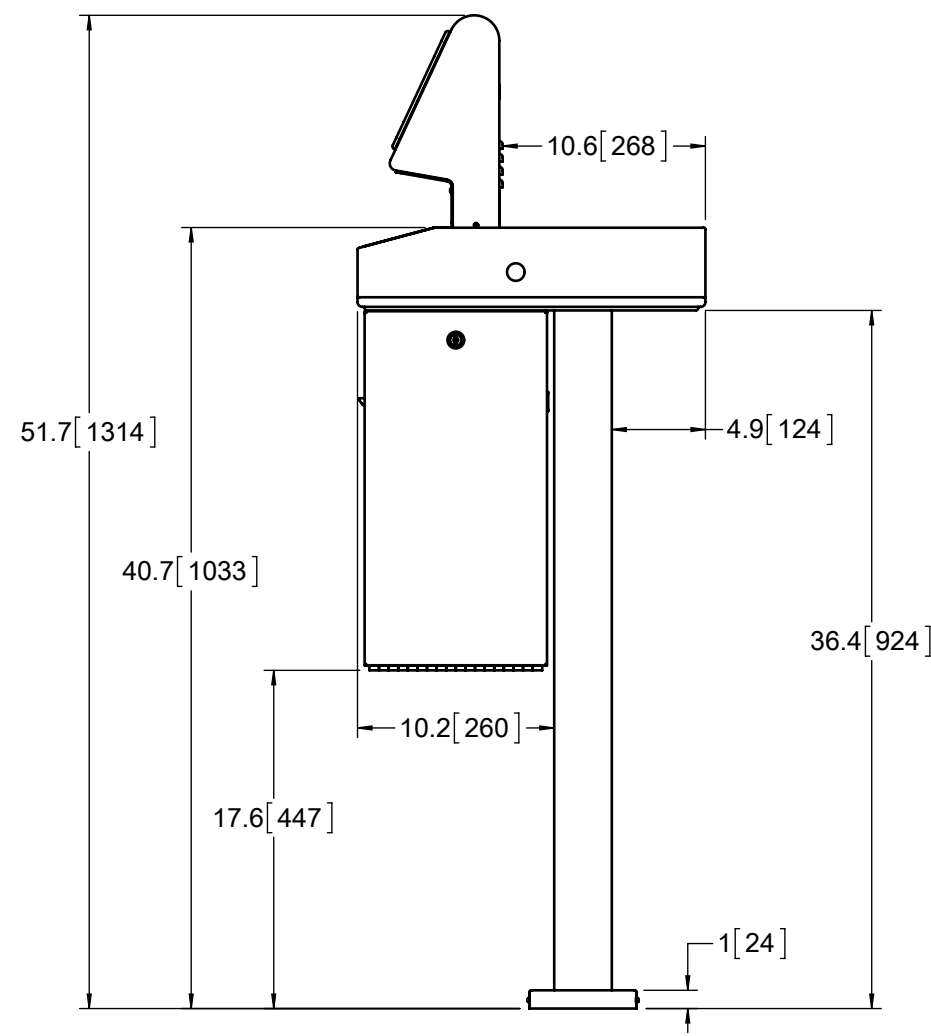
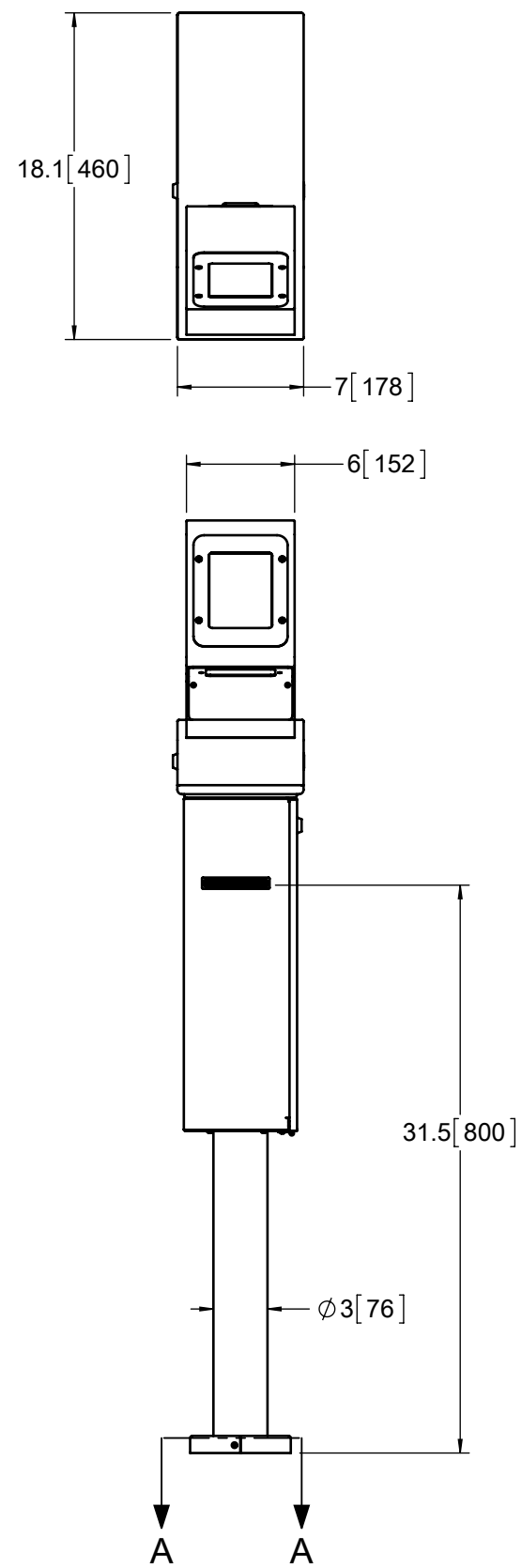


8 7 6 5 4 3 2 1

D  
C  
B  
A

D  
C  
B  
A



NOTES:  
1. ALL DIMENSIONS ARE APPROXIMATE AND IN INCHES [mm].

THIRD ANGLE PROJECTION						Alvarado Mfg. Co. Inc. 12660 Colony Street, Chino, CA 91710 909.591.8431 - 909.628.1403 (Fax) www.alvaradomfg.com	
PROPRIETARY AND CONFIDENTIAL THE INFORMATION CONTAINED IN THIS DRAWING IS THE SOLE PROPERTY OF ALVARADO MANUFACTURING INC. ANY REPRODUCTION IN PART OR AS A WHOLE WITHOUT THE WRITTEN PERMISSION OF ALVARADO MANUFACTURING INC. IS PROHIBITED.				TITLE: <h2 style="text-align: center;">TAS12P-AS1</h2>			
DRAWN CHECKED ENGR	NAME RGM RPL	DATE 9/30/2015 9/30/2015	SIZE <h3 style="text-align: center;">B</h3> SCALE: 1:10	DWG. NO. <h2 style="text-align: center;">PEF-539</h2>	REV <h3 style="text-align: center;">A</h3>	SHEET 1 OF 1	

8 7 6 5 4 3 2 1