

W

Crowd Control Turnstile

The W is a single direction three-arm turnstile that is ideal for applications with limited floor space. The W turnstile takes up less space than our four-arm crowd control turnstiles yet still provides a comfortable passage width.



TYPICAL INSTALLATION SITES

- Grocery and Retail Stores
- Warehouses
- Food Service Areas
- Other Public Access Facilities

FUNCTION

The W turnstile is a three-arm turnstile that is suitable for use in supermarkets, retail stores, food service areas and other public access facilities. The W offers easy customer access and significant protection against wrong way traffic.

The turnstile's horizontal arms require less than 1 lb. of pressure to move and a no-slip clutch provides smooth, silent, single direction rotation. The turnstile provides approximately 17" of passage width.

AVAILABLE CONFIGURATIONS

The W includes turnstile arms and post (as shown on cover page). The turnstile can be ordered in left-hand or right-hand operation.

AVAILABLE FINISHES

The W comes in a bright chrome finish.

MATERIALS

TURNSTILE HEAD ASSEMBLY

The turnstile head assembly consists of a 3.5" OD by 0.38" thick steel tube drilled to accept three turnstile arms. The turnstile arms are fit into the head and welded from the back so that no weld seam is visible. The turnstile head contains the clutch assembly and securely attaches to the top of the turnstile post.

CLUTCH ASSEMBLY

The clutch assembly allows one direction operation in either the left-hand or right-hand direction.

TURNSTILE ARMS

The turnstile arms are constructed from 1.5" OD x 16-gauge steel tubing. The end of the arm contains a welded cap, with the weld ground smooth.

TURNSTILE POST

The turnstile post is constructed from 2.25" OD x 16-gauge steel tubing. The bottom end of the post contains a 5.5" OD flange with holes for anchoring. The post comes with a flange cover.

OPTIONS

FACTORY ATTACHED RAIL OUTLETS

Railing outlets can be added to the turnstile post to allow the attachment of Alvarado 1.75" OD railing.

YOKE POST

Yoke post is constructed from 2.25" OD x 16-gauge steel tubing. The bottom end of the post contains a 5.5" OD flange with holes for anchoring. The post comes with a flange cover. The sleeve yoke is constructed from two pieces of 1.5" OD x 16-gauge steel tubing welded to a 2.35" ID center sleeve. The center sleeve contains two holes that allow attachment of the sleeve yoke to the yoke post.

SHIPPING AND SITE PREPARATION

SHIPPING

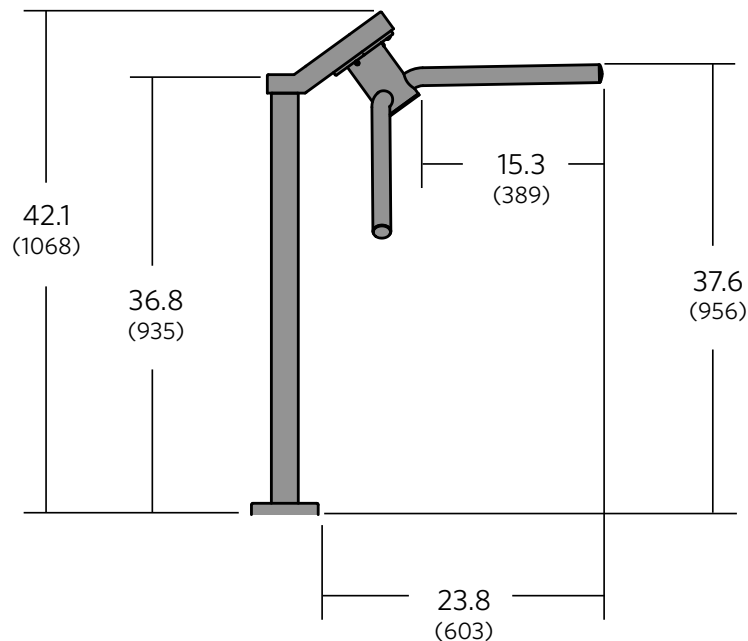
The W turnstile is shipped ready for installation. Anchoring hardware is available, but not included.

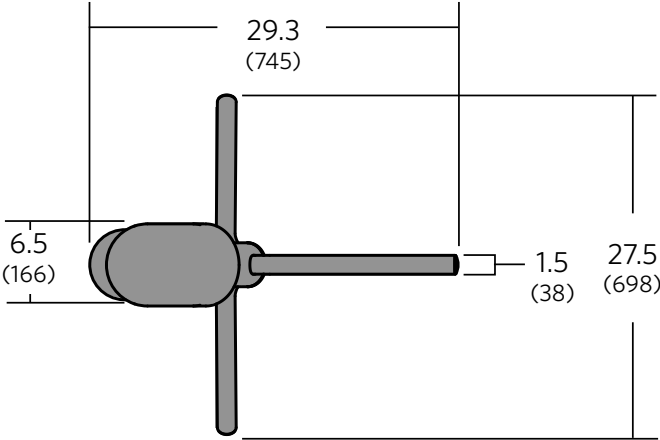
SITE PREPARATION

The W must be installed on a firm foundation. The slab platform should be a minimum of 4" deep, level concrete. Installation should be performed by a skilled installer following Alvarado's instructions. Drawings and installation manuals are available online.

TECHNICAL DIMENSIONS

Dimensions are shown in inches (mm). All measurements are approximate.





Weights		
Product Weight	32 lbs.	15 kg;
Shipping Weight	85 lbs.	39 kg; Shipping box and pallet Included

WARRANTY

For a period of one year from the date of shipping, Alvarado will replace or repair, at Alvarado’s option, any products or parts which are defective in materials or workmanship, provided recommended installation and maintenance procedures are followed. This warranty is void if damage is due to improper installation, maintenance or use. This warranty is limited to parts only, and does not cover labor or shipping charges incurred in connection with the removal or replacement of warranted products or parts.

This warranty is expressly made in lieu of any and all other warranties, expressed or implied, including, but not limited to implied warranties of merchantability and fitness for a particular purpose. Alvarado shall not be liable for any loss or damage, directly or indirectly, arising from the use of purchased products. In no event shall Alvarado be liable to buyer for consequential damages, special damages, incidental damages, loss of use, business interruption, loss of profits, or damages of any kind arising out of the use or inability to use a purchased product. In NO event shall Alvarado be liable for damages which exceed the purchase price of a covered product.

