



model TAS12-OEM

The TAS12-OEM is an intelligent admission device that includes a 1D/2D barcode scanner, color TFT touchscreen display, and an advanced controller that communicates with Alvarado server based gate admission software via TCP/IP.

The TAS12-OEM is primarily used for patron self-validation of paper and digital tickets and passes at facility entry points. The OEM version is designed to integrate with third party electric lock control turnstiles and gates where Alvarado's gate admission software is used.



COMMON APPLICATIONS

- Front Gate Entry Control
- Patron Self Validation
- Attendant Assisted Entry Control

Why Alvarado?

Alvarado is the leading provider of front gate solutions and integrated software for sports and entertainment venues. Founded in 1956, Alvarado has supplied best-in-class admission control hardware, software and integrated solutions to

venues around the world. Our superior product quality, integration expertise and industry leading service and support are just a few reasons that many of the world's most respected companies use our products again and again.

KEY POINTS

Media Validation	Validates 1D/2D barcodes (tickets / cards / print-at-home / cell phone). Additional media readers such as magnetic stripe, NFC, RFID and fingerprint can be integrated.
5.7" Color TFT Display	Bright (700 nit) touchscreen display is visible in direct sunlight. User definable graphics notify patrons of credential status. Graphics are easily changed using an Alvarado server utility.
Touchscreen Functionality	Easy-to-use touchscreen supports multiple patron or attendant functions, including attendant sign on, group entries, barcode/media look up and custom applications
Audio	Plays .wav files which can be easily changed by uploading to individual or all devices from Alvarado server utilities
Attendant Notification	Bright LED array notifies attendant of presented credential status.
Server Communication	Communicates via wired or wireless TCP/IP with Alvarado's server based gate admission software.
Access Device Control	Through the addition of an optional relay, the admission station can activate (unlock) an adjacent turnstile or gate.



Scans 1D/2D printed and digital barcodes



Bright, Color Touchscreen



Attendant Notification Lights

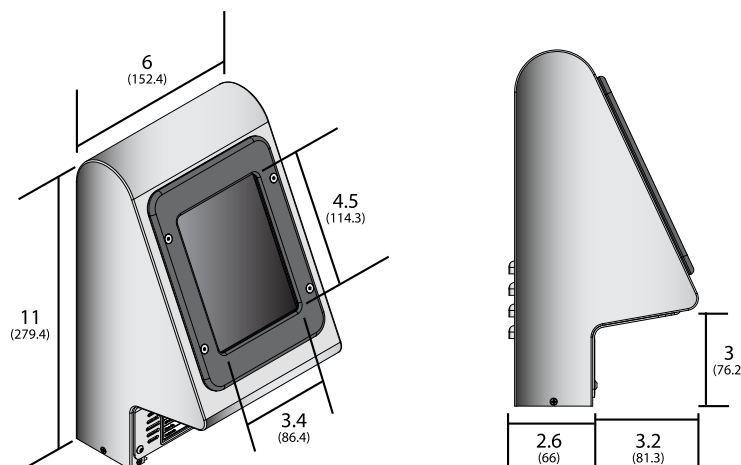


Communicates with Alvarado Admission Software

TYPICAL CONFIGURATION



DIMENSIONS



Dimensions shown in inches (mm).