

SSB

Floor Bumper

The SSB removable floor bumper rail protects walls, cases and fixtures in grocery and retail stores. This satin stainless steel product provides a clean, understated look and superior impact protection.



Common Applications

- Supermarkets
- Warehouse Stores
- Retail Stores
- Home Improvement Centers
- Speciality Stores
- Stocking Areas
- Cart Corrals

FUNCTION

The SSB is a removable floor mounted bumper which protects fixtures, cases and walls from impact damage caused by shopping carts, pallet jacks, stocking carts and floor scrubbers.

The SSB has a small footprint allowing installation close to fixtures. The SSB installs easily using floor sockets. Individual sections can be joined to create seamless runs along walls or refrigeration aisles.

90° and 135° degree corners are an available option.

CONFIGURATIONS

The SSB is available in individual sections from 1' to 12'. Individual sections can be joined to create longer runs as required by the application.

MATERIALS AND FINISHES

The SSB is all stainless steel. The horizontal face is 1.75"OD, 16-gauge tubing. The foot is a welded assembly consisting of a 4" piece of tubing with beveled edges welded to .75 OD stainless steel rod. The stem of the assembly installs into a stainless steel floor socket. End caps are ribbed, press fit polyethylene. Set screws hidden from view hold the horizontal tube securely in place.

The SSB has a #4 satin finish.

OPTIONS

90° AND 135° CORNERS

90° and 135° corners are available.

SHIPPING AND SITE PREPARATION

SHIPPING

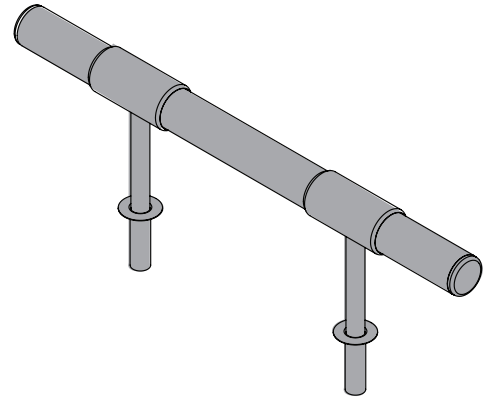
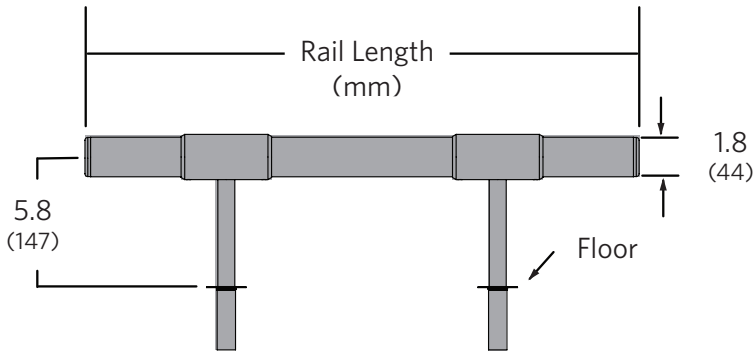
Rail, feet end caps and hardware come packaged and are field assembled.

SITE PREPARATION

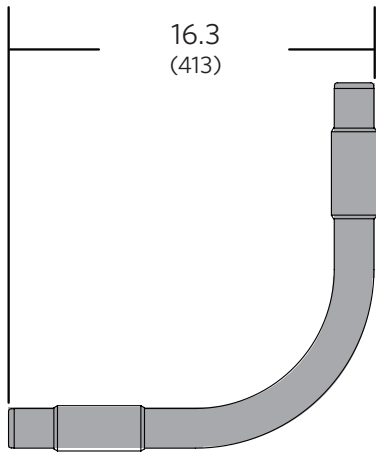
The SSB installs on level concrete. A skilled installer should perform the installation, in consultation with the owner or end user, following safe practices and the installation guidelines that come with the product.

TECHNICAL DIMENSIONS

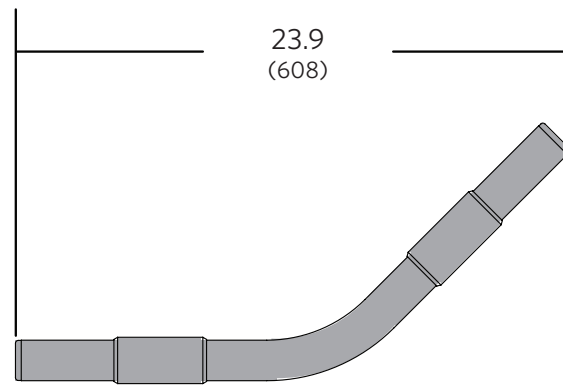
Dimensions are shown in inches (mm). All measurements are approximate.



90° AND 135° CORNER OPTIONS



90° Corner



135° Corner

Length and Weight						
Available Lengths	1' (305 mm)	2' (610 mm)	3' (914 mm)	4' (1219 mm)	5' (1524 mm)	6' (1829 mm)
Shipping Weight	5 lbs. (2.3 kg)	6 lbs. (2.7 kg)	7 lbs. (3.2 kg)	8 lbs. (3.6 kg)	11 lbs. (5.0 kg)	12 lbs. (5.4 kg)
Available Lengths (cont.)	7' (2134 mm)	8' (2438 mm)	9' (2743 mm)	10' (3048 mm)	11' (3353 mm)	12' (3658 mm)
Shipping Weight (cont.)	14 lbs. (6.4 kg)	15 lbs. (6.8 kg)	17 lbs. (7.7 kg)	19 lbs. (8.6 kg)	21 lbs. (9.5 kg)	22 lbs. (10 kg)
Available Lengths (cont.)	90° Corner	135° Corner				
Shipping Weight (cont.)	6 lbs. (2.7 kg)	5 lbs. (2.3 kg)				



WARRANTY

For a period of one year from the date of shipping, Alvarado will replace or repair, at Alvarado's option, any products or parts which are defective in materials or workmanship, provided recommended installation and maintenance procedures are followed. This warranty is void if damage is due to improper installation, maintenance or use. This warranty is limited to parts only, and does not cover labor or shipping charges incurred in connection with the removal or replacement of warranted products or parts.

This warranty is expressly made in lieu of any and all other warranties, expressed or implied, including, but not limited to implied warranties of merchantability and fitness for a particular purpose. Alvarado shall not be liable for any loss or damage, directly or indirectly, arising from the use of purchased products. In no event shall Alvarado be liable to buyer for consequential damages, special damages, incidental damages, loss of use, business interruption, loss of profits, or damages of any kind arising out of the use or inability to use a purchased product. In NO event shall Alvarado be liable for damages which exceed the purchase price of a covered product.

