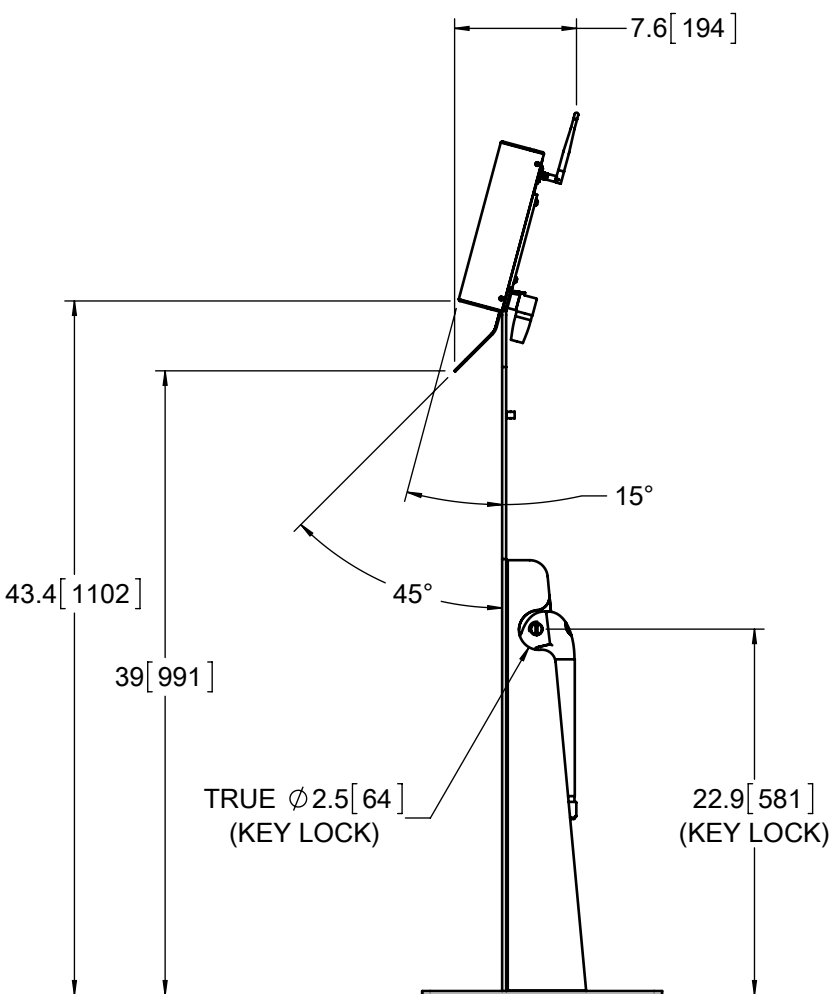
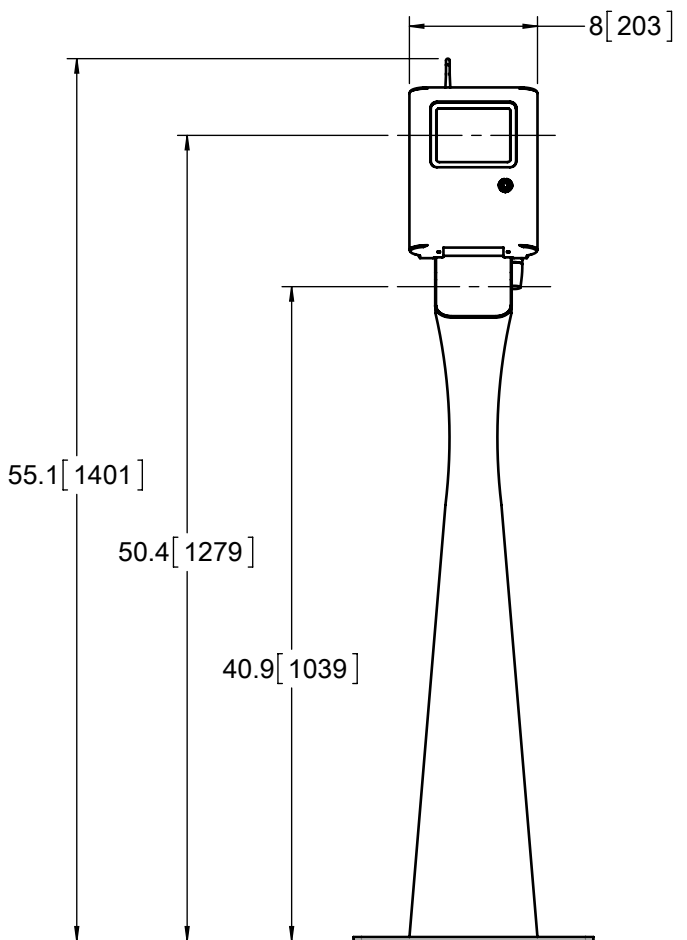
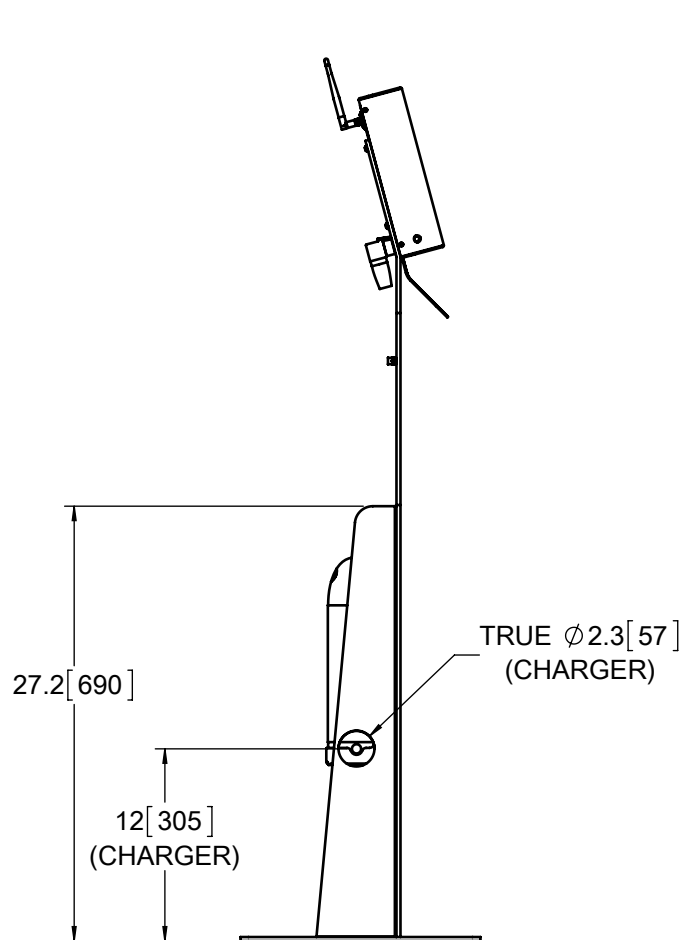
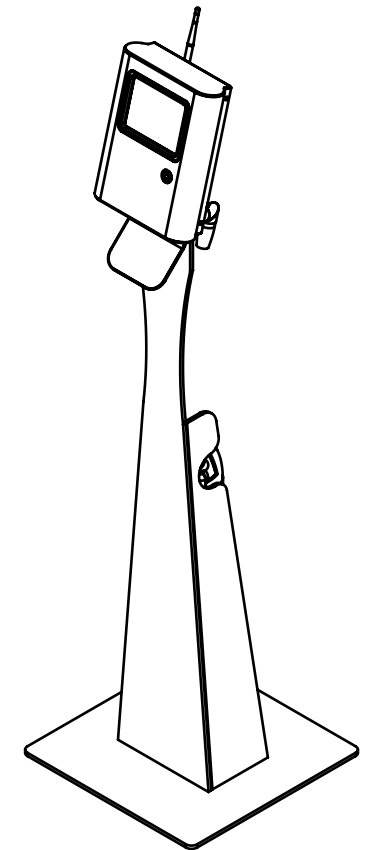
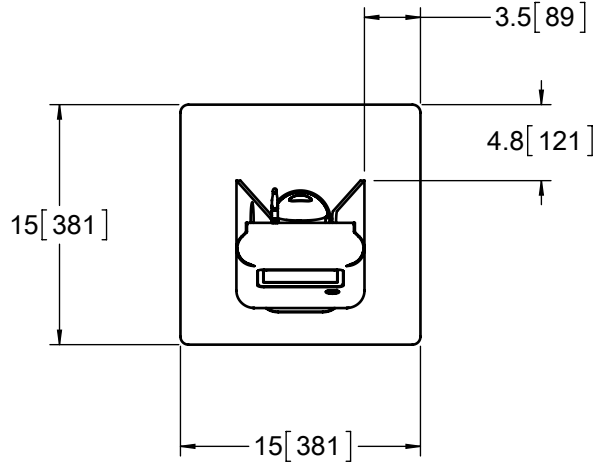


REVISIONS			
REV.	DESCRIPTION	DATE	BY
1	INITIAL DRAWING RELEASE	5/10/2016	RGM



NOTES:
 1. ALL DIMENSIONS ARE APPROXIMATE AND IN INCHES [mm].

THIRD ANGLE PROJECTION

PROPRIETARY AND CONFIDENTIAL
 THE INFORMATION CONTAINED IN THIS DRAWING IS THE SOLE PROPERTY OF ALVARADO MANUFACTURING INC. ANY REPRODUCTION IN PART OR AS A WHOLE WITHOUT THE WRITTEN PERMISSION OF ALVARADO MANUFACTURING INC. IS PROHIBITED.

DO NOT SCALE DRAWING

ALVARADO
 Alvarado Mfg. Co. Inc.
 12660 Colony Street, Chino, CA 91710
 909.591.8431 - 909.628.1403 (Fax)
 www.alvaradomfg.com

TITLE:
INTRAQ PEDESTAL

	NAME	DATE	SIZE	DWG. NO.	REV
DRAWN	RGM	5/10/2016	B	PEF-611	1
CHECKED					
ENGR	RPL	5/10/2016	SCALE: 1:12	SHEET 1 OF 1	