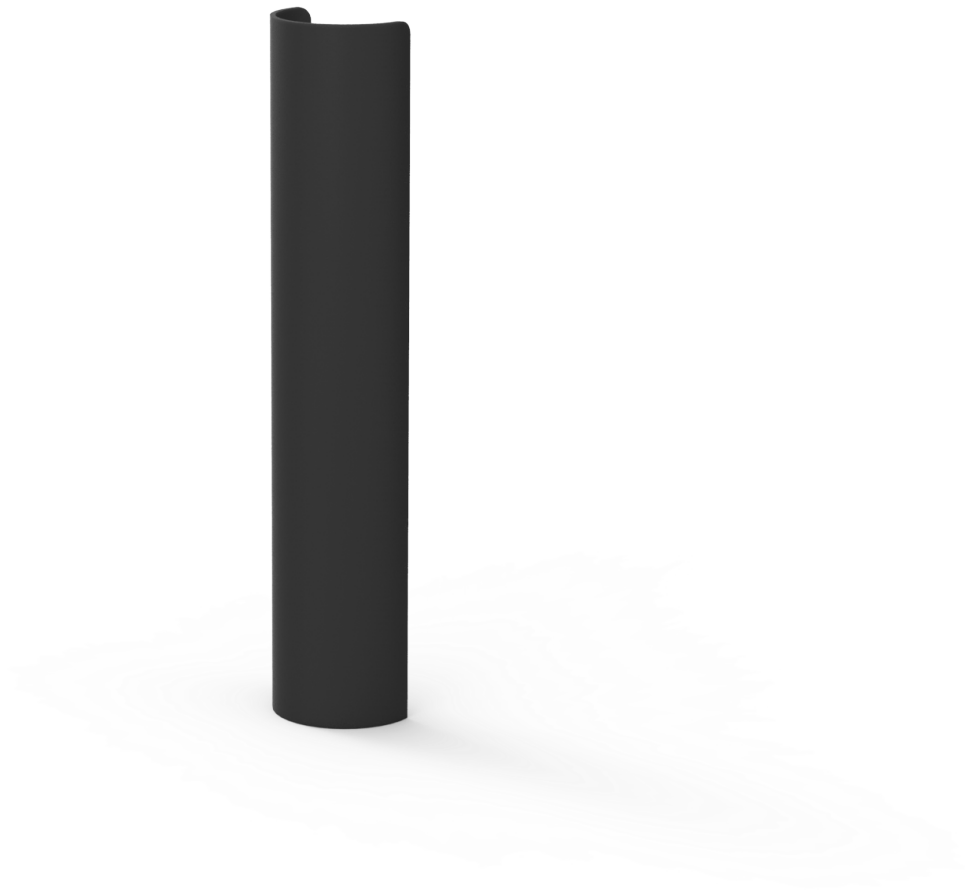


DM

Corner Guard

The DM is a fixed installed corner guard that protects fixtures and cases in grocery and retail stores. It also provides light duty protection for racking and similar fixtures in warehouses.



TYPICAL INSTALLATION SITES

- Supermarkets
- Retail Stores
- Warehouse Stores
- Home Improvement Centers
- Specialty Stores
- EAS Antenna Protection

FUNCTION

The DM is a corner guard that protects fixtures and cases from impact damage caused by floor scrubbers, shopping carts, pallet jacks and stocking carts. A tight bend radius and a recessed mounting flange allows the DM to install close to fixtures, saving valuable floor space.

AVAILABLE HEIGHTS

The DM is available in a 24" height.

MATERIALS AND FINISHES

The DM is fabricated from 7-gauge steel and is available in a black gloss powder coat finish. The included anchor package consists of two (2) wedge anchors.

SHIPPING AND SITE PREPARATION

SHIPPING

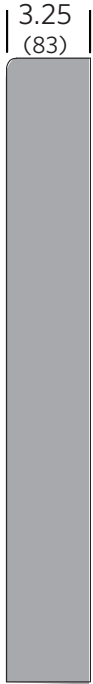
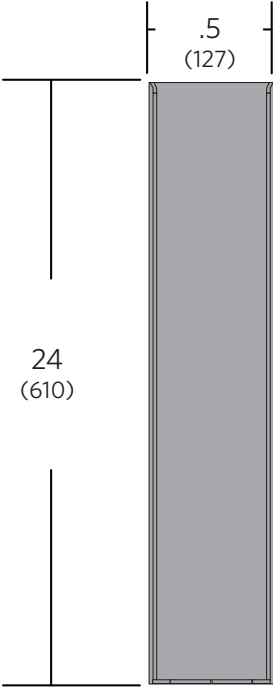
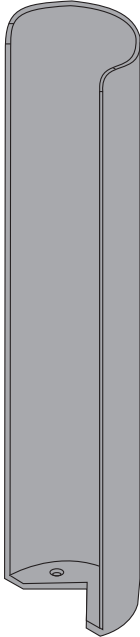
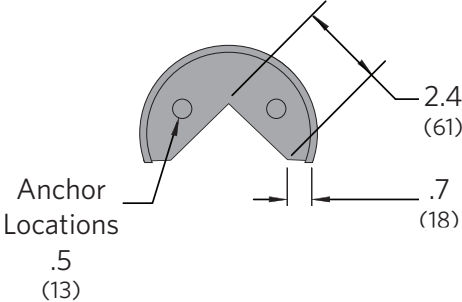
DMs are shipped with anchor hardware.

SITE PREPARATION

The DM installs on level concrete. A skilled installer should perform the installation, in consultation with the owner or end user, following safe practices and the installation guidelines that come with the product.

TECHNICAL DIMENSIONS

Dimensions are shown in inches (mm). All measurements are approximate.



Weight	
Product Weight	12 lbs. (5.4 kg)
Shipping Weight*	24 lbs. (10.9 kg)

*Shipping weight includes 2 DMs and 2 anchor packages per box.

WARRANTY

For a period of one year from the date of shipping, Alvarado will replace or repair, at Alvarado's option, any products or parts which are defective in materials or workmanship, provided recommended installation and maintenance procedures are followed. This warranty is void if damage is due to improper installation, maintenance or use. This warranty is limited to parts only, and does not cover labor or shipping charges incurred in connection with the removal or replacement of warranted products or parts.

This warranty is expressly made in lieu of any and all other warranties, expressed or implied, including, but not limited to implied warranties of merchantability and fitness for a particular purpose. Alvarado shall not be liable for any loss or damage, directly or indirectly, arising from the use of purchased products. In no event shall Alvarado be liable to buyer for consequential damages, special damages, incidental damages, loss of use, business interruption, loss of profits, or damages of any kind arising out of the use or inability to use a purchased product. In NO event shall Alvarado be liable for damages which exceed the purchase price of a covered product.

