

## CSG

The CSG is a highly versatile self-closing, non-locking, pedestrian gate that can be field configured to swing either bi-directionally or in a single direction (either entry or exit). The CSG is suitable for all types of pedestrian flow control applications. The gate opens easily with minimal force. A reliable, gravity-assisted, closure brings the gate arm smoothly back to the closed position.

CSG gates provide 36" of passage width and can be installed stand-alone, or in conjunction with Alvarado's modular post and rail and/or turnstiles. Railing outlets can be added to the hinge post to accept Alvarado 1.75" railing. Addition of an optional latch and latch post allows the gate to be secured when closed.

The CSG is fabricated from cold rolled steel with a bright chrome finish.



## Common Applications

- Supermarkets
- Liquor and Convenience Stores
- Schools and Libraries
- Amusement Parks
- Airports

## Why Alvarado?

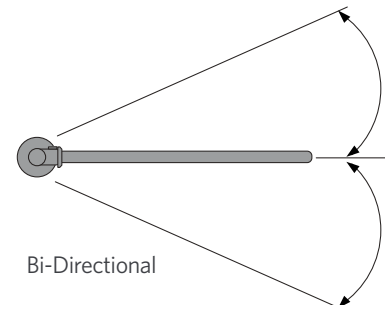
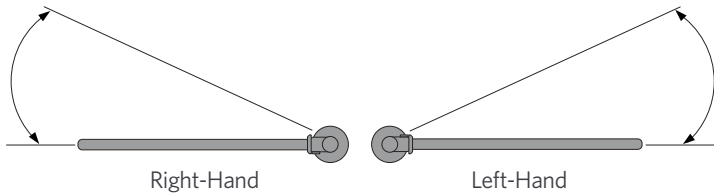
Alvarado is America's leading entry control products manufacturer. Founded in 1956, Alvarado turnstiles and gates are installed in thousands of locations throughout the world. Our superior product quality, integration expertise and industry

leading service and support are just a few reasons that many of the world's most respected companies use our products again and again.

## Key Features

- Field Configurable Swing Direction . . . . . Field configurable to swing in a single direction or bi-directionally.
- Wide Opening . . . . . Provides a wide 36" passage width.
- Easy to Open . . . . . Gate opens with less than 3 lbs. of force.
- Smooth Closing . . . . . Reliable gravity-assisted closure closes the gate smoothly.
- Attach Signs . . . . . Gate cross straps are spaced to accept 8"H x 12"W signs.
- Integrates with Other Alvarado Products . . . . . Install post outlets on gate and/or use with Alvarado, modular post and railing and turnstiles.

## Field Configurable Swing Patterns



## Options

**Post Outlets** - Optional rail outlets can be added to the gate hinge-post to accept Alvarado 1.75" railing. Post outlets may be ordered factory-installed.

**Latch and Latch Post** - Addition of an optional latch and latch post allows the gate to be secured when closed.

## Resources

Alvarado's knowledgeable staff understands that many customers do not deal with pedestrian gates on a regular basis. We offer assistance and technical expertise to ensure the best solution is selected for your facility.

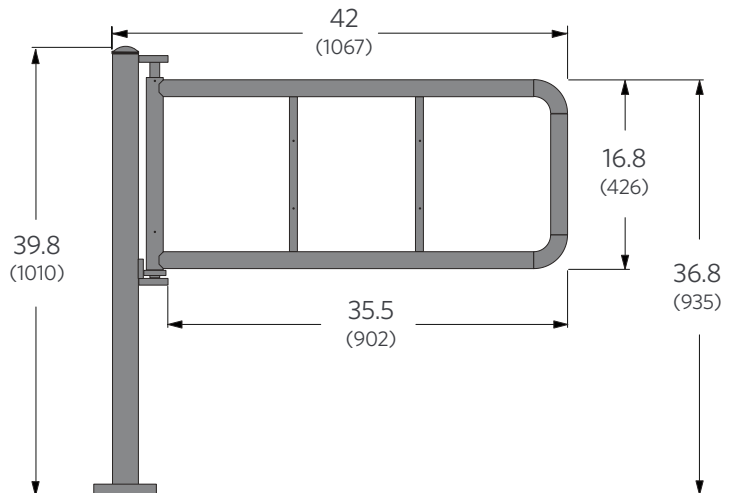
Additional information, including detailed specifications, installation manuals, CAD drawings, and application images can be found online.

## Complementary Products

Our post and rail, as well as our turnstiles are ideal companions to our pedestrian gates. They can fill gaps in your installation, direct pedestrians and provide an integrated appearance.



## Dimensions



Dimensions shown in inches (mm).