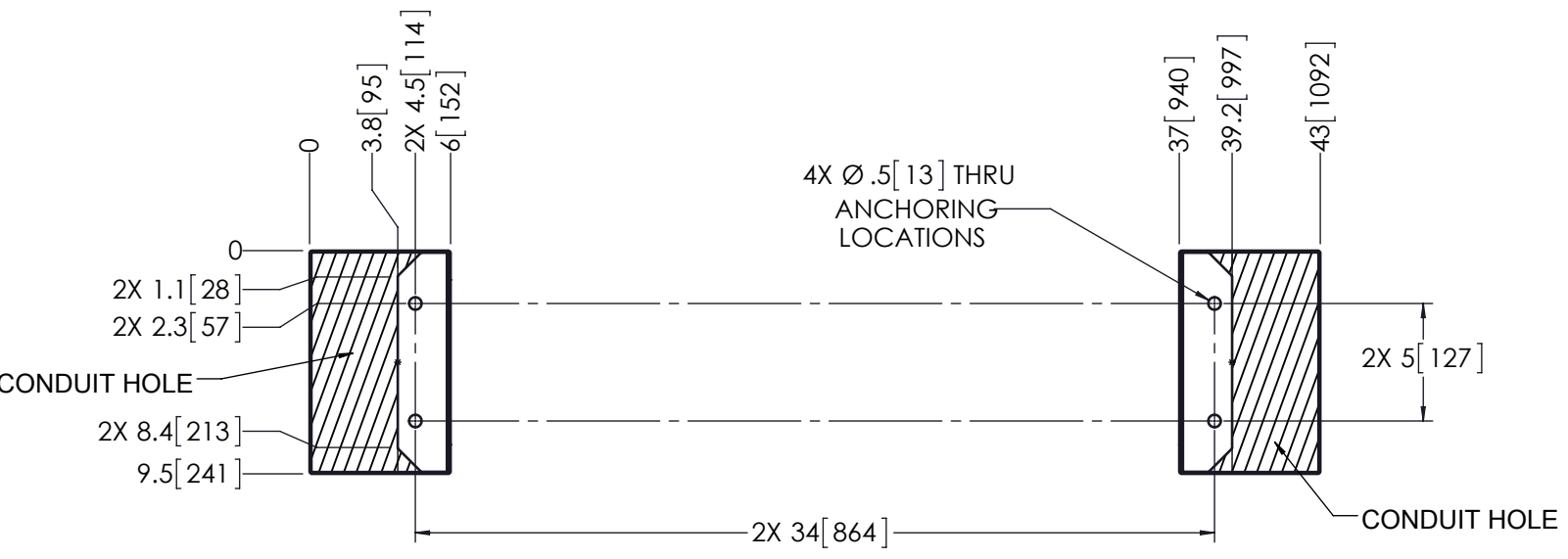
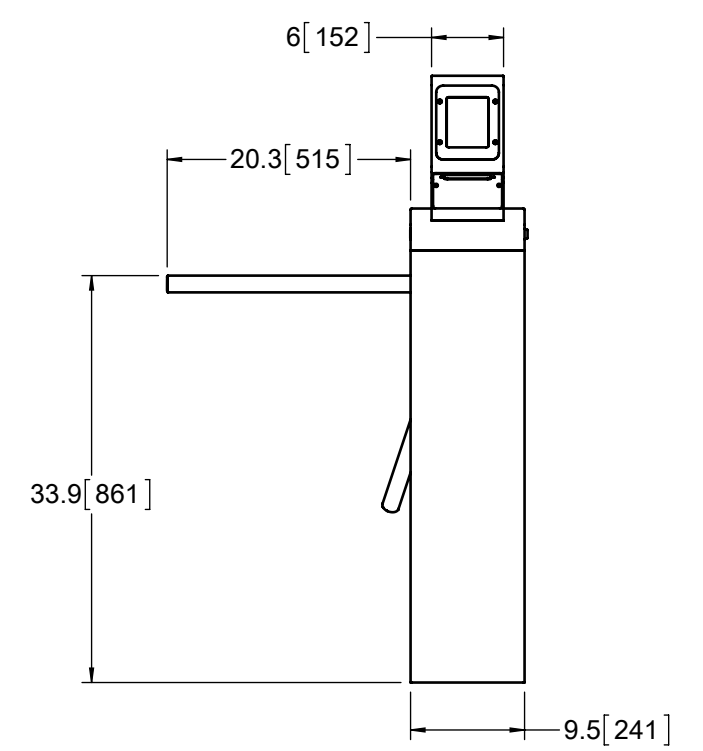
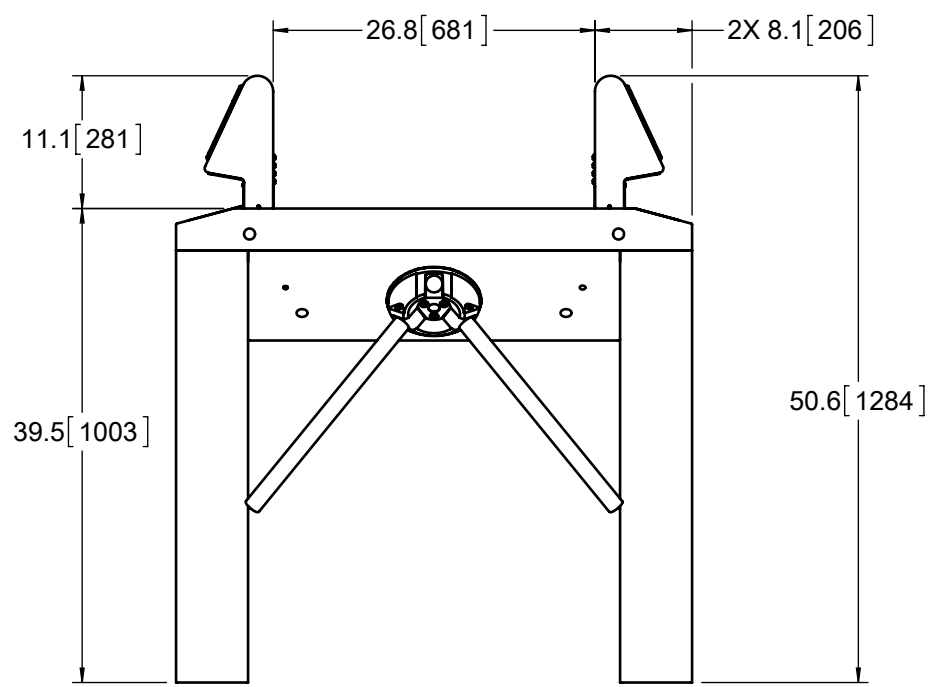
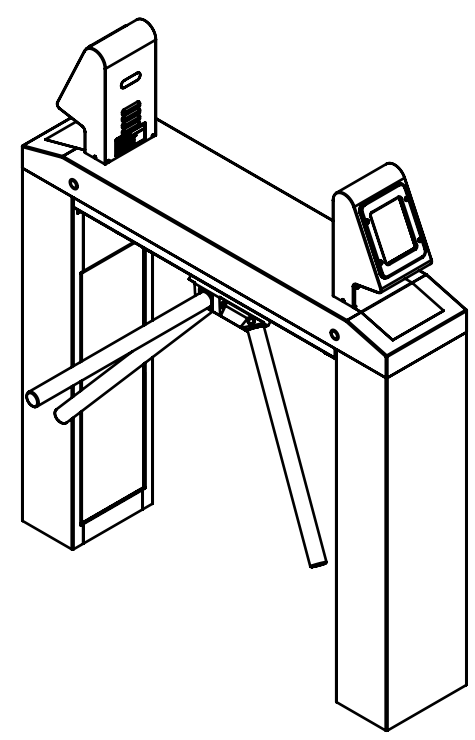
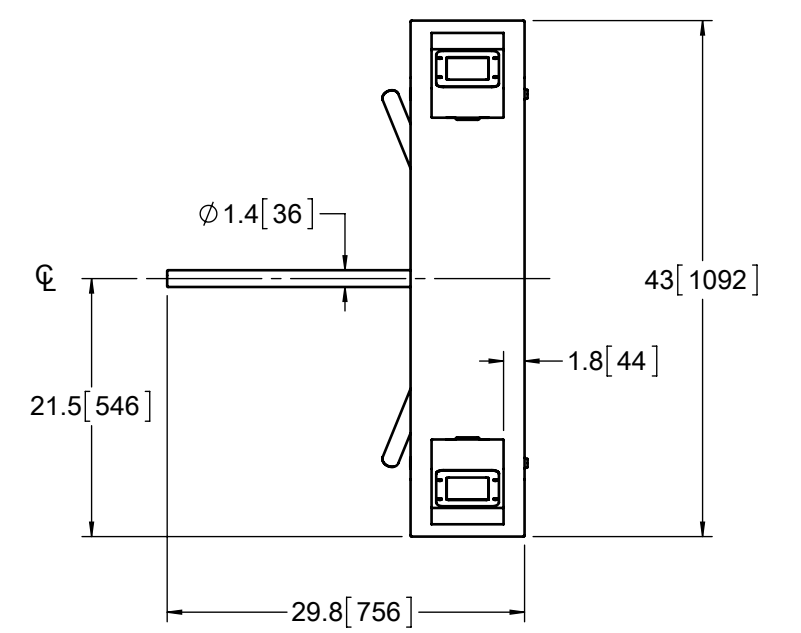


8 7 6 5 4 3 2 1

D
C
B
A



EDMS
SECTION A-A
DO NOT SCALE



- NOTES:
1. ALL DIMENSIONS ARE APPROXIMATE AND IN INCHES [mm].
 2. EACH CABINET SHOULD BE MINIMUM 6" FROM WALL TO ALLOW FOR SERVICING.

THIRD ANGLE PROJECTION

 PROPRIETARY AND CONFIDENTIAL
 THE INFORMATION CONTAINED IN THIS DRAWING IS THE SOLE PROPERTY OF ALVARADO MANUFACTURING INC. ANY REPRODUCTION IN PART OR AS A WHOLE WITHOUT THE WRITTEN PERMISSION OF ALVARADO MANUFACTURING INC. IS PROHIBITED.
 DO NOT SCALE DRAWING

ALVARADO
 12660 Colony Street, Chino, CA 91710
 909.591.8431 - 909.628.1403 (Fax)
 www.alvaradomfg.com

TITLE:
DTAS12-EDMS, RIGHT HAND, AC FIXED

	NAME	DATE	SIZE	DWG. NO.	REV
DRAWN	RGM	12/30/2016	B	PEF-686	A
CHECKED					
ENGR	RPL	12/30/2016	SCALE: 1:16	SHEET 1 OF 1	

8 7 6 5 4 3 2 1