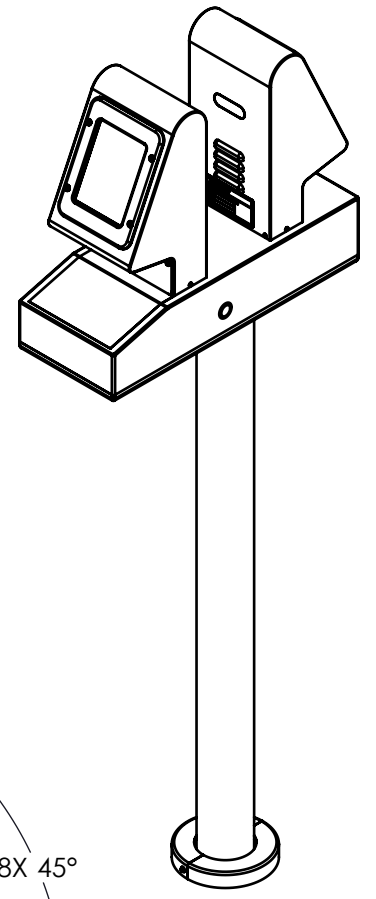
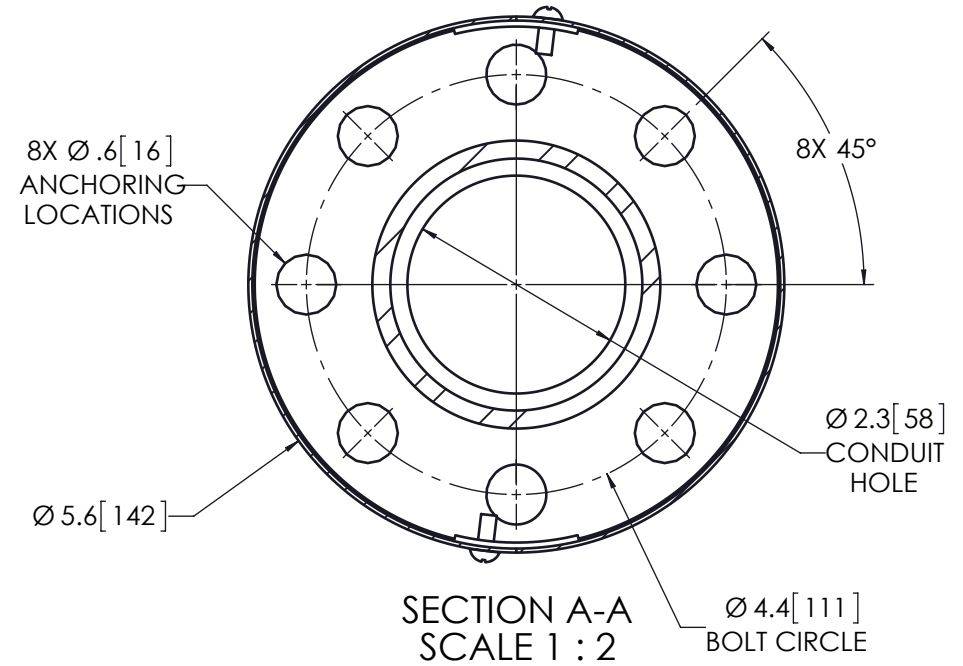
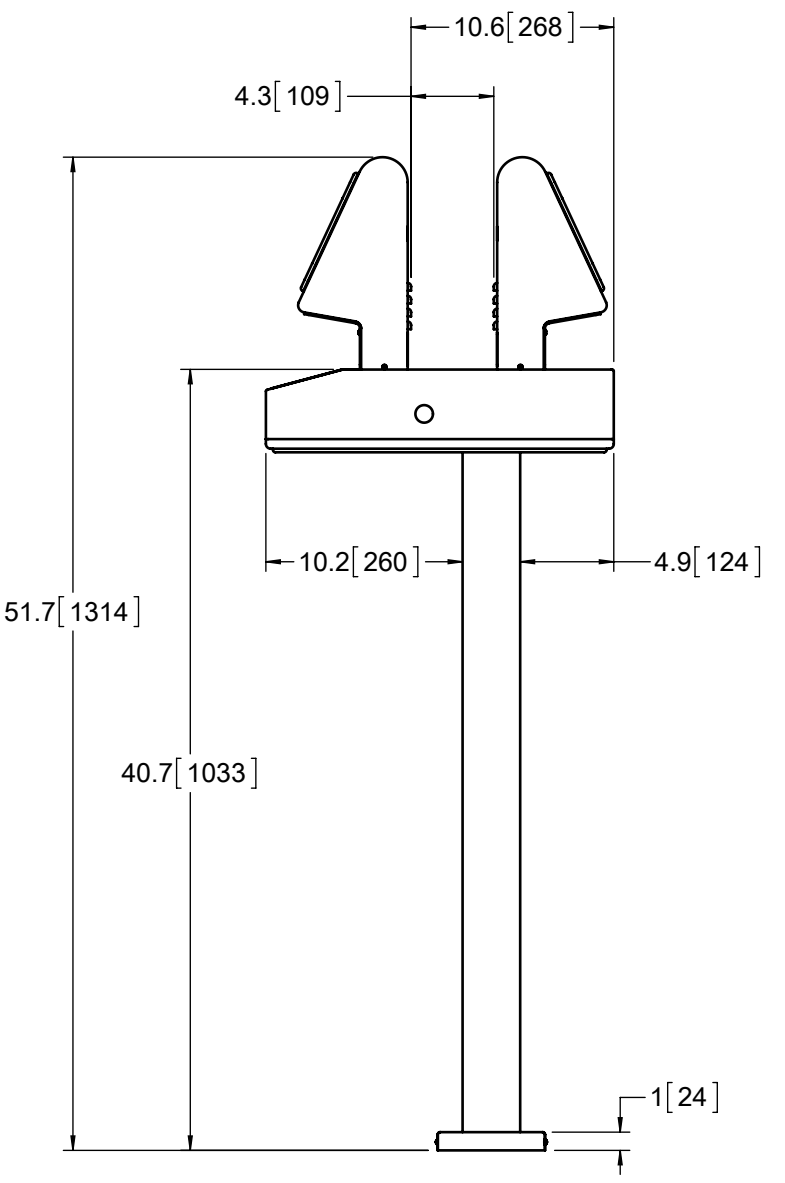
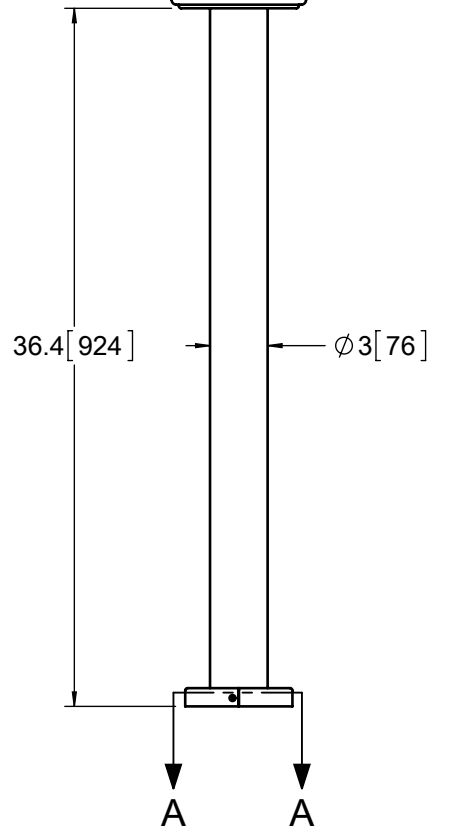
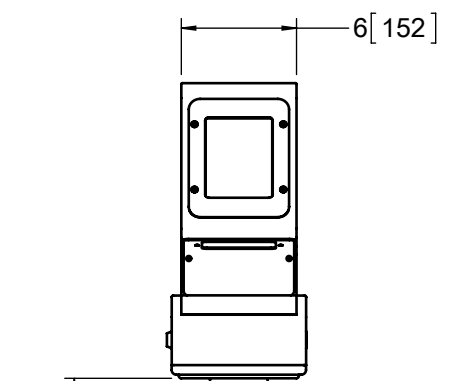
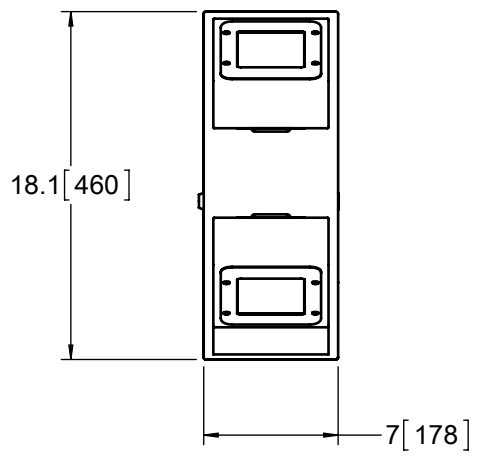


8 7 6 5 4 3 2 1

D
C
B
A

D
C
B
A



NOTES:
1. ALL DIMENSIONS ARE APPROXIMATE AND IN INCHES [mm].

THIRD ANGLE PROJECTION

 PROPRIETARY AND CONFIDENTIAL
 THE INFORMATION CONTAINED IN THIS DRAWING IS THE SOLE PROPERTY OF ALVARADO MANUFACTURING INC. ANY REPRODUCTION IN PART OR AS A WHOLE WITHOUT THE WRITTEN PERMISSION OF ALVARADO MANUFACTURING INC. IS PROHIBITED.
 DO NOT SCALE DRAWING

ALVARADO
 Alvarado Mfg. Co. Inc.
 12660 Colony Street, Chino, CA 91710
 909.591.8431 - 909.628.1403 (Fax)
 www.alvaradomfg.com

TITLE:
TAS12-AS2

	NAME	DATE	SIZE	DWG. NO.	REV
DRAWN	RGM	9/30/2015	B	PEF-540	A
CHECKED					
ENGR	RPL	9/30/2015	SCALE: 1:10		SHEET 1 OF 1

8 7 6 5 4 3 2 1