

# Space Saver Post

## Modular Post and Rail

Alvarado's Space Saver modular post and railing systems are suitable for a wide variety of applications. The Space Saver post has a small diameter base, making it ideal for applications where floor space is limited. The Space Saver modular post and rail is typically used in conjunction with our turnstiles and gates, to control patron and shopping cart access. In other applications, it is used to segment off areas or to create permanent queuing lines. Posts come with factory installed outlets in various configurations. Loose rails are available in various sizes or long lengths that can be cut to size in the field.



### TYPICAL INSTALLATION SITES

- Supermarkets
- Retail Stores
- Food Service Areas
- Other Public Access Facilities

### COMMON APPLICATIONS

- Patron Entry/Exit Control
- Permanent Queuing Lines
- Loss Prevention



FUNCTION

Space Saver modular post and railing systems direct pedestrian and shopping cart traffic in stores and other facilities. Other typical uses include permanent queue lines and controlling access to segmented areas.

Space Saver posts install using a single 0.625" diameter all-thread anchor rod that extends down the interior of the post, connecting to a 2.75" long x 1" diameter double expansion anchor (shown right).



AVAILABLE HEIGHTS

The Space Saver post is available in a 35" (889mm) height.

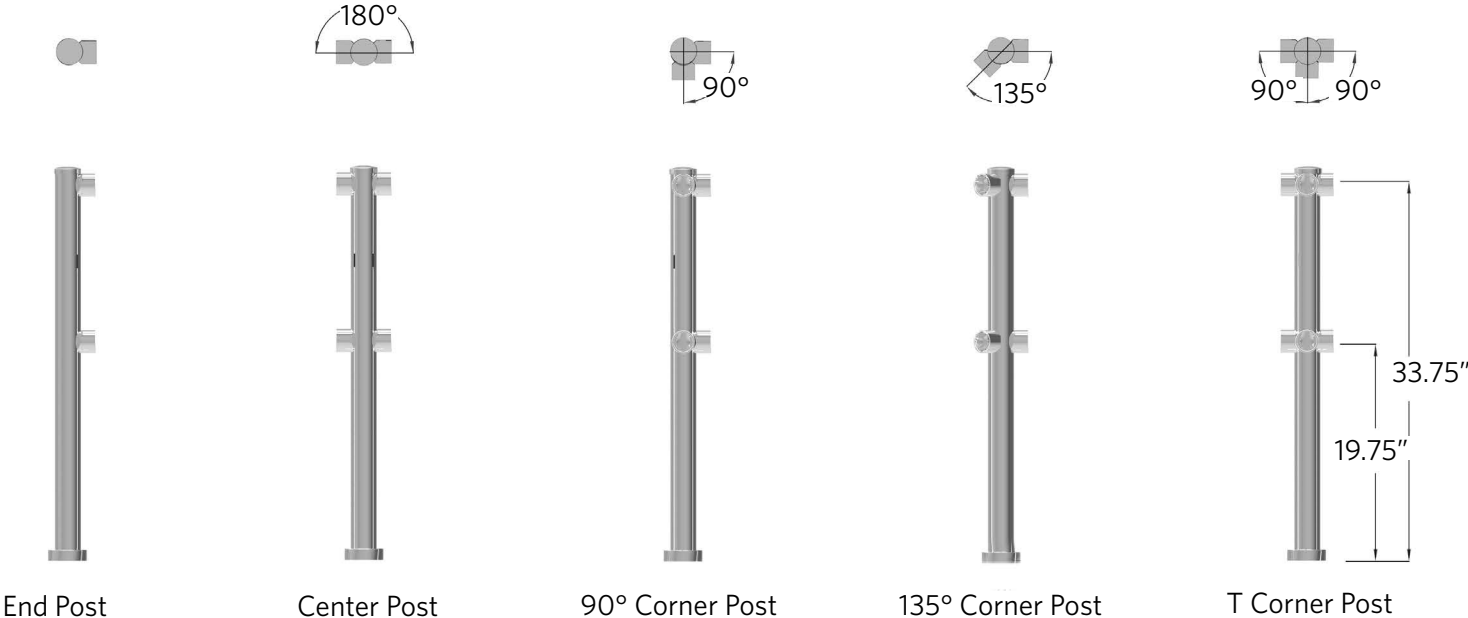
MATERIALS AND FINISHES

The Space Saver post is a 2.25" OD tube made from 16-gauge steel with a 3.5" diameter anchoring flange welded at the base. A base cover and post cap are included with each post. The posts are available in bright chrome, stainless steel (satin and mirror finish) and powder coat colors.

CONFIGURATIONS

Rail outlets are factory installed on the post to accept 1.75" OD horizontal rails (sold separately). Rails are 16-gauge steel and are available in bright chrome, stainless steel (satin and mirror finish) and powder coat colors. Available rail lengths are described in the Options section. Rail outlets can be installed in double rail configurations. See below for all factory installed rail outlet configurations. Separate outlets can be purchased and field installed if required.

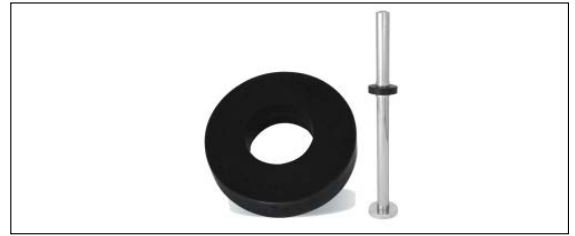
35" DOUBLE RAIL



## OPTIONS

### POST BUMPER GUARD

A plastic post bumper guard (shown right) attaches to any 2.25" OD post to safeguard posts and equipment from impact damage. The bumper guard has a 5.5" OD and includes two set rings for securing at a specified height (shown right).



### WALL FLANGE

The wall flange allows 1.75" OD horizontal railing to attach directly to walls or fixtures, eliminating the need for a post when space is limited. The wall flange is available in bright chrome (shown right) and custom powder coat finishes.



### HORIZONTAL RAILING

Rails are available in lengths from 1' to 6' in 3" increments (e.g., 12", 15", 18", 21"). Rails in lengths of 84", 96" and 120" are also available.

## SHIPPING AND SITE PREPARATION

### SHIPPING

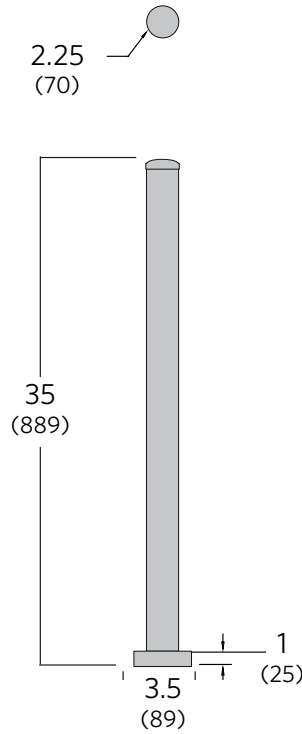
The Space Saver post ships one per box. Horizontal railing is packaged separately and quantity per box varies based on order.

### SITE PREPARATION

The Space Saver post installs on level concrete. A skilled installer should perform the installation, in consultation with the owner or end user, following safe practices and the installation guidelines that come with the product.

### TECHNICAL DIMENSIONS

Dimensions are shown in inches (mm). All measurements are approximate.



Height and Weight*	
Product Height	35"
Product Weight	6 lbs. (2.7 kg)
Shipping Weight	7 lbs. (3.2 kg)

\*Product weight does not include rail outlets. Shipping weight accounts for 1 Space Saver post per box.

### WARRANTY

For a period of one year from the date of shipping, Alvarado will replace or repair, at Alvarado's option, any products or parts which are defective in materials or workmanship, provided recommended installation and maintenance procedures are followed. This warranty is void if damage is due to improper installation, maintenance or use. This warranty is limited to parts only, and does not cover labor or shipping charges incurred in connection with the removal or replacement of warranted products or parts.

This warranty is expressly made in lieu of any and all other warranties, expressed or implied, including, but not limited to implied warranties of merchantability and fitness for a particular purpose. Alvarado shall not be liable for any loss or damage, directly or indirectly, arising from the use of purchased products. In no event shall Alvarado be liable to buyer for consequential damages, special damages, incidental damages, loss of use, business interruption, loss of profits, or damages of any kind arising out of the use or inability to use a purchased product. In NO event shall Alvarado be liable for damages which exceed the purchase price of a covered product.

