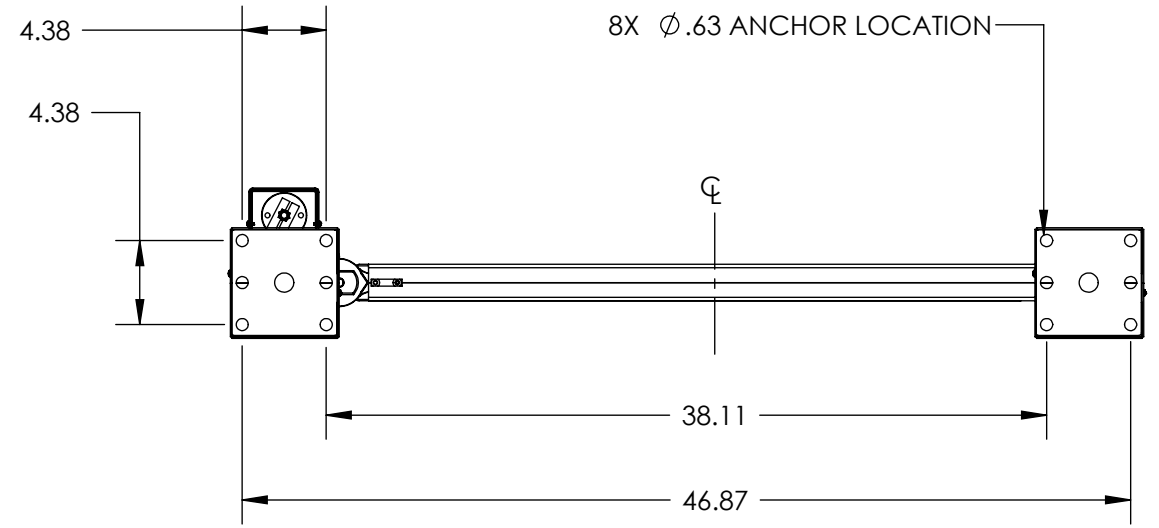
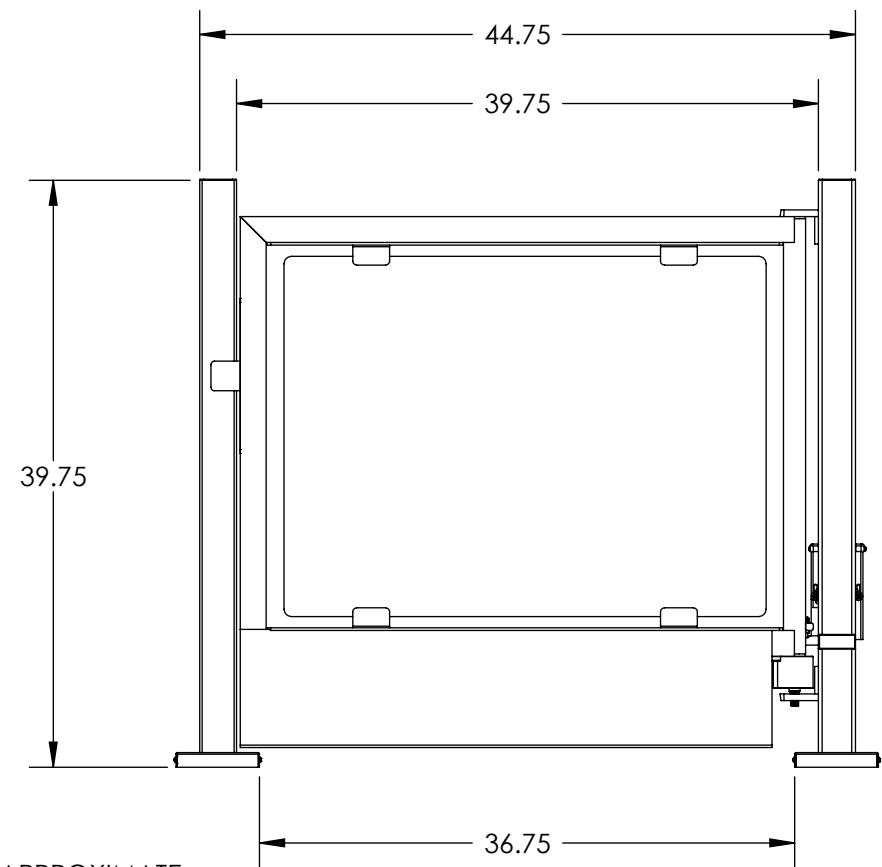
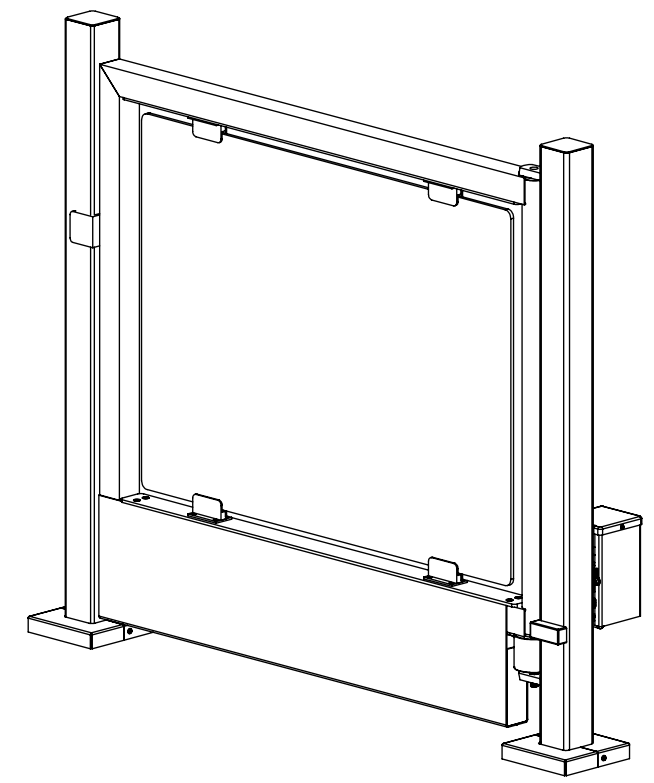
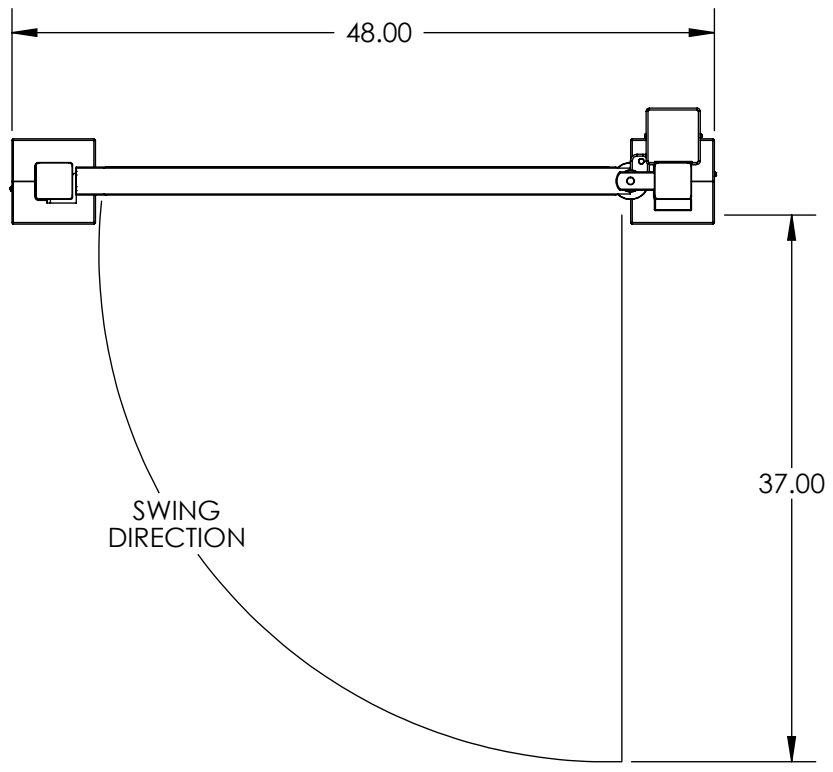


8 7 6 5 4 3 2 1

D
C
B
A



- NOTES:
1. ALL DIMENSIONS ARE APPROXIMATE.
 2. VSG-1 SHOWN IN LEFT HAND SWING CONFIGURATION. ALSO AVAILABLE IN A RIGHT HAND SWING CONFIGURATION.
 3. MODEL SHOWN WITH ACRYLIC PANEL. ALSO AVAILABLE WITH VERTICAL BARS.

ENGR DR

ALVARADO MFG.CO.INC.
 12660 COLONY STREET, CHINO, CA. 91710

PROPERTY NOTICE: NO USE WITHOUT PRIOR WRITTEN CONSENT

VSG-1 - PLAN, ELEVATION, & FOOTPRINT
[ACRYLIC PANEL]

SIZE	NUMBER	DATE
B	PEF-068	2/5/2010
SCALE: 1:10		UNLESS OTHERWISE SPECIFIED DIMENSIONS ARE IN INCHES
		SHEET 1 OF 1

8 7 6 5 4 3 2 1