

Quick Queue

Retractable Belt Stanchion

The Quick Queue line of retractable belt stanchions provide a portable, competitively priced, crowd control solution suitable for almost any application.



Wall Mounted Retractable Belt Stanchions

TYPICAL INSTALLATION SITES

- Retail Stores
- Transportation Facilities
- Entertainment Facilities
- Hospitality and Food Service
- General Queueing Applications



FUNCTION

Quick Queue retractable belt stanchions provide portable queuing solutions for all types of environments. Belts connect to adjacent stanchions in one of three orientations providing very flexible queuing solutions. Belts are available in both 7' and 13' lengths and are secured in place with Alvarado's unique anti-tamper belt locking system.

AVAILABLE CONFIGURATIONS

Stanchion	7' and 13' Belt Lengths
Wall Attached	8' and 13' Belt Lengths

AVAILABLE POST AND BASE FINISHES

Stanchions are available in black powder coat, mirrored stainless steel, satin stainless steel or brass plated finishes. Custom powder coat finishes are available. Please contact Alvarado for more information. Wall attached retractable belt barriers are only available in black powder coat and mirrored stainless steel.

AVAILABLE BELT COLORS

Belts are available in a number of standard colors. Custom colors can be provided. Please contact Alvarado for more information.

MATERIALS

The post is powder coated steel or stainless steel. The belt mechanism is housed inside the tube for protection. Belts are a durable nylon weave. Belt attachment points and belt end clips are injection molded nylon plastic.

OPTIONS

CUSTOM COLORS

Post and base can be powder coated in customer selected colors.

13' BELT LENGTH SIGN FRAMES

7" x 11" sign frames in either portrait or landscape orientation are available in both a chrome and black powder coat finish.



7' BELT LENGTH PIVOTING SIGN FRAMES

7" x 11" sign frames in either portrait or landscape orientation are available in both a chrome and black powder coat finish. This sign frame has a ratcheting mechanism that allows the frame to be rotated and locked into place in one of eight positions. Available in bright chrome or black powder coat finish.



SIGNS FOR 7" X 11" FRAMES

Signs for 7" x 11" frames are available in both portrait and landscape orientation.



LARGE SIGN FRAMES

Large sign frames are available 14.5"W x 10.25"H in either a bright chrome or brass plated finish. Customers provide their own signs for Large Sign Frames. Available only on Quick Queue 7' belt retractable stanchions.



FIXED BASE ADAPTER

Allows stanchions to be permanently anchored into the floor, perfect for areas with ongoing traffic flow that require regular pedestrian control. The 5.5" wide base flange secures to the floor with concrete anchors to provide a stable, fixed stanchion (includes base cover to conceal the adapter). Available only on Quick Queue 7' belt retractable stanchions.



REMOVABLE FIXED BASE ADAPTER

Ideal for areas that need to remove fixed installed stanchions. Removable base adapters fit perfectly into Alvarado's core drilled sockets (included). Also includes a base cover to conceal the adapter. When not in use, a drop-in plug (included) caps the socket opening. Available only on Quick Queue 7' belt retractable stanchions.



MERCHANDISING BOWLS

Created from durable, clear acrylic. Merchandising bowl measures nearly 6" in depth and 14" in diameter. Excellent for displaying product in lines and near registers to increase sales or to simply hold giveaways. Available for both the Quick Queue 7' and 13' retractable belt stanchions.

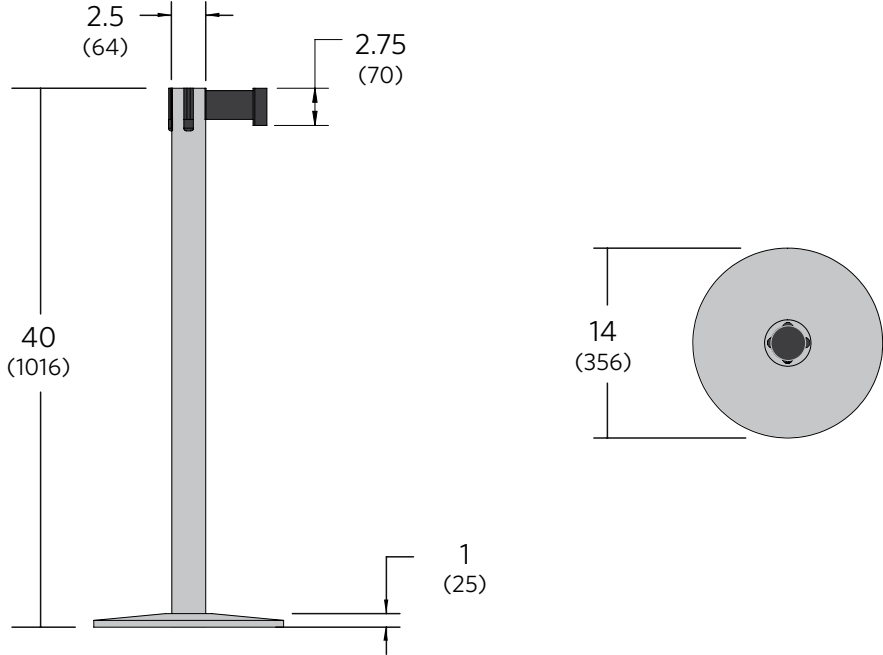


SHIPPING

Quick Queue products are shipped with assembly and operational instructions.

TECHNICAL DIMENSIONS

Dimensions are shown in inches (mm). All measurements are approximate.



Shipping Weight			
Quick Queue 7'	Quick Queue 13'	Quick Queue 7'	Quick Queue 13'
47 lbs.	48 lbs.	21.3 kg	21.8 kg

WARRANTY

For a period of one year from the date of shipping, Alvarado will replace or repair, at Alvarado's option, any products or parts which are defective in materials or workmanship, provided recommended installation and maintenance procedures are followed. This warranty is void if damage is due to improper installation, maintenance or use. This warranty is limited to parts only, and does not cover labor or shipping charges incurred in connection with the removal or replacement of warranted products or parts.

This warranty is expressly made in lieu of any and all other warranties, expressed or implied, including, but not limited to implied warranties of merchantability and fitness for a particular purpose. Alvarado shall not be liable for any loss or damage, directly or indirectly, arising from the use of purchased products. In no event shall Alvarado be liable to buyer for consequential damages, special damages, incidental damages, loss of use, business interruption, loss of profits, or damages of any kind arising out of the use or inability to use a purchased product. In NO event shall Alvarado be liable for damages which exceed the purchase price of a covered product.

