

# GST

## Crowd Control Turnstile

The GST is a single direction four-arm turnstile that provides entry access and pedestrian directional control in public environments. The curved arm design provides an impediment to pedestrians attempting to duck under the turnstile arms in the wrong direction.



### TYPICAL INSTALLATION SITES

- Grocery and Retail Stores
- Warehouses
- Food Service Areas
- Other Public Access Facilities

## FUNCTION

The GST turnstile is a four-arm turnstile that is suitable for use in supermarkets, retail stores, food service areas and other public access facilities. The curved arm design offers an added measure of security against wrong-way or crawl-under pedestrian traffic.

The turnstile's horizontal arms require less than 1 lb. of pressure to move and a no-slip clutch provides smooth, silent, single direction rotation. The turnstile provides approximately 20" of passage width.

## AVAILABLE CONFIGURATIONS

The GST includes turnstile, yoke, horizontal rails and posts (as shown on cover page). The turnstile is set for clockwise rotation when shipped, but can be easily changed to counter-clockwise rotation in the field.

## AVAILABLE FINISHES

The GST comes in a bright chrome finish.

## MATERIALS

### TURNSTILE HEAD ASSEMBLY

The turnstile head assembly consists of a 3.5" OD by 0.38" thick steel tube drilled to accept four turnstile arms. The turnstile arms are fit into the head and welded from the back so that no weld seams are visible. The turnstile head contains the clutch assembly and securely attaches to the top of the turnstile post.

### CLUTCH ASSEMBLY

The clutch assembly allows one direction operation in either a clockwise or counter-clockwise direction.

### TURNSTILE ARMS

The turnstile arms are constructed from 1.5" OD x 16-gauge steel tubing. The end of each arm contains a press fit plastic cap.

### POSTS

The turnstile post, yoke post and end post are constructed from 2.25" OD x 16-gauge steel tubing. The bottom ends of the posts contain a 5.5" OD flange with holes for anchoring. Each post comes with a flange cover. A rail outlet is attached to the turnstile post and end post to accept the included horizontal rail. The lower horizontal rail is a 1.75" OD x 16-gauge steel railing piece that secures into the turnstile post and end post. The sleeve yoke is constructed from two pieces of bent 1.5" OD x 16-gauge steel tubing welded to a 2.35" ID center sleeve. The center sleeve contains two holes that allow attachment of the sleeve yoke to the yoke post.



## OPTIONS

### FACTORY ATTACHED RAIL OUTLETS

Railing outlets can be added to the yoke post and end post to allow the attachment of Alvarado 1.75" OD railing.

## SHIPPING AND SITE PREPARATION

### SHIPPING

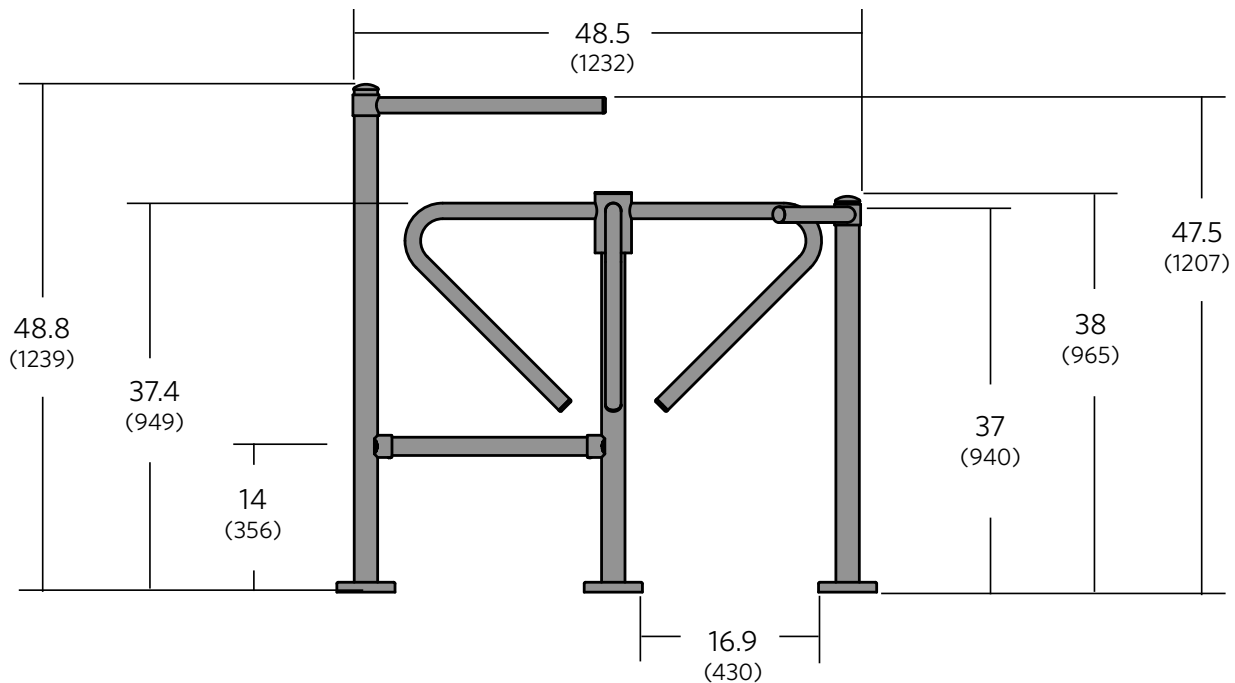
The GST turnstile is shipped ready for installation. Anchoring hardware is available, but not included.

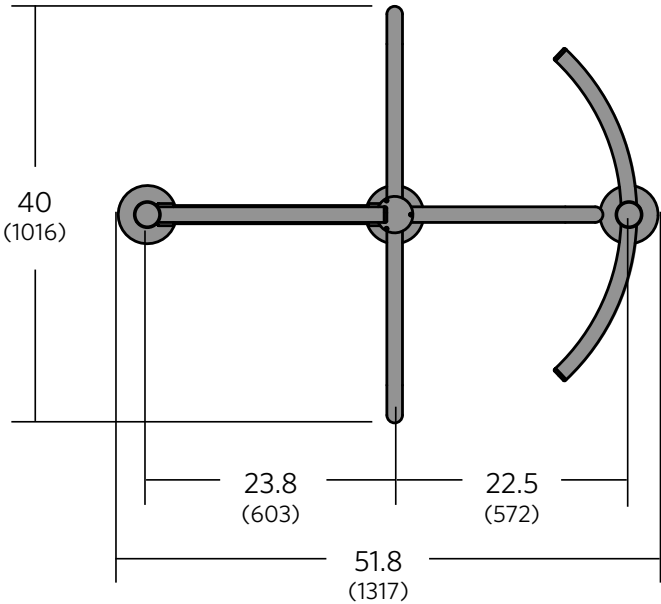
### SITE PREPARATION

The GST must be installed on a firm foundation. The slab platform should be a minimum of 4" deep, level concrete. Installation should be performed by a skilled installer following Alvarado's instructions. Drawings and installation manuals are available online.

## TECHNICAL DIMENSIONS

Dimensions are shown in inches (mm). All measurements are approximate.





Weights			
Product Weight	58 lbs.	26 kg;	
Shipping Weight	112 lbs.	51 kg;	Shipping box and pallet Included

WARRANTY

For a period of one year from the date of shipping, Alvarado will replace or repair, at Alvarado’s option, any products or parts which are defective in materials or workmanship, provided recommended installation and maintenance procedures are followed. This warranty is void if damage is due to improper installation, maintenance or use. This warranty is limited to parts only, and does not cover labor or shipping charges incurred in connection with the removal or replacement of warranted products or parts.

This warranty is expressly made in lieu of any and all other warranties, expressed or implied, including, but not limited to implied warranties of merchantability and fitness for a particular purpose. Alvarado shall not be liable for any loss or damage, directly or indirectly, arising from the use of purchased products. In no event shall Alvarado be liable to buyer for consequential damages, special damages, incidental damages, loss of use, business interruption, loss of profits, or damages of any kind arising out of the use or inability to use a purchased product. In NO event shall Alvarado be liable for damages which exceed the purchase price of a covered product.

