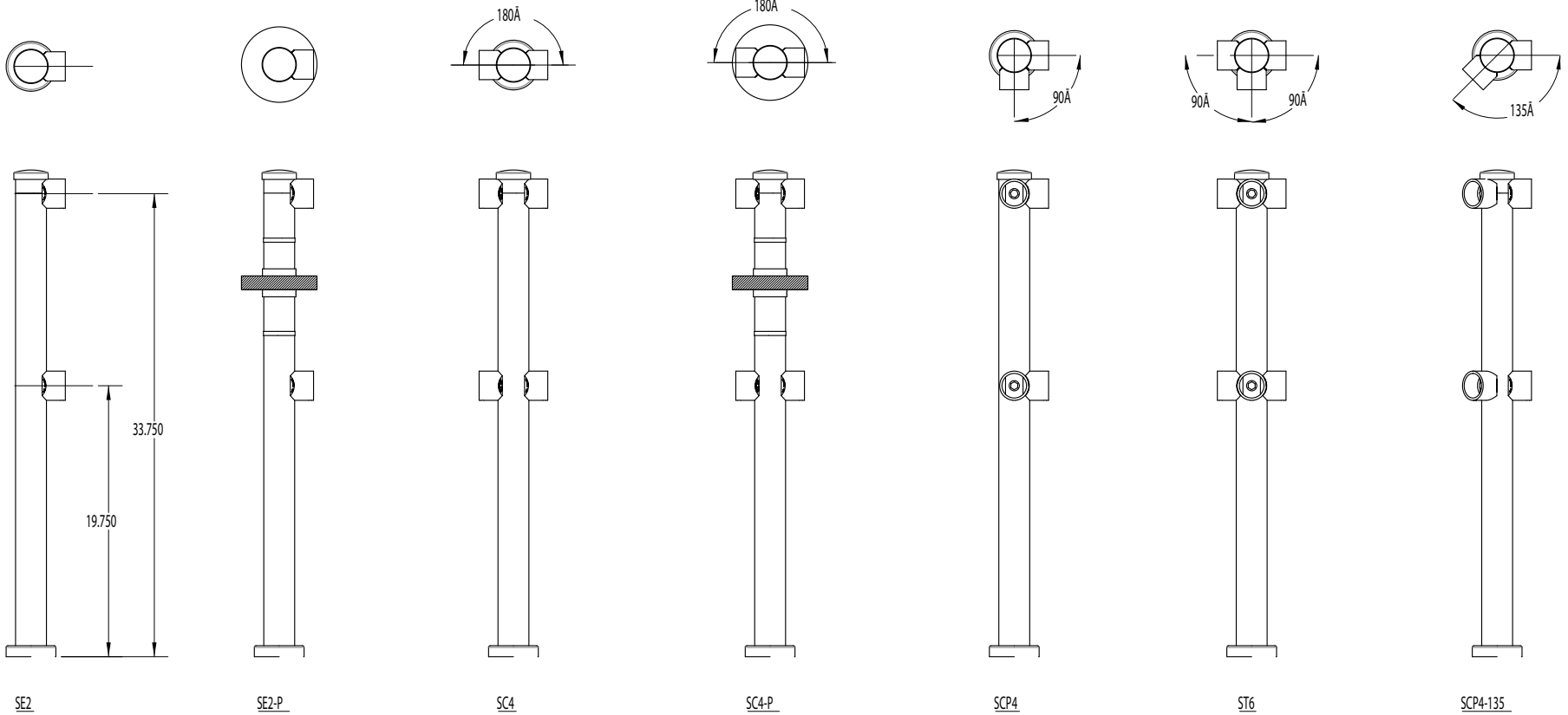


REVISIONS			
REV.	DESCRIPTION	DATE	BY
A	INITIAL RELEASE	10/05/11	GM



- NOTES:
1. SHOWN COMPLETELY INSTALLED
  2. BELOW GROUND ANCHORING NOT SHOWN

PROPERTY AND CONFIDENTIAL  
 THE INFORMATION CONTAINED IN THIS  
 DRAWING IS THE SOLE PROPERTY OF  
 ALVARADO MANUFACTURING INC. ANY  
 REPRODUCTION IN PART OR AS A WHOLE  
 WITHOUT THE WRITTEN PERMISSION OF  
 ALVARADO MANUFACTURING INC. IS  
 PROHIBITED.

SEE TABLE (SHEET 2)	SEE TABLE (SHEET 2)	SEE TABLE (SHEET 2)
PART NO.	MATERIAL	FINISH
UNLESS OTHERWISE SPECIFIED: DIMENSIONS ARE IN INCHES		
MACHINED TOLERANCES: ANGULAR: ± 1 Å XX = ± .010 (254mm) XXX = ± .005 (127mm)		
SHEET METAL TOLERANCES: ANGULAR: ± 2 Å XX = ± .030 (762mm) XXX = ± .010 (254mm)		
E.A.R. #	5346	
DO NOT SCALE DRAWING		
TITLE: 35" SPACE SAVER POST OUTLET CONFIGURATION		
DRAWN	GM	10/05/11
CHECKED		
ENGR	GM	10/05/11
NAME	DATE	SIZE
GM	10/05/11	B
DWG. NO.	REV	
MA114681	A	
SCALE: 1:8	SHEET 1 OF 5	