



POST & RAIL

Alvarado modular Post & Rail can create virtually any railing configuration for queuing, cart corrals and much more. All post and rail is available in a chrome, polished stainless steel and satin stainless steel.

Combining posts and railing with Alvarado turnstiles and gates is a very inexpensive and highly effective method of channeling customers and reducing shrinkage in retail applications.

Our **Vogue posts** are the industry standard, and are available in both double and triple rail configurations, and include a 5.5" decorative mounting flange cover.

Space Saver posts are available in a double rail configuration, and include a 3.5" decorative mounting flange cover.

Our railing is 1.75" OD, and is available in a variety of lengths, or may be cut to match specific installation requirements.

TYPICAL INSTALLATION SITES

- Supermarkets
- Warehouse Stores
- Home Improvement Centers
- Specialty Stores

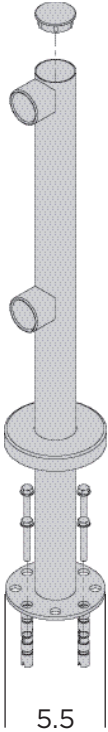


Why Alvarado?

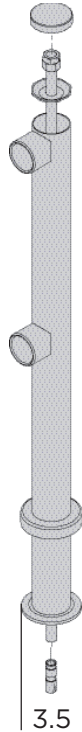
Alvarado is the leading manufacturer of asset protection products. Since its founding in 1956, Alvarado equipment has been installed in thousands of locations throughout the world.

Our superior product quality, integration expertise and industry leading service and support are just a few reasons that many of the world's most respected companies use our products again and again.

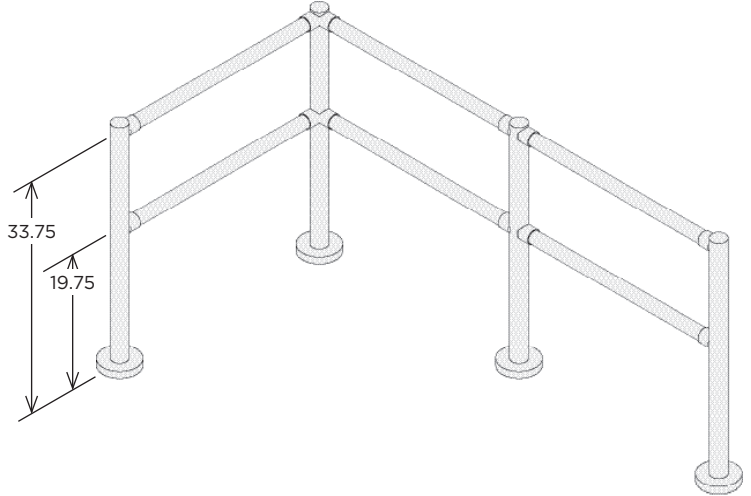
VOGUE* POSTS



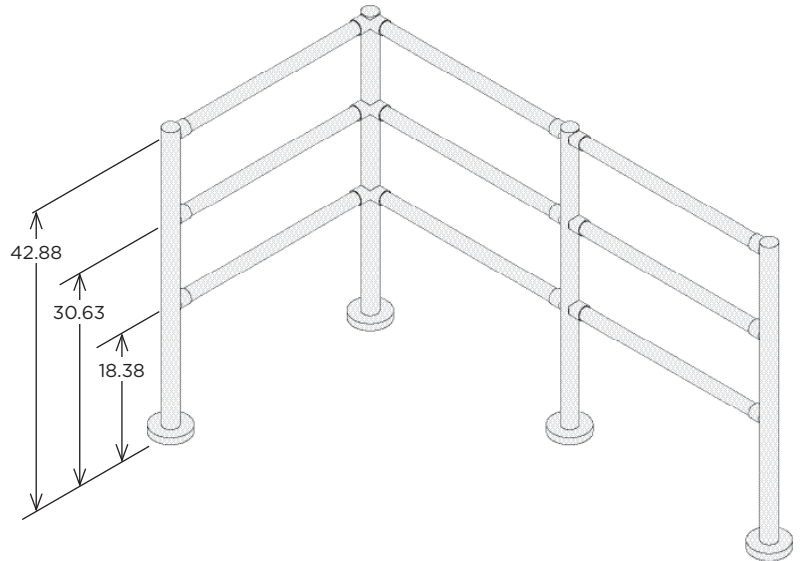
SPACE SAVER POSTS



DOUBLE RAIL CONFIGURATION (35" - Vogue and Space Saver posts available)



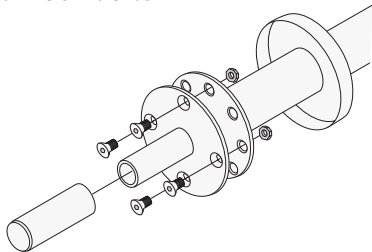
TRIPLE RAIL CONFIGURATION (44" - Vogue posts only)



* Vogue shown as double. Also available as triple.

REO KIT

Our REO anchoring kit makes any Vogue post removable. Kit attaches to Vogue post base with four bolts.



Other configurations are available, such as our 48" cart passage. Contact Alvarado for details.

All dimensions shown in inches.

OPTIONS

Post bumper guards are available to protect Alvarado post and rail.



RESOURCES

Alvarado's knowledgeable staff understands that many customers do not deal with queuing and public entry products on a regular basis. We offer expert assistance and technical expertise to ensure the best solution is selected for your facility.

Additional information, including detailed specifications, installation manuals, CAD drawings, and application images can be found online.