

Vogue & Space Saver: Post & Rail - Installation Instructions



Notice:

Installers and/or Store Personnel must provide this document to the manager or person responsible for the maintenance and use of the product. Read the Installation Instructions completely before installation of the product. If there are any questions, call Alvarado at (909) 591-8431 or toll free at (800) 423-4143, Monday through Friday, 6:00 AM to 4:30 PM PST. The following steps assume that no modifications have been made to the product and that it's ready for installation on level concrete.

Materials Enclosed:

Vogue Post

1. Vogue Post
2. Post Cap
3. Base Cover
4. *SB-14 4 Way Anchor Package (Not Enclosed. Ordered Separately)*

Space Saver Post

1. Space Saver Post
2. Post Cap
3. Base Cover *Not included with Space Saver SSP Post*
4. Post Cup
5. Center Shaft
6. SA Anchor

Railings

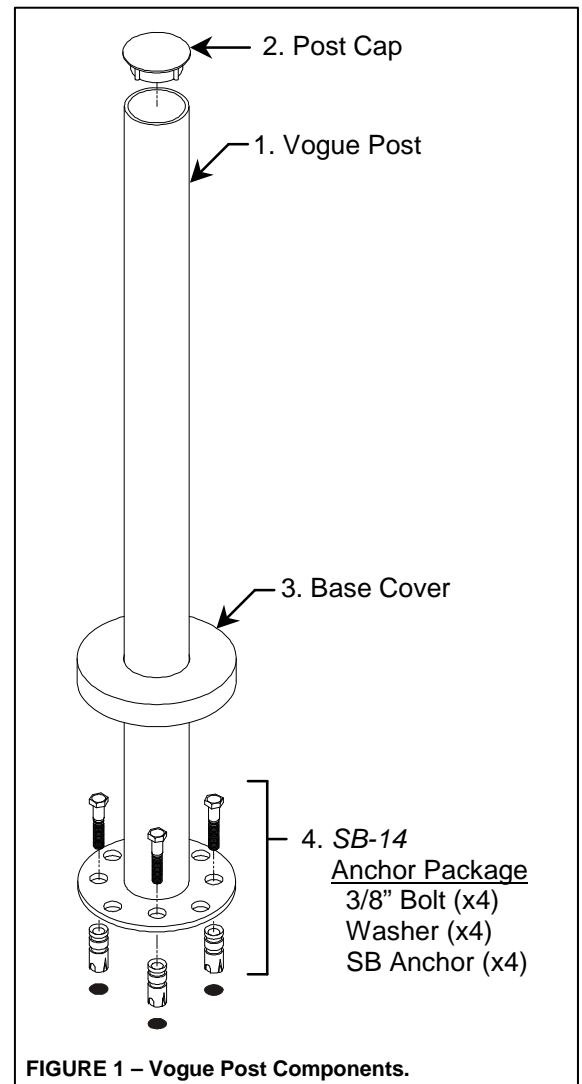
1. Rails
(Varies with Length)
2. Set Screw
(2 Per Rail)

Tools Required:

- Hammer Drill & Shop VAC
- 5/8" Drill Bits with 9/16" Socket (*SB Anchoring*)
- 1" Drill Bits with 15/16" Socket (*SA Anchoring*)
- 1/8" Allen Wrench
- Rubber Mallet
- Tape Measure
- Marker

Follow the Instructions to Anchor a Vogue Post:

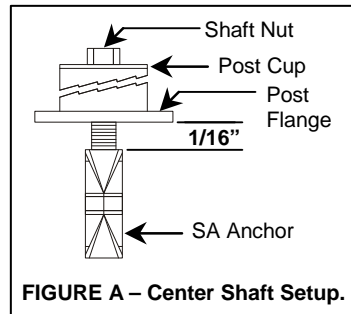
1. Snap a chalk line on the floor in the desired location(s) of the Vogue Post(s) to determine the proper centerline of the Posts. A tile line may be substituted for the chalk line.
2. Mark the center of each Post's location along the centerline. **With Outlets:** Use the length of the rail ordered, plus 3" to compensate for the center to center dimension, to determine the correct distance between each Post. **It is important that this is done accurately.**
3. Place a Post on each marked position so that its center is aligned with the mark. **With Outlets:** Rotate the Post so that the Railing Outlets are positioned in the desired direction. Mark the locations of the four outer anchor holes; equally spacing them apart.
4. Using an Impact Drill and a 5/8" Drill Bit, drill a minimum 3" deep hole at the center of each of the four marked outer anchor locations. **Vacuum ALL dust and debris from each hole. If this is not done correctly, the anchors will not seat properly.**
5. Place a SB Anchor, thread side down, in each hole. Make sure the top of the anchor is flush with the floor.
6. Reposition the Post and align the holes on the floor with those on the flange. Insert a 3/8" Bolt and Washer through the Post Flange into each of the SB Anchors. Check that the Post is straight and level. Tighten the 3/8" Bolts to 20 ft-lbs. torque. **With Outlets:** Insert any Rails into the appropriate outlets.
7. **With Outlets:** Using the 1/8" Allen Wrench, insert the Set Screws into the bottom of each Rail Outlet and tighten the railing into place.



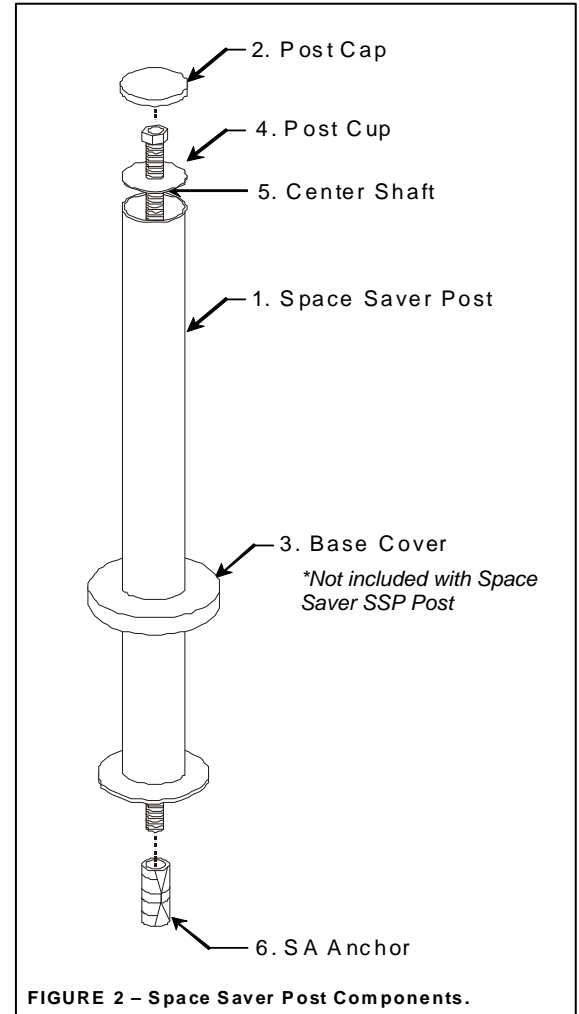
Follow the Instructions to Anchor a Space Saver (SSP) Post:

1. Snap a chalk line on the floor in the desired location(s) of the Post(s) to determine the proper centerline of each Post. A tile line may be substituted for the chalk line.
2. Mark the center of each Post's location along the centerline. **With Outlets:** Use the length of rail ordered, plus 3" to compensate for the center to center dimension, to determine the correct distance between each Post. **It is important that this is done accurately.**
3. Using the Impact Drill and a 1" Drill Bit, drill a minimum 3" deep hole at the center marks. **Vacuum ALL dust and debris from each hole. If this is not done correctly, the anchors will not seat properly.**

4. Place the Post Cup, curved upward, into the top of the Post. Insert the Center Shaft through the Post Cup until the Shaft Nut is flush with the Post Cup. Screw the 1" SA Anchor, thread side down, to the Center Shaft. **NOTE: Do not fully tighten anchor to the shaft. Leave approximately 1/16" between anchor and flange.**



5. Place the anchor attached to the shaft and post in the hole. Lightly tap the top of the Shaft Nut, while supporting the weight of the Post, to insert the anchor down the hole. **With Outlets:** Rotate the Post so that the Railing Outlets are positioned in the desired direction.
6. Check that the Post is straight, level and in its final, desired location, tighten the Center Shaft to 80 ft-lbs. torque. **With Outlets:** Insert any Rails into the appropriate outlets.
7. Using a Rubber Mallet, place the Post Cap over the Post Cup, tap evenly around edges of the cap to secure. **NOTE: Tap gently to prevent denting the post cap.**
8. **With Outlets:** Using the 1/8" Allen Wrench, insert the Set Screws into the bottom of each Rail Outlet and tighten the railing into place.

**Maintenance:**

Follow the instructions below for the corresponding finish:

Chrome:

Use a general all-purpose cleaner with a soft cloth.

Stainless Steel:

Use a Stainless Steel polish or cleaner. If a heavy scratch or mark is apparent, use a metal blend or finish pad for Satin Finishes.

Powder Coat:

Use a soft damp cloth. Any deep scratches or chips should be touched up to prevent rust.

(If rust is untreated, rust will spread under the surface of the material.)

Replace any sharp, bent, or broken pieces IMMEDIATELY.

Tighten any loose pieces IMMEDIATELY.

Warranty:

Alvarado Manufacturing Company warrants the equipment being sold against defects in material and workmanship, for the period of one (1) year from the date of purchase, providing recommended installation and maintenance procedures are followed. This warranty is void if damage was due to improper installation, maintenance, or use. The manufacturer will not be responsible for any shipping or labor charges incurred in the removal or replacement of defective parts.