

Vogue to Zenith Installation Instructions

Converting a Vogue to Zenith Style Post

Precautions: Read this installation guide in its entirety before installing posts. If there are any questions, call Alvarado at 909-591-8431 or 800-423-4143, Monday through Friday, 6:00 AM to 4:30PM PST.

Installation

Materials Enclosed

- Vogue Post
- Vogue Post
- Post Cap
- Base Cover

- Zenith Conversion Kit
- Post Cap
- Post Cup
- Center Shaft
- Anchor Package

Tools Required

- Chalk Line
- Tape Measure
- Hammer Drill
- 5/8" Concrete Drill Bit
- 1" Concrete Drill Bit
- Ratchet
- 9/16" Socket
- 15/16" Socket
- Torque Wrench
- Shop Vac

Materials Required

- SB 14 4-Way Anchor Package

NOTE: Vogue Posts and Zenith Conversion Kits are shipped separately. The following steps assume that no modifications have been made to the products, have never been installed, and are ready for installation on level concrete. Instructions for Vogue Posts with railing outlets are shown in Italic Font.

- 1) Snap a chalk line on the floor in the desired location(s) of the Vogue post(s) to determine the proper centerline of each post. A tile line may be substituted for the chalk line.
- 2) Mark the center of each post's location along the centerline. ***With Outlets:*** Use the length of the rail ordered, plus 3" to compensate for the center to center dimension, to determine the correct distance between each post. **It is important that this is done accurately.**
- 3) Using an impact drill and a 1" drill bit, drill a minimum 3" deep hole at the center marks. **Vacuum ALL dust and debris from each hole. If this is not done correctly, the anchors will not seat properly.**

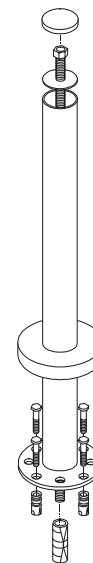


Figure 1: Vogue Post Converted to Zenith Post

4) Insert the Post Cup, curved upward, into the top of the Vogue Post. Insert the Center Shaft through the cup until it reaches the bottom of the post. Screw the 1" SA anchor, thread side down, to the Center Shaft. **Note:** Do not fully tighten anchor to shaft. Leave approximately 1/16" between the anchor and flange (See Figure 2).

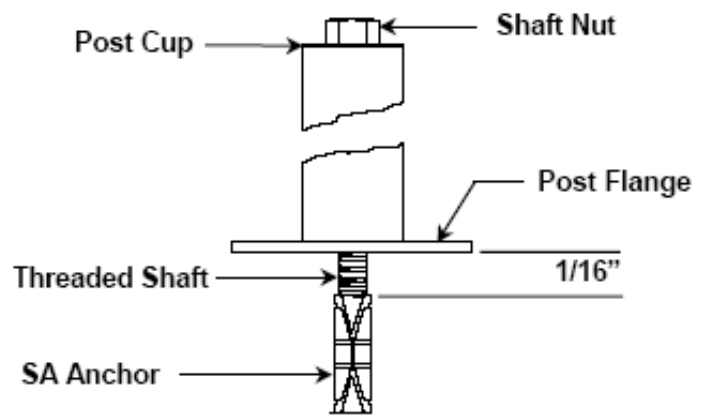


Figure 2: Center Shaft inserted into SA Anchor

5) Place the anchor attached to the shaft and post in the hole. Lightly tap the top of the shaft nut, while supporting the weight of the post, to insert the anchor down the hole. **With Outlets:** Rotate the post so that the railing outlets are positioned in the desired direction. Mark the locations of the four- (4) outer anchor holes on the flange and remove the post (See Figure 3). **Note:** If the anchor does not easily come out, unscrew the shaft from the anchor and leave the anchor in the hole.

6) Using an impact drill and a 5/8" drill bit, drill a minimum 3" deep hole at the center of each of the four marked outer anchor locations. **Vacuum ALL dust and debris from each hole. If this is not done correctly, the anchors will not seat properly.**

7) If the SA anchor remains on the center shaft, remove the anchor from the shaft and place it in the center hole, thread side down. Place a SB anchor, thread side down, in each hole of the four- (4) outer holes. Make sure the tops of the anchors are flush with the floor.

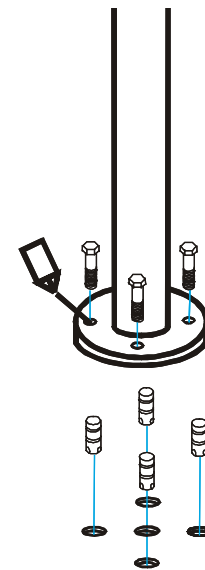


Figure 3: Post aligned with holes and anchors.

8) Reposition the post and align the holes on the floor with those on the flange. **With Outlets:** Insert any rails into the appropriate outlets. Thread the center shaft into the center anchor and insert a 3/8" bolt and washer through the post flange into each of the SB anchors. Checking that the post is straight, level and in their final, desired location, tighten the 3/8" bolts to 20 ft-lbs. torque and the center shaft to 80 ft-lbs. torque

9) **With Outlets:** Using the 1/8" Allen Wrench, insert the setscrews into the bottom of each rail outlet and tighten the railing into place. Using a rubber mallet, place the post cap included with the Zenith Conversion Kit over the post. **Note:** Tap gently to prevent denting the post cap.

Maintenance

Replace any bent or broken pieces IMMEDIATELY. Tighten any loose setscrews and/or anchor bolts.

Warranty

Alvarado Manufacturing Company warrants the equipment being sold against defects in material and workmanship, for a period of one (1) year from the date of purchase providing recommended installation and maintenance procedures are followed. This warranty is void if damage was due to improper installation, maintenance or use. The manufacturer is not responsible for any shipping or labor charges incurred in the removal or replacement of defective parts.