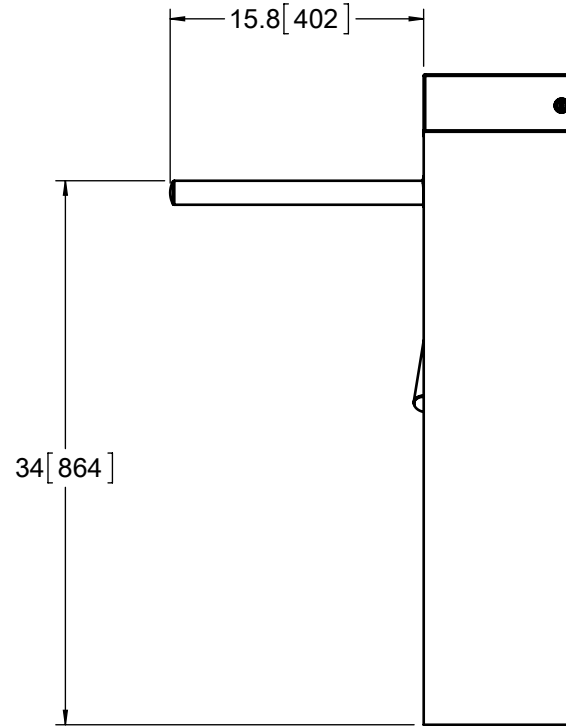
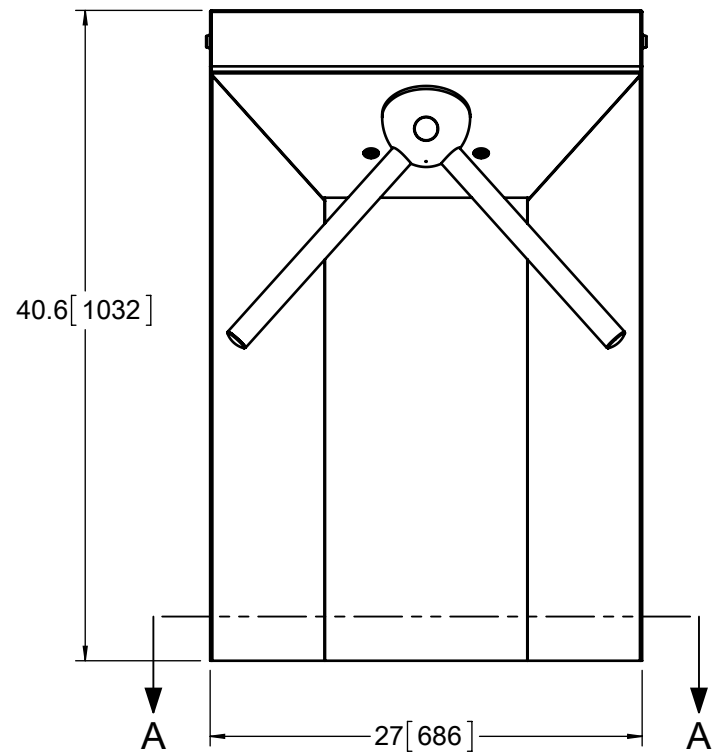
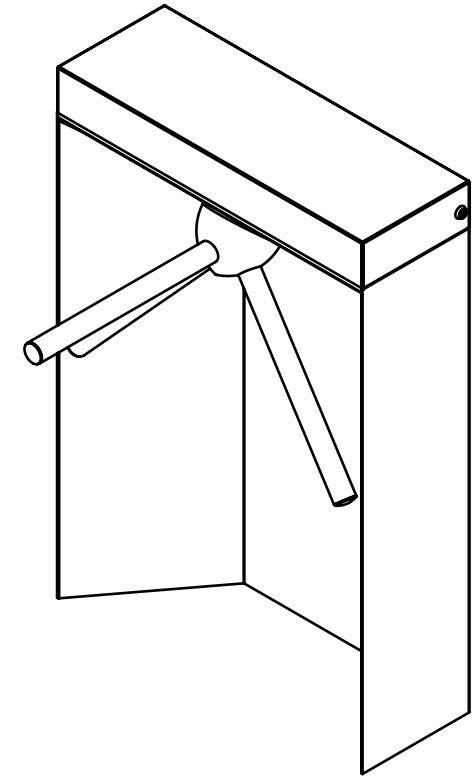
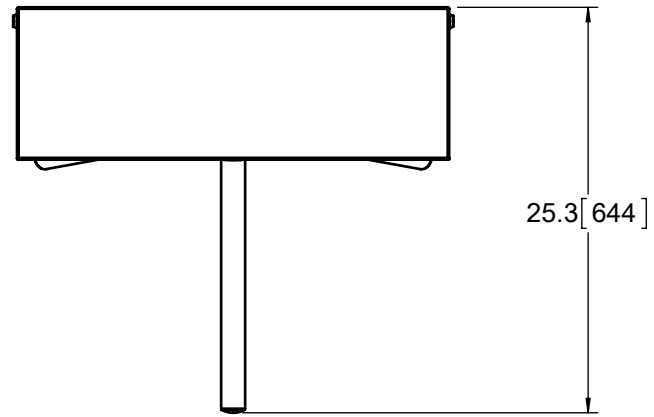


8 7 6 5 4 3 2 1

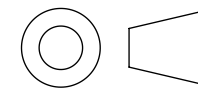
D
C
B
A

D
C
B
A



NOTES:
1. ALL DIMENSIONS ARE APPROXIMATE AND IN INCHES [mm].

THIRD ANGLE PROJECTION



PROPRIETARY AND CONFIDENTIAL
THE INFORMATION CONTAINED IN THIS DRAWING IS THE SOLE PROPERTY OF ALVARADO MANUFACTURING INC. ANY REPRODUCTION IN PART OR AS A WHOLE WITHOUT THE WRITTEN PERMISSION OF ALVARADO MANUFACTURING INC. IS PROHIBITED.

DO NOT SCALE DRAWING

ALVARADO

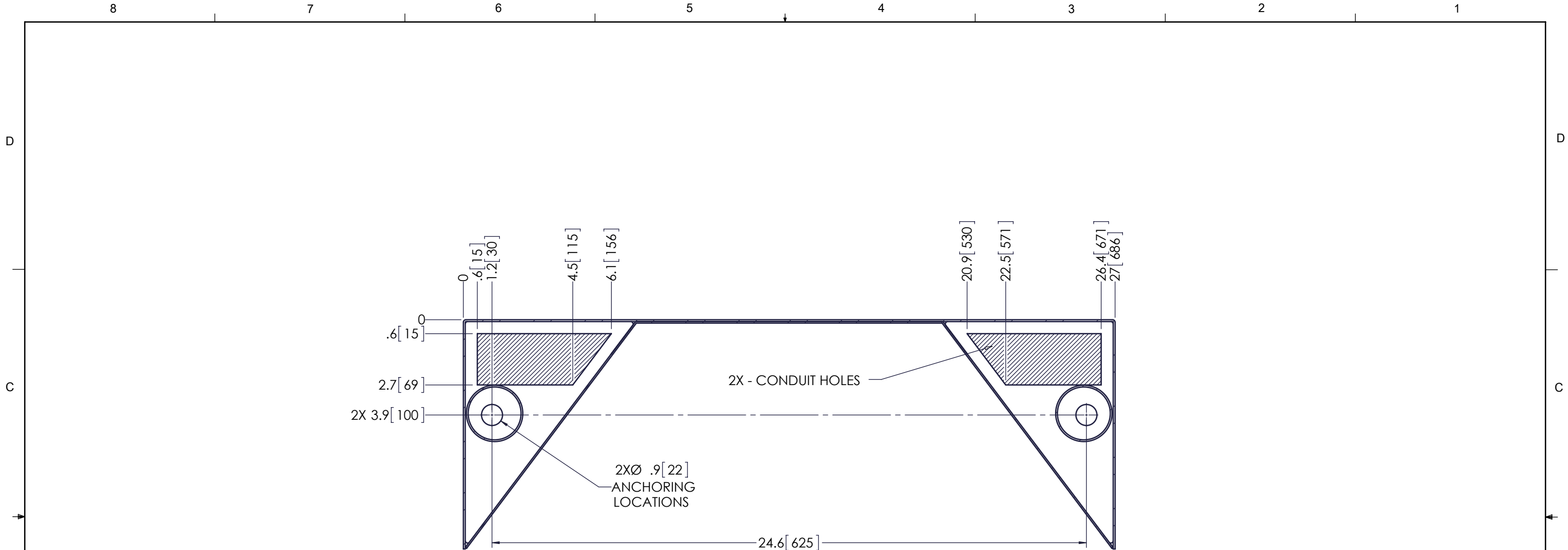
Alvarado Mfg. Co. Inc.
12660 Colony Street, Chino, CA 91710
909.591.8431 - 909.628.1403 (Fax)
www.alvaradomfg.com

TITLE:

EDC, 27" CABINET

	NAME	DATE	SIZE	DWG. NO.	REV
DRAWN	RGM	7/22/2015	B	PEF-096	B
CHECKED					
ENGR	RPL	7/22/2015	SCALE: 1:12		SHEET 1 OF 2

8 7 6 5 4 3 2 1



EDC, 27" CABINET
SECTION A-A
(DO NOT SCALE)

<p>THIRD ANGLE PROJECTION</p>		<p>ALVARADO</p> <p>Alvarado Mfg. Co. Inc. 12660 Colony Street, Chino, CA 91710 909.591.8431 - 909.628.1403 (Fax) www.alvaradomfg.com</p>	
<p>PROPRIETARY AND CONFIDENTIAL</p> <p>THE INFORMATION CONTAINED IN THIS DRAWING IS THE SOLE PROPERTY OF ALVARADO MANUFACTURING INC. ANY REPRODUCTION IN PART OR AS A WHOLE WITHOUT THE WRITTEN PERMISSION OF ALVARADO MANUFACTURING INC. IS PROHIBITED.</p>			
<p>TITLE:</p> <p>EDC, 27" CABINET</p>		<p>SCALE: 1:4</p>	
<p>DO NOT SCALE DRAWING</p>	<p>ENGR</p>	<p>RPL</p>	<p>7/22/2015</p>
<p>NAME</p> <p>RGM</p>	<p>DATE</p> <p>7/22/2015</p>	<p>SIZE</p> <p>B</p>	<p>DWG. NO.</p> <p>PEF-096</p>
<p>CHECKED</p>	<p>REV</p> <p>B</p>	<p>SHEET 2 OF 2</p>	