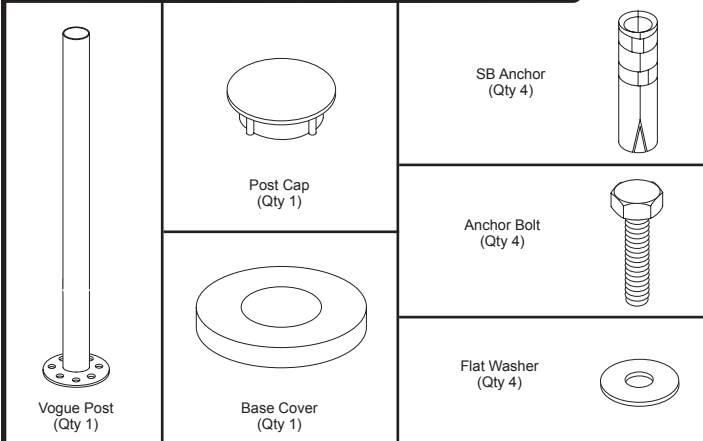


Vogue & Space Saver: Post and Rail Installation Instructions

NOTES

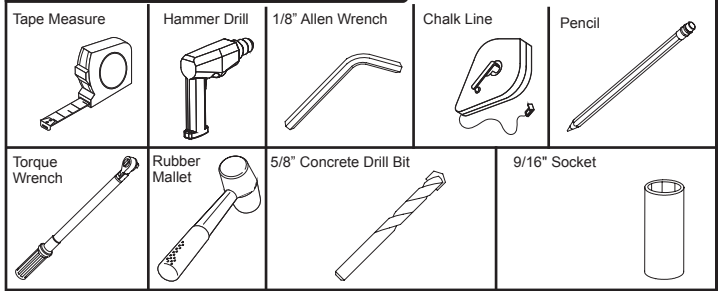
Installers and/or store personnel must provide this document to the manager or person responsible for the maintenance and use of the product. Read the installation instructions completely before installation of the product. The following steps assume that no modifications have been made to the product and that it is ready for installation on level concrete.

Vogue Post Illustrated Parts List:



(Anchor package sold separately.)

Tools:



Vogue Post Installation

1. Snap a chalk line on the floor in the desired location(s) of the vogue post(s) to determine the proper centerline of the posts. A tile line may be substituted for the chalk line.
2. Mark the center of each post's location along the centerline. With Outlets: Use the length of the rail ordered, plus 3" to compensate for the center to center dimension, to determine the correct distance between each post. It is important that this is done accurately.
3. Place a post on each marked position so that its center is aligned with the mark. With Outlets: Rotate the post so that the railing outlets are positioned in the desired direction. Mark the locations of the four outer anchor holes.
4. Using an hammer drill and a 5/8" drill vit, drill a minimum 3" deep hole at the center of each of the four marked outer anchor locations. Clean dust and debris from each hole. If this is not done correctly, the anchors will not seat properly.
5. Place a SB anchor, thread side down, in each hole. Make sure the top of the anchor is flush with the floor.
6. Reposition the post and align the holes on the floor with those on the flange. Insert a 3/8" anchor bolt and flat washer through the post flange into each of the SB anchors. Check that the post is straight and level. Tighten the 3/8" anchor bolts to 20 ft-lbs. torque. With Outlets: Insert any rails into the appropriate outlets.
7. With Outlets: Using the 1/8" Allen wrench, insert the set screws into the bottom of each rail outlet and tighten the railing into place.

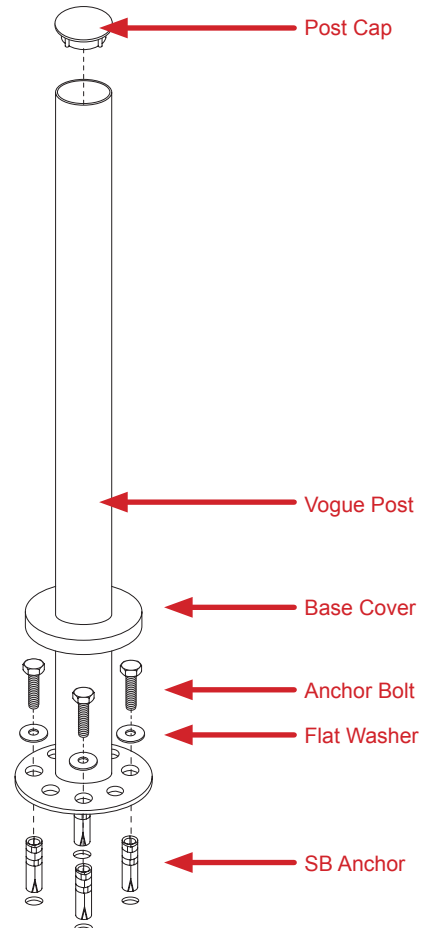


Figure 1

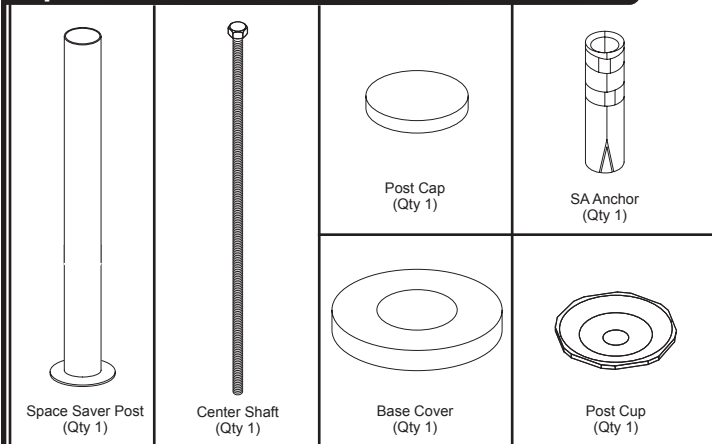


Vogue & Space Saver: Post and Rail Installation Instructions

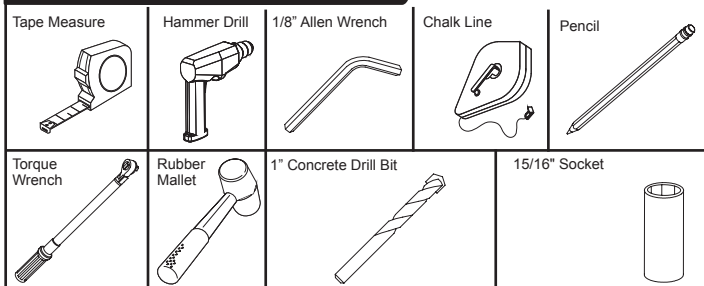
NOTES

Installers and/or store personnel must provide this document to the manager or person responsible for the maintenance and use of the product. Read the installation instructions completely before installation of the product. The following steps assume that no modifications have been made to the product and that it is ready for installation on level concrete.

Space Saver Post Illustrated Parts List:



Tools:



Space Saver Post Installation

Figure 2

1. Snap a chalk line on the floor in the desired location(s) of the post(s) to determine the proper centerline of each post. A tile line may be substituted for the chalk line.
2. Mark the center of each post's location along the centerline. With Outlets: Use the length of rail ordered, plus 3 to compensate for the center to center dimension, to determine the correct distance between each post.
3. Using the hammer drill and a 1" drill bit, drill a minimum 3" deep hole at the center marks. Clean dust and debris from each hole. If this is not done correctly, the SA anchors will not seat properly.
4. Place the post cup, curved upward, into the top of the post. Insert the center shaft through the post cup until the shaft nut is flush with the post cup. Screw the 1" SA anchor, thread side down, to the center shaft.

NOTES

Do not fully tighten anchor to the shaft. Leave approximately 1/16" between anchor and flange.

5. Place the anchor attached to the shaft and post in the hole. Lightly tap the top of the shaft nut, while supporting the weight of the post, to insert the anchor down the hole. With Outlets: Rotate the post so that the railing outlets are positioned in the desired direction.
6. Check that the post is straight, level and in its final, desired location, tighten the center shaft to 80 ft-lbs. torque. With Outlets: Insert any rails into the appropriate outlets.
7. Using a rubber mallet, place the post cap over the post cup, tap evenly around edges of the cap to secure.

NOTES

Tap gently to prevent denting the post cap.

8. With Outlets: Using the 1/8" Allen wrench, tighten the set screws into the bottom of each rail outlet and tighten the railing into place.

