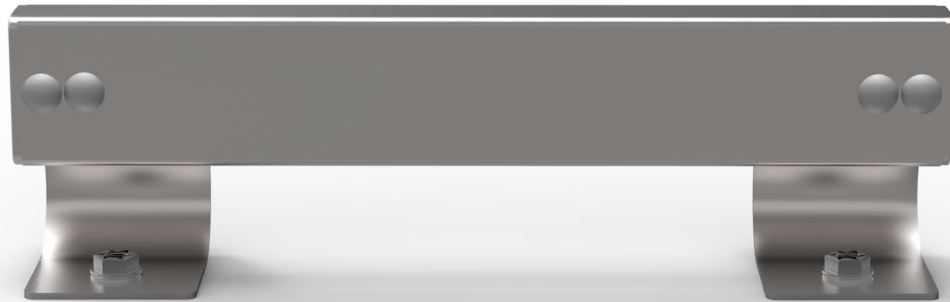


CB

FLOOR BUMPER

The CB is a floor mounted bumper rail that protects fixtures, cases, walls and windows from impact damage in grocery stores, retail stores, hospitals and warehouses. Alvarado's CB is also often used to provide a stop for shopping carts in cart corrals.



TYPICAL INSTALLATION SITES

- Supermarkets
- Retail Stores
- Hospitals
- Warehouse Stores
- Home Improvement Centers
- Specialty Stores

FUNCTION

The CB is a floor mounted bumper rail that protects fixtures, cases and walls from impact damage caused by floor scrubbers, shopping carts, pallet jacks and stocking carts.

The CB's unique anchoring feet are made from specially engineered spring steel, which flexes during impacts. The CB is an ideal choice for high impact applications such as cart corrals and cart storage areas. The CB can also be used in warehouse and storage areas to protect walls and equipment from damage during pallet placement and removal.

Individual sections of the CB can be joined together to create seamless long runs along cases or walls.

CONFIGURATIONS

The CB is available in individual sections from 2' to 6'. Each 2' to 6' section comes with two spring steel feet. Additional sections and additional feet are added to create longer runs as required by the application.

MATERIALS AND FINISHES

The protective face of the CB is a formed U-channel made from 11-gauge steel. The feet are 7-gauge spring steel. End caps are cast aluminum. Hardware to attach the railing and feet are included.

The CB attaches to the floor using 1" Alvarado model SA expansion anchors, which are included.

The CB comes in a bright chrome or hot dipped galvanized finish. The galvanized finish CB is used for outdoor applications.

OPTIONS

135° Corners

135° corners are available.

SHIPPING AND SITE PREPARATION

SHIPPING

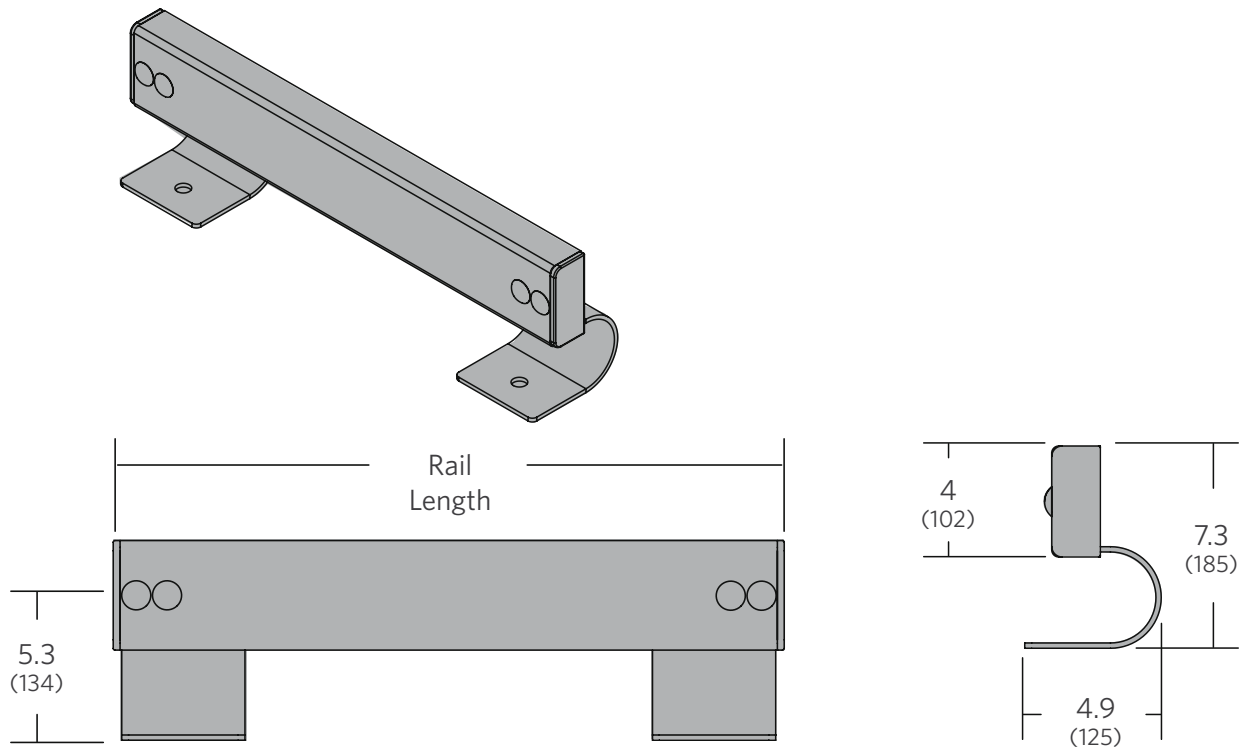
CB rail, feet, end caps and hardware come packaged and are field assembled.

SITE PREPARATION

The CB installs on level concrete. A skilled installer should perform the installation, in consultation with the owner or end user, following safe practices and the installation guidelines that come with the product.

TECHNICAL DIMENSIONS

Dimensions are shown in inches (mm). All measurements are approximate.



Length and Weight						
Available Lengths	2' (610 mm)	3' (914 mm)	4' (1219 mm)	5' (1524 mm)	6' (1829 mm)	135° Corner
Shipping Weight	13 lbs. (5.9 kg)	16 lbs. (7.3 kg)	19 lbs. (8.6 kg)	23 lbs. (10.4 kg)	26 lbs. (11.7 kg)	4 lbs. (1.8 kg)

WARRANTY

For a period of one year from the date of shipping, Alvarado will replace or repair, at Alvarado’s option, any products or parts which are defective in materials or workmanship, provided recommended installation and maintenance procedures are followed. This warranty is void if damage is due to improper installation, maintenance or use. This warranty is limited to parts only, and does not cover labor or shipping charges incurred in connection with the removal or replacement of warranted products or parts.

This warranty is expressly made in lieu of any and all other warranties, expressed or implied, including, but not limited to implied warranties of merchantability and fitness for a particular purpose. Alvarado shall not be liable for any loss or damage, directly or indirectly, arising from the use of purchased products. In no event shall Alvarado be liable to buyer for consequential damages, special damages, incidental damages, loss of use, business interruption, loss of profits, or damages of any kind arising out of the use or inability to use a purchased product. In NO event shall Alvarado be liable for damages which exceed the purchase price of a covered product.