

Defender

Corner Guard

The Defender is a removable corner guard that protects fixtures and cases in grocery and retail stores. It also provides light duty protection for racking and similar fixtures in warehouses. The Defender attachment stems install into stainless steel floor sockets, allowing removal of the corner guard during floor cleaning.



TYPICAL INSTALLATION SITES

- Supermarkets
- Retail Stores
- Warehouses



FUNCTION

The Defender is a removable corner guard that protects fixtures and cases from impact damage caused by shopping carts, pallet jacks and stocking carts. The product is removable.

AVAILABLE HEIGHTS

DEFENDER SS

The Defender SS is available in 12", 16" and 24" heights.

DEFENDER XT

The Defender XT is available in 16" and 24" heights.

MATERIALS AND FINISHES

DEFENDER SS

The protective surface of the Defender SS is 12-gauge stainless steel. Two stainless steel attachment stems, .75 OD stainless rod, are welded to the backside of the protective surface. The stems, which extend approximately 2.8" below the bottom of the protective surface, install into stainless steel floor sockets which insert into holes drilled into the floor. The Defender SS has a #4 satin finish.

DEFENDER XT

The protective surface of the Defender SS is 12-gauge steel. Two stainless steel attachment stems are welded to the backside of the protective surface. The stems, which extend approximately 2.8" below the bottom of the protective surface, install into stainless steel floor sockets which insert into holes drilled into the floor. The Defender XT has a tough polyurethane coating that will not chip or peel. The standard color is black. Select additional colors are available for large volume orders.

SHIPPING AND SITE PREPARATION

SHIPPING

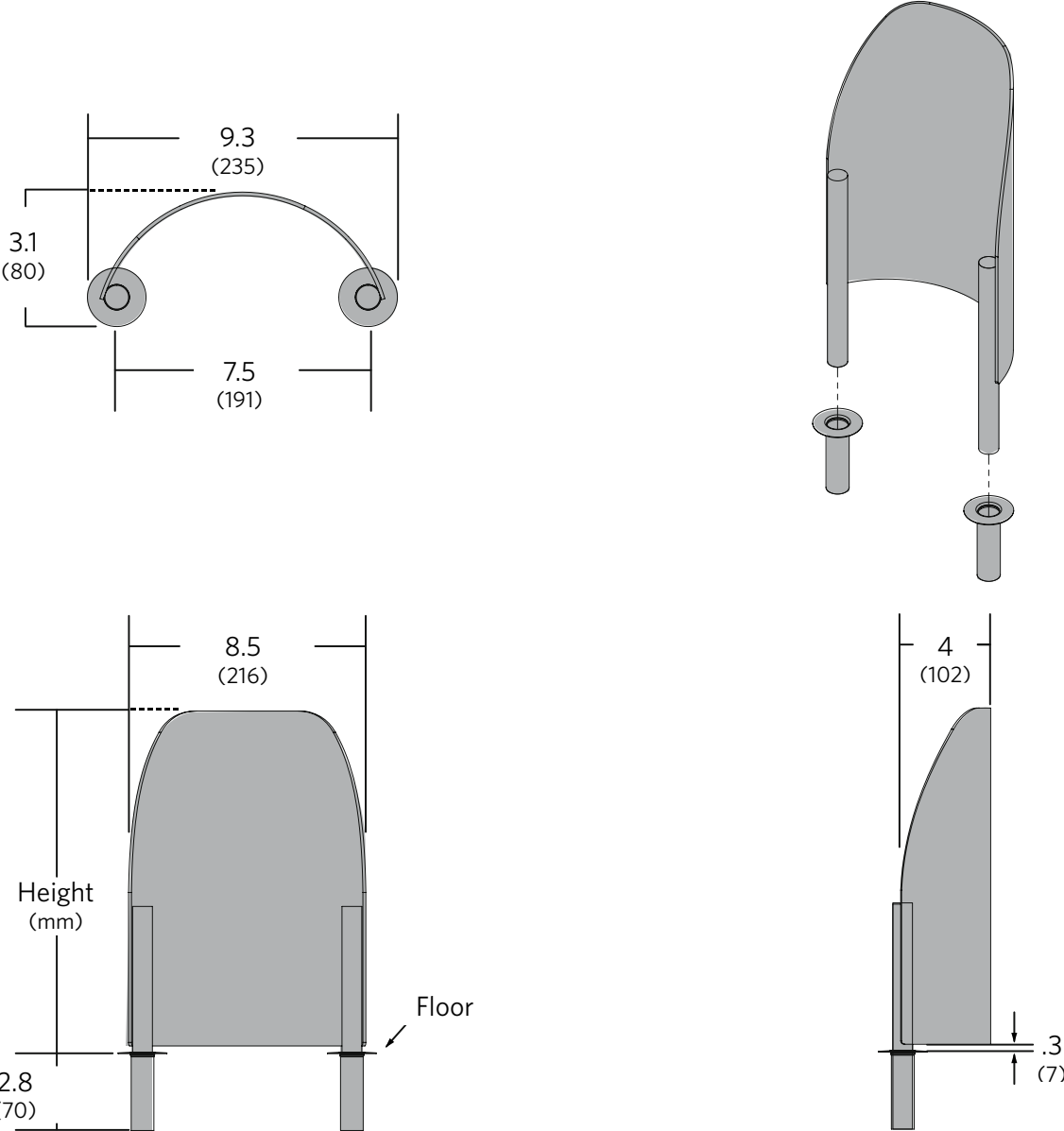
Defenders are shipped two to a box. Each Defender comes with two floor sockets.

SITE PREPARATION

The Defender installs on level concrete. A skilled installer should perform the installation, in consultation with the owner or end user, following safe practices and the installation guidelines that come with the product.

TECHNICAL DIMENSIONS

Dimensions are shown in inches (mm). All measurements are approximate.



Height and Weight				
Available Models	Defender SS-12	Defender SS/ XT-16	Defender SS-24	Defender XT-24
Product Height	12" (610mm)	16" (610mm)	24" (1219mm)	24" (1219mm)
Product Weight	6 lbs. (2.7kg)	8 lbs. (3.6 kg)	13 lbs. (5.9 kg)	13 lbs. (5.9 kg)
Shipping Weight*	26 lbs. (11.8 kg)	33 lbs. (16.3 kg)	54 lbs. (24.5 kg)	27 lbs. (12.2 kg)

*Shipping weight includes 4 defenders and 8 sockets per box. The Defender XT 24" model ships 2 defenders and 4 sockets per box.



WARRANTY

For a period of one year from the date of shipping, Alvarado will replace or repair, at Alvarado's option, any products or parts which are defective in materials or workmanship, provided recommended installation and maintenance procedures are followed. This warranty is void if damage is due to improper installation, maintenance or use. This warranty is limited to parts only, and does not cover labor or shipping charges incurred in connection with the removal or replacement of warranted products or parts.

This warranty is expressly made in lieu of any and all other warranties, expressed or implied, including, but not limited to implied warranties of merchantability and fitness for a particular purpose. Alvarado shall not be liable for any loss or damage, directly or indirectly, arising from the use of purchased products. In no event shall Alvarado be liable to buyer for consequential damages, special damages, incidental damages, loss of use, business interruption, loss of profits, or damages of any kind arising out of the use or inability to use a purchased product. In NO event shall Alvarado be liable for damages which exceed the purchase price of a covered product.

