

8

7

6

5

4

3

2

1

D

C

B

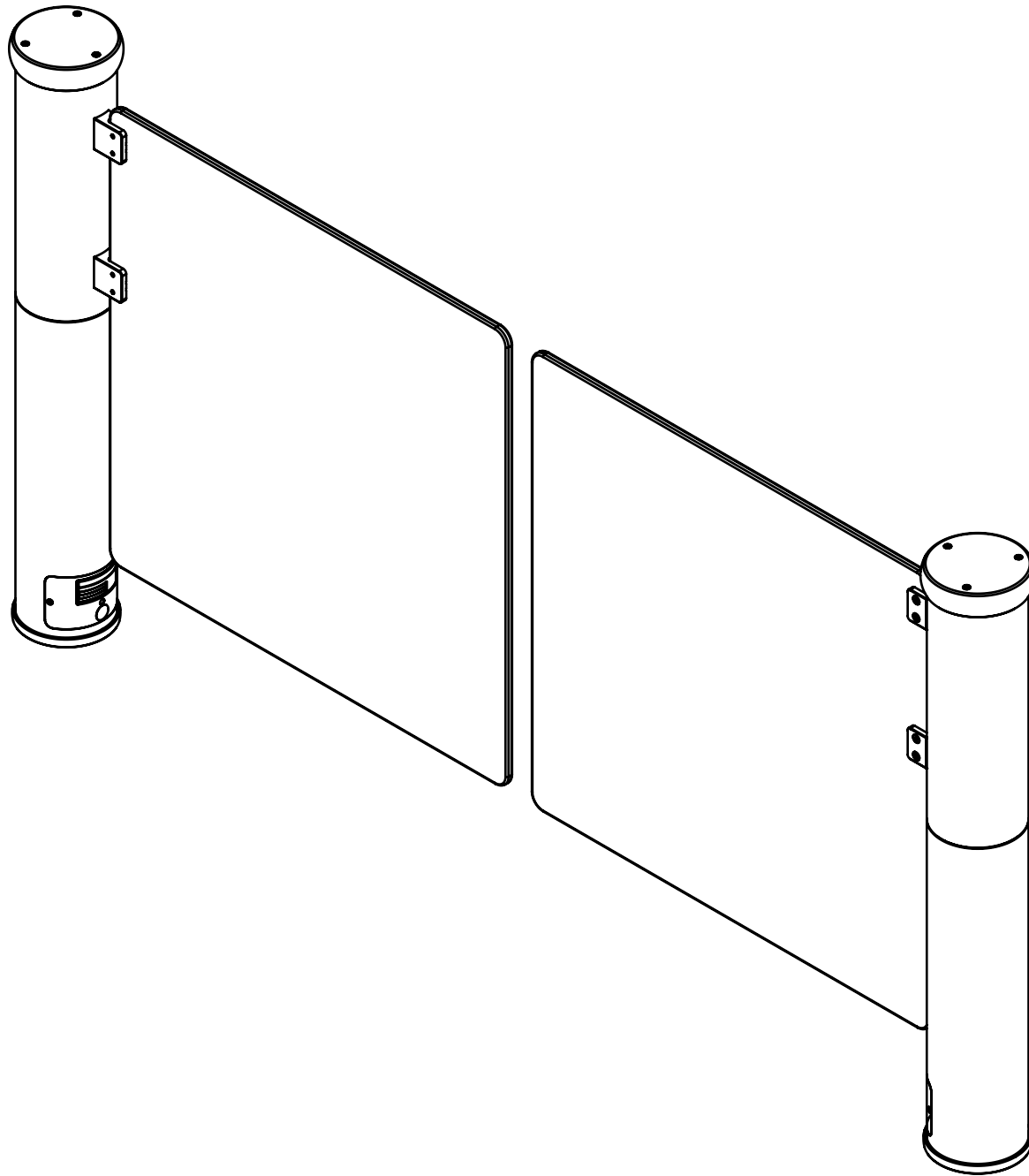
A

D

C

B

A



NOTES:

- 1. ALL DIMENSIONS ARE APPROXIMATE AND IN INCHES [mm].

THIRD ANGLE PROJECTION



PROPRIETARY AND CONFIDENTIAL

THE INFORMATION CONTAINED IN THIS DRAWING IS THE SOLE PROPERTY OF ALVARADO MANUFACTURING INC. ANY REPRODUCTION IN PART OR AS A WHOLE WITHOUT THE WRITTEN PERMISSION OF ALVARADO MANUFACTURING INC. IS PROHIBITED.

DO NOT SCALE DRAWING



Alvarado Mfg. Co. Inc.
12660 Colony Street, Chino, CA 91710
909.591.8431 - 909.628.1403 (Fax)
www.alvaradomfg.com

TITLE:

SW1000T, LOW HEIGHT BARRIERS

	NAME	DATE	SIZE	DWG. NO.	REV
DRAWN	RGM	2/15/2016	B	PEF-569	A
CHECKED					
ENGR	RPL	2/15/2016	SCALE: 1:10	SHEET 1 OF 3	

8

7

6

5

4

3

2

1

8

7

6

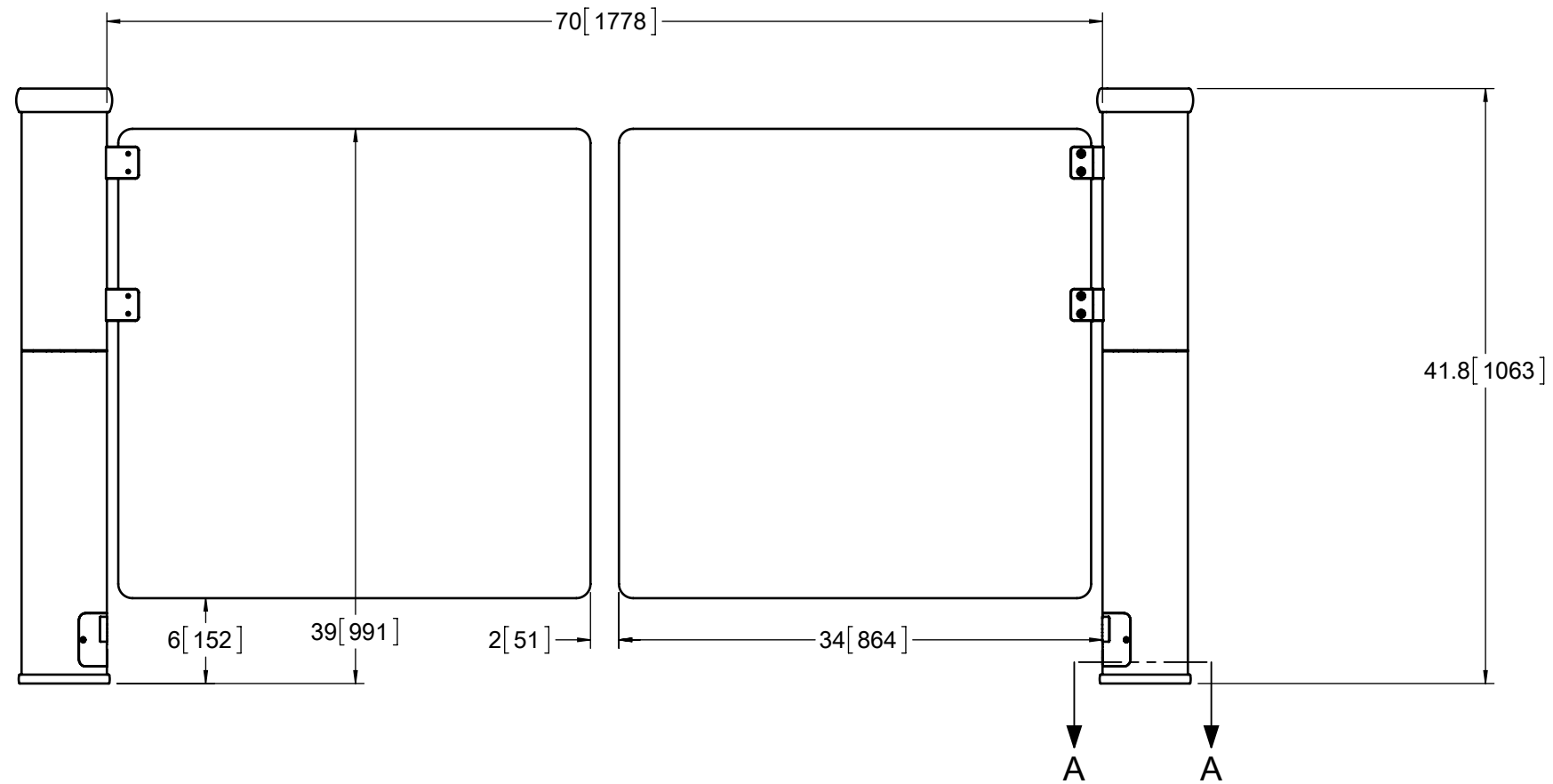
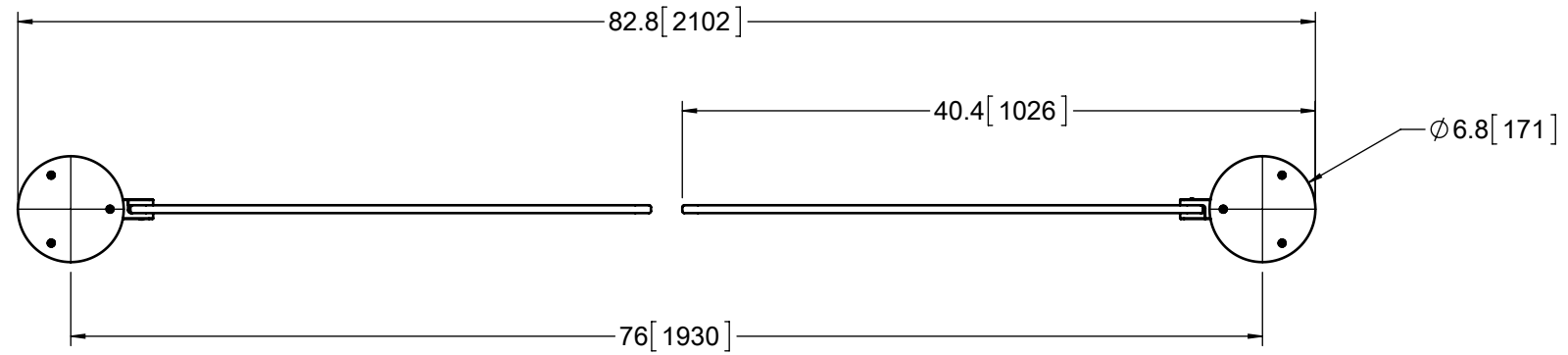
5

4

3

2

1



THIRD ANGLE PROJECTION



PROPRIETARY AND CONFIDENTIAL

THE INFORMATION CONTAINED IN THIS DRAWING IS THE SOLE PROPERTY OF ALVARADO MANUFACTURING INC. ANY REPRODUCTION IN PART OR AS A WHOLE WITHOUT THE WRITTEN PERMISSION OF ALVARADO MANUFACTURING INC. IS PROHIBITED.

DO NOT SCALE DRAWING



Alvarado Mfg. Co. Inc.
12660 Colony Street, Chino, CA 91710
909.591.8431 - 909.628.1403 (Fax)
www.alvaradomfg.com

TITLE:

SW1000T, LOW HEIGHT BARRIERS

	NAME	DATE	SIZE	DWG. NO.	REV
DRAWN	RGM	2/15/2016	B	PEF-569	A
CHECKED					
ENGR	RPL	2/15/2016	SCALE: 1:12	SHEET 2 OF 3	

8

7

6

5

4

3

2

1

8 7 6 5 4 3 2 1

D

C

B

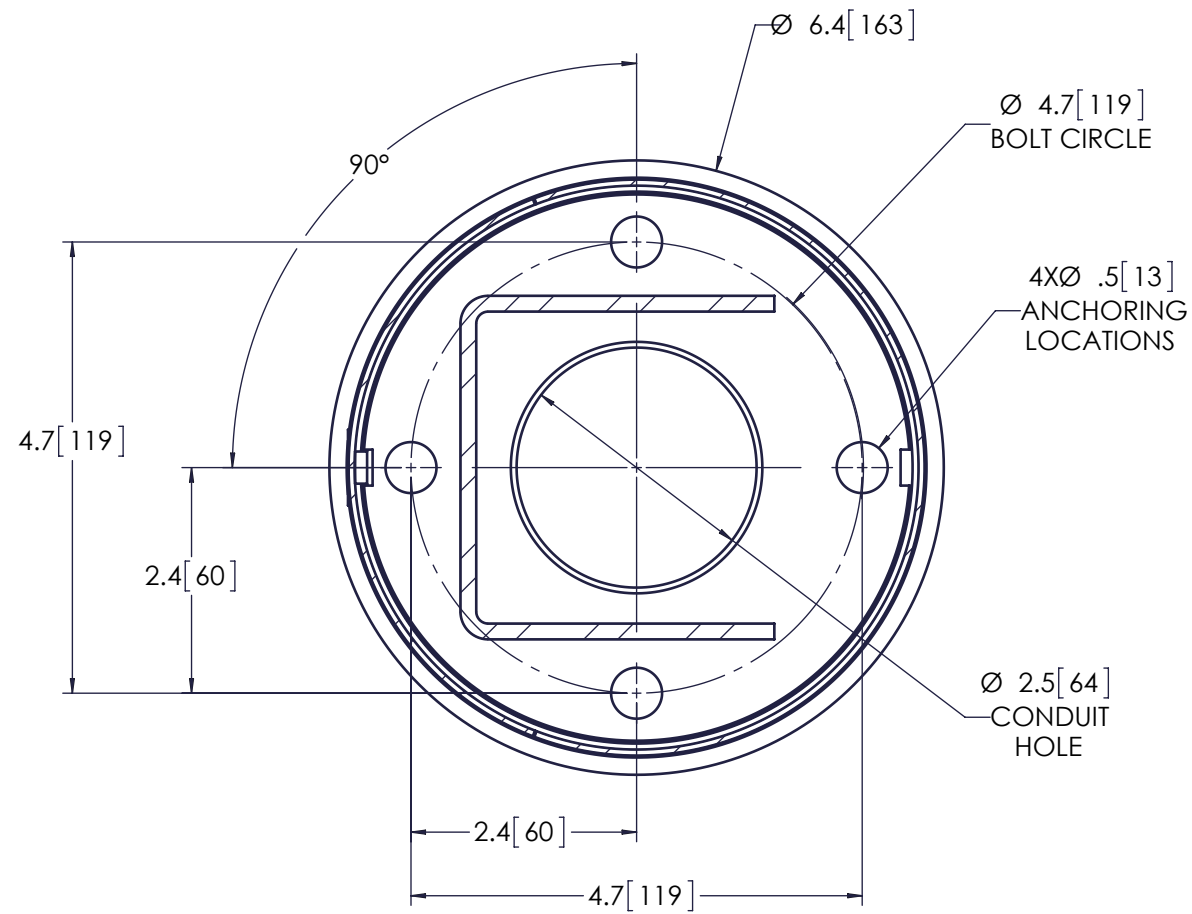
A

D

C

B

A



SW1000
SECTION A-A
DO NOT SCALE

THIRD ANGLE PROJECTION



PROPRIETARY AND CONFIDENTIAL

THE INFORMATION CONTAINED IN THIS DRAWING IS THE SOLE PROPERTY OF ALVARADO MANUFACTURING INC. ANY REPRODUCTION IN PART OR AS A WHOLE WITHOUT THE WRITTEN PERMISSION OF ALVARADO MANUFACTURING INC. IS PROHIBITED.

DO NOT SCALE DRAWING



Alvarado Mfg. Co. Inc.
12660 Colony Street, Chino, CA 91710
909.591.8431 - 909.628.1403 (Fax)
www.alvaradomfg.com

TITLE:

SW1000T, LOW HEIGHT
BARRIERS

	NAME	DATE	SIZE	DWG. NO.	REV
DRAWN	RGM	2/15/2016	B	PEF-569	A
CHECKED					
ENGR	RPL	2/15/2016	SCALE: 1:12	SHEET 3 OF 3	

8 7 6 5 4 3 2 1