

8 7 6 5 4 3 2 1

D

C

B

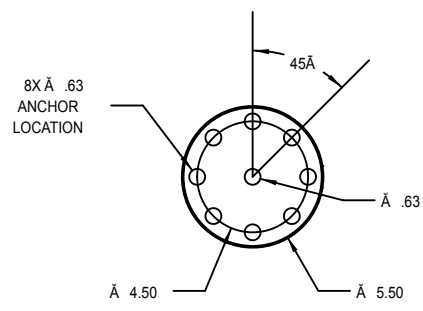
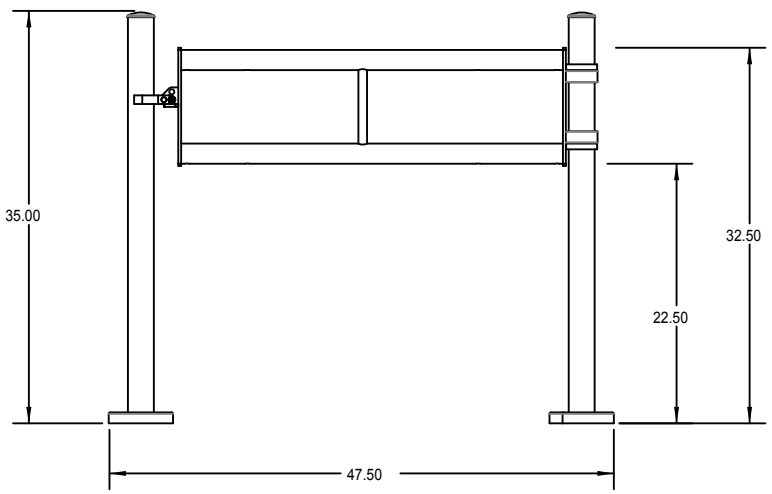
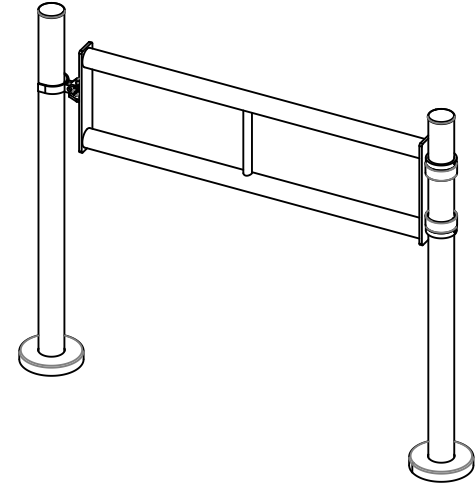
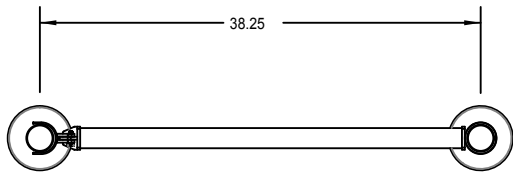
A

D

C

B

A



NOTES:
1. ALL DIMENSIONS ARE APPROXIMATE.

DRAWN BY: DR

ALVARADO MFG.CO.INC.
12660 COLONY STREET, CHINO, CA. 91710
PROPERTY NOTICE: NO USE WITHOUT PRIOR WRITTEN CONSENT

**SL-10 - PLAN, ELEVATION,
& FOOTPRINT**

| | | |
|------------|---------|---|
| SIZE | NUMBER | DATE |
| B | PEF-109 | 4/23/10 |
| SCALE: 1:8 | | UNLESS OTHERWISE SPECIFIED DIMENSIONS ARE IN INCHES |
| | | SHEET 1 OF 1 |

8 7 6 5 4 3 2 1