



TURNSTILES

Alvarado's line of stylish and affordable entry turnstiles control pedestrian traffic flow and aid in reducing theft in retail applications

MT (pictured) and **GST** turnstiles are four arm turnstiles which can be configured to operate in both clockwise and counter-clockwise directions.

W turnstiles are ideal for applications that have limited floor space. The W is a three arm turnstile and is ordered in left hand or right hand operation.

All of our turnstiles can be used in conjunction with Alvarado's modular post and rail or pedestrian gates.



TYPICAL INSTALLATION SITES

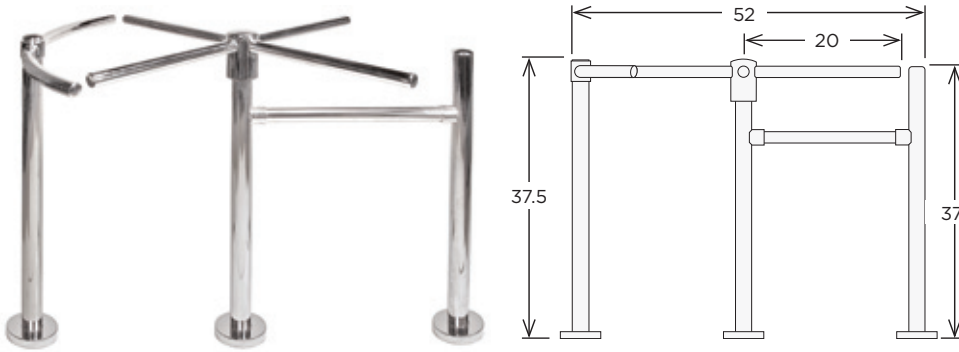
- Retail and specialty stores
- Grocery and warehouse stores
- Home improvement centers

Why Alvarado?

Alvarado is the leading manufacturer of queuing and public entry products. Since its founding in 1956, Alvarado equipment has been installed in thousands of locations throughout the world.

Our superior product quality, integration expertise and industry leading service and support are just a few reasons that many of the world's most respected companies use our products again and again.

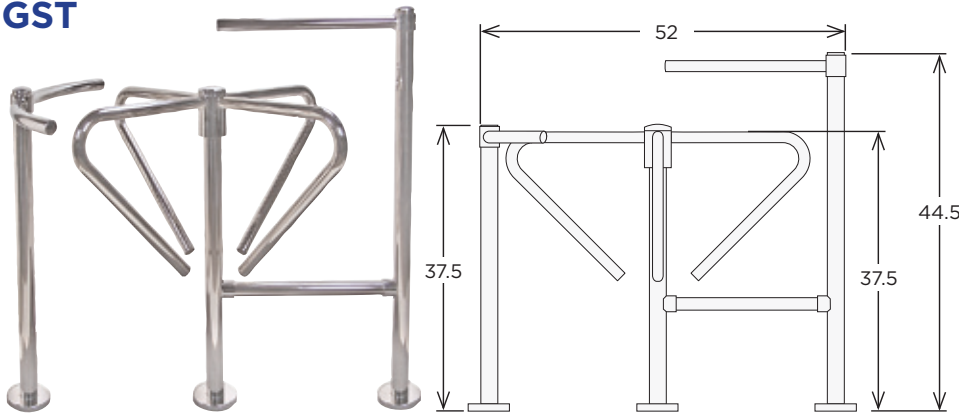
MT



AVAILABLE MODELS

MT01-001 - (Four Arm)

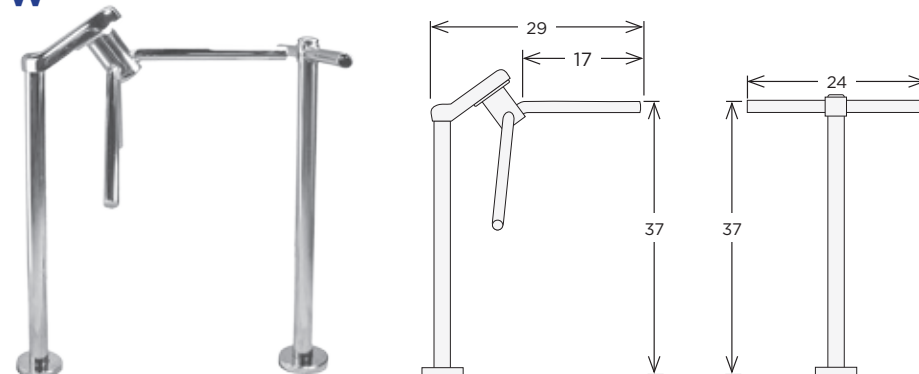
GST



AVAILABLE MODELS

GST01-001 - (Four Arm)

W



AVAILABLE MODELS

WSA01-001 - (Three Arm, Right-Hand)

WSA01-002 - (Three Arm, Left-Hand)

YAS35-001 - (Optional Yoke Post)

(Left-hand pictured above)

Dimensions shown in inches.

COMPLIMENTARY PRODUCTS

Our modular post and rail are ideal companions to our turnstiles.



RESOURCES

Alvarado's knowledgeable staff understands that many customers do not deal with queuing and public entry products on a regular basis. We offer expert assistance and technical expertise to ensure the best solution is selected for your facility.

Additional information, including detailed specifications, installation manuals, CAD drawings, and application images can be found online.