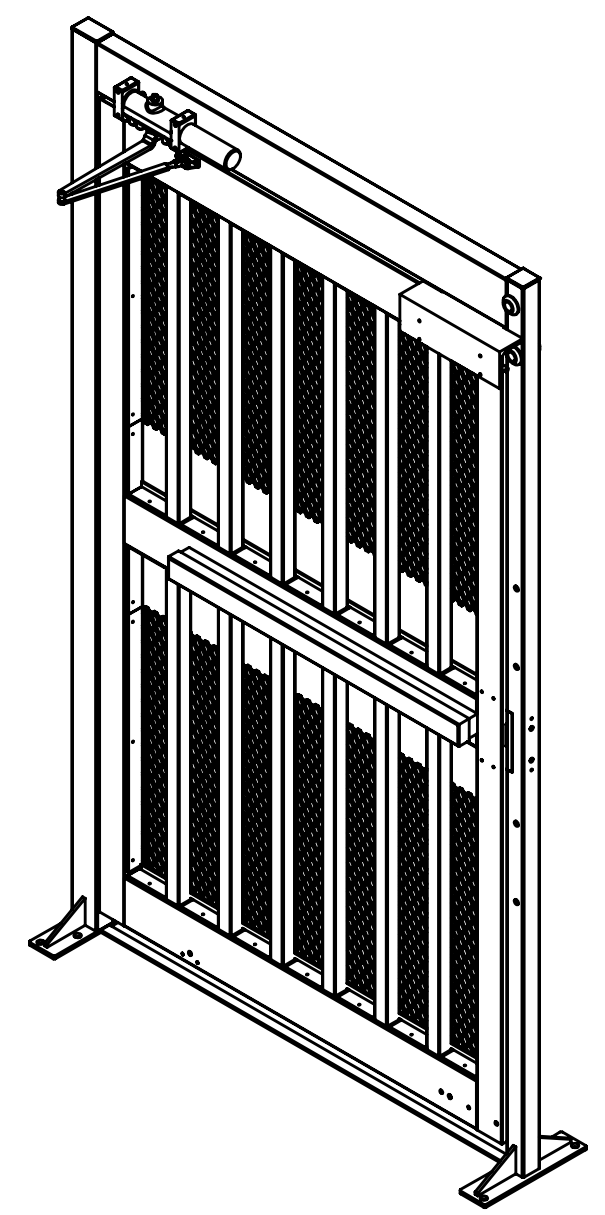
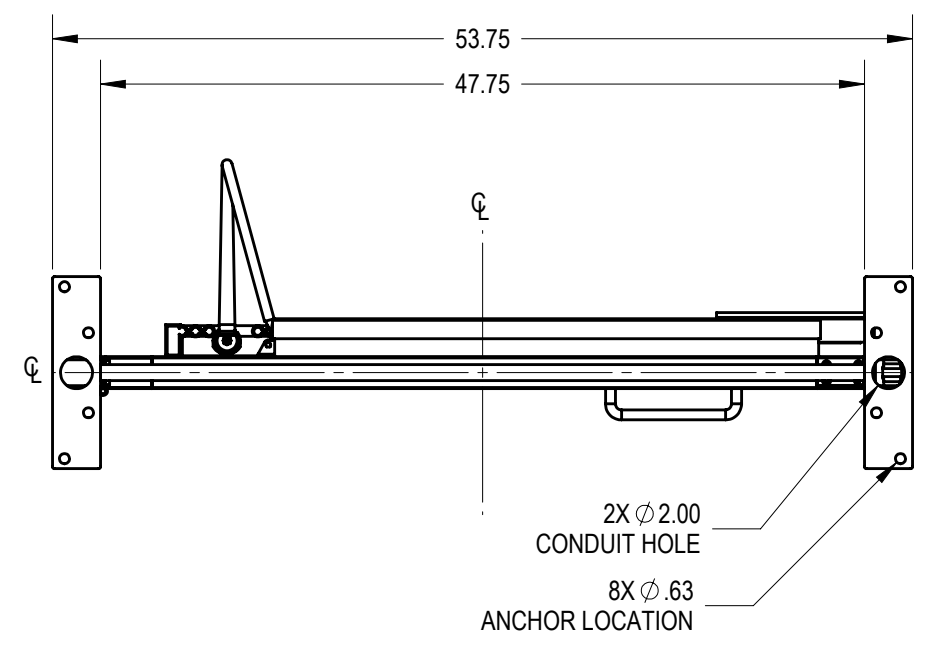
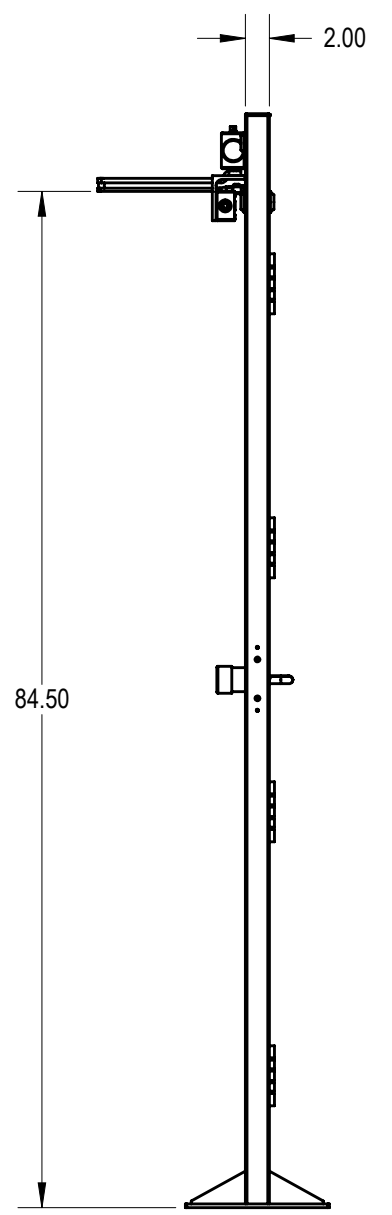
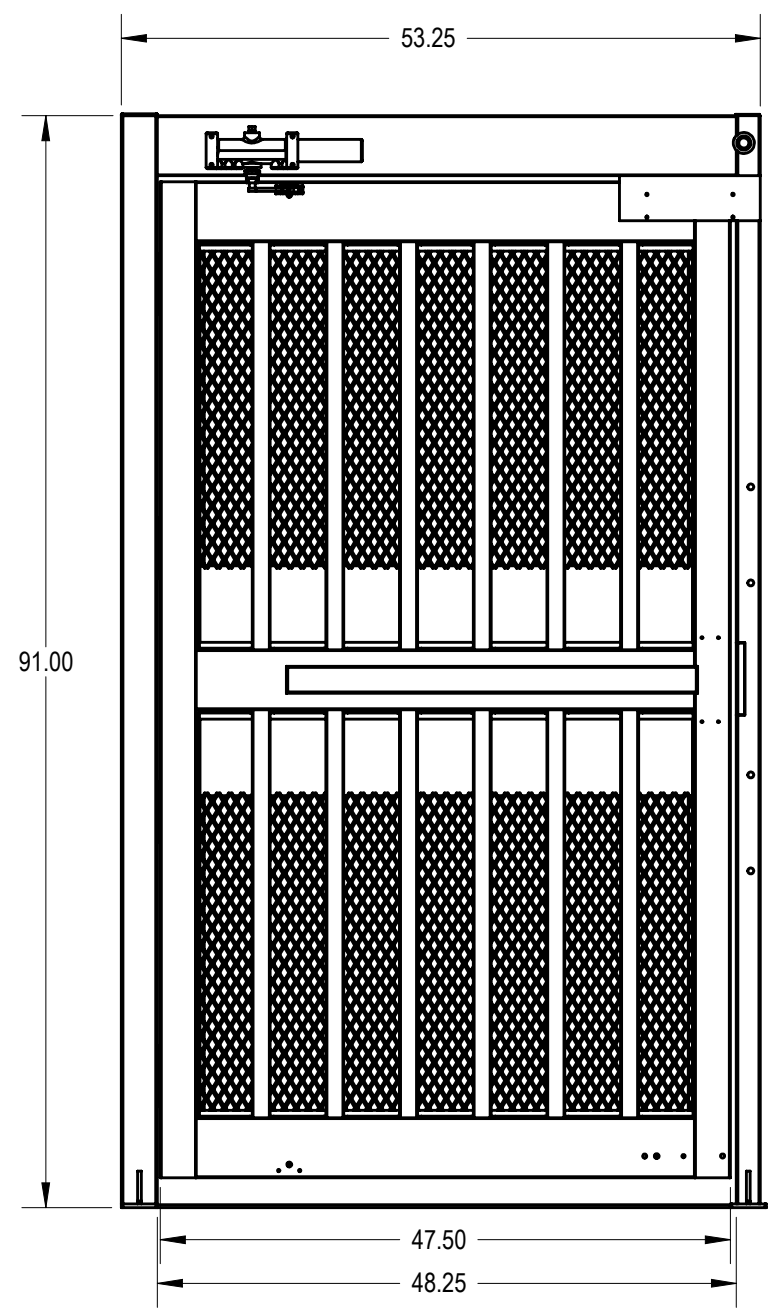
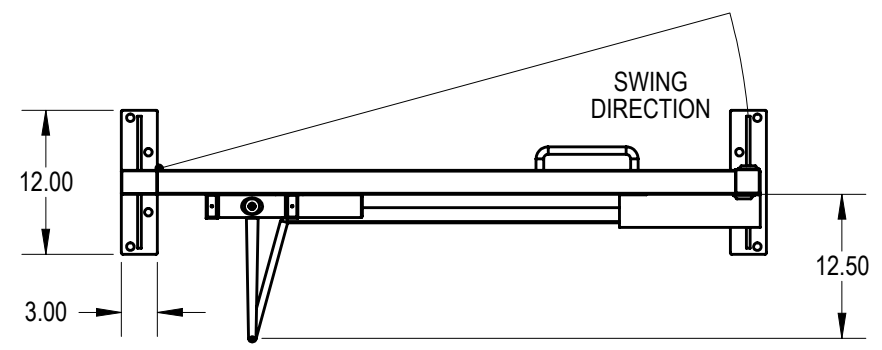


8 7 6 5 4 3 2 1

D
C
B
A



D
C
B
A

- NOTES:
1. ALL DIMENSIONS ARE APPROXIMATE.
 2. GATE SHOWN IN LEFT HAND SWING CONFIGURATION. DIMENSIONS ARE TYPICAL FOR BOTH LEFT AND RIGHT HAND SWING DIRECTIONS.

8 7 6 5 4 3 2 1

ENGR: G.MARSALA

ALVARADO Alvarado Mfg. Co., Inc.
12289 Cedar # 88, Unit 128, Carlsbad, CA 92008
(760) 439-8888 FAX: (760) 439-1168 alvaradomfg.com

PROPERTY NOTICE: NO USE WITHOUT PRIOR WRITTEN CONSENT

**MSGX-PX 48 PLAN,
ELEVATION, & FOOTPRINT**

SIZE	DWG. NO.	DATE
B	PEF-093	03/03/11
SCALE: 1:24	UNLESS OTHERWISE SPECIFIED DIMENSIONS ARE IN INCHES	
		SHEET 1 OF 1