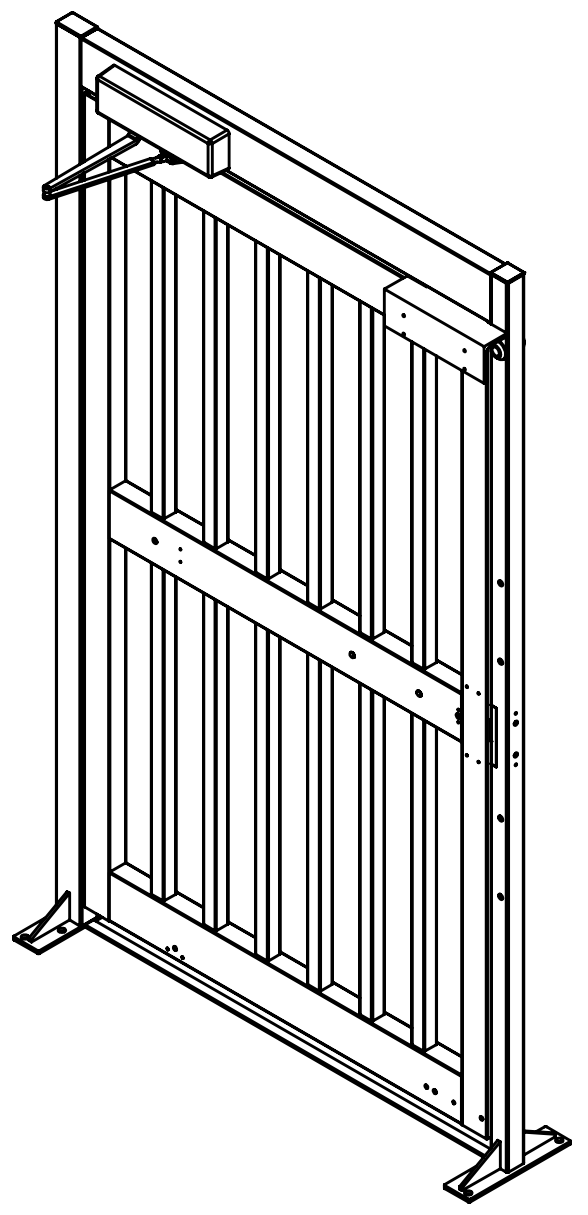
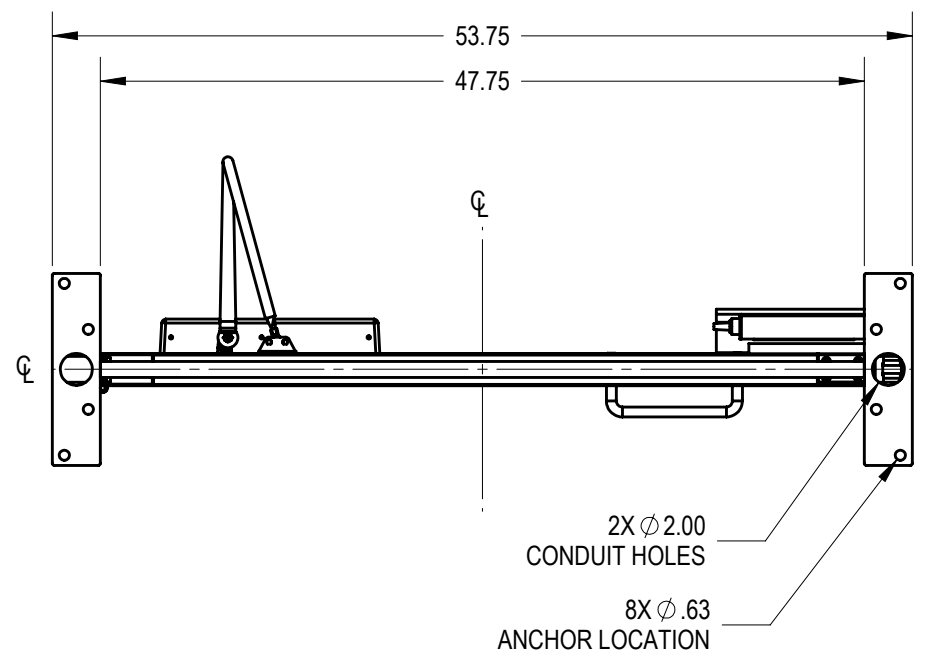
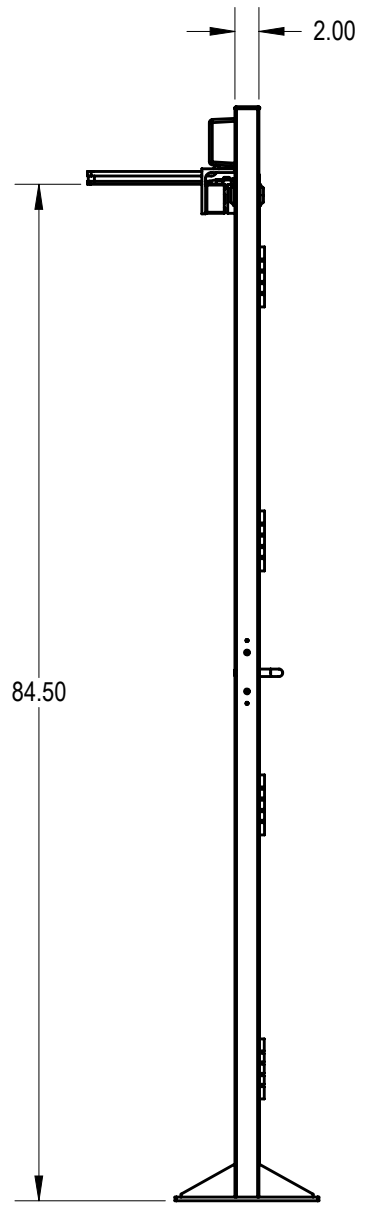
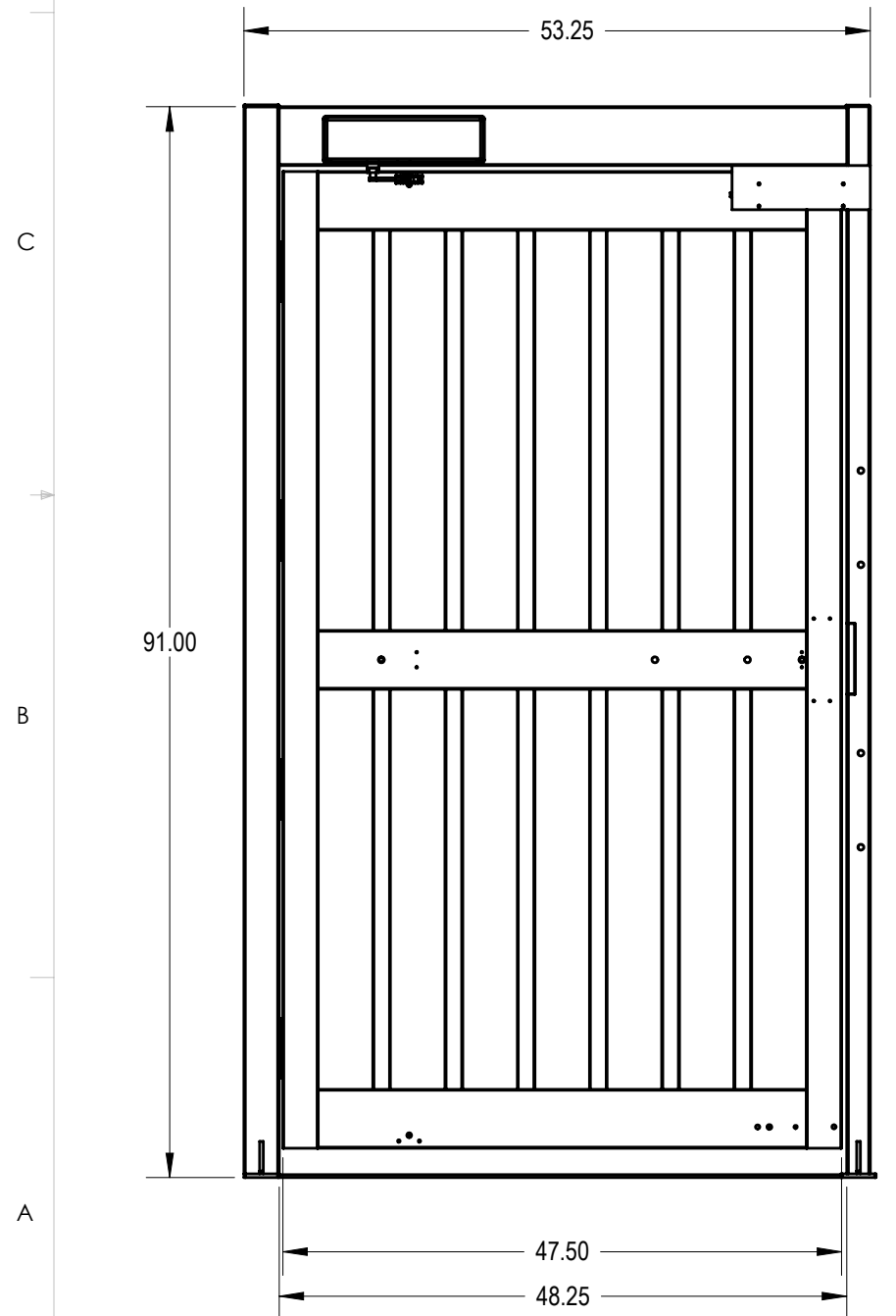
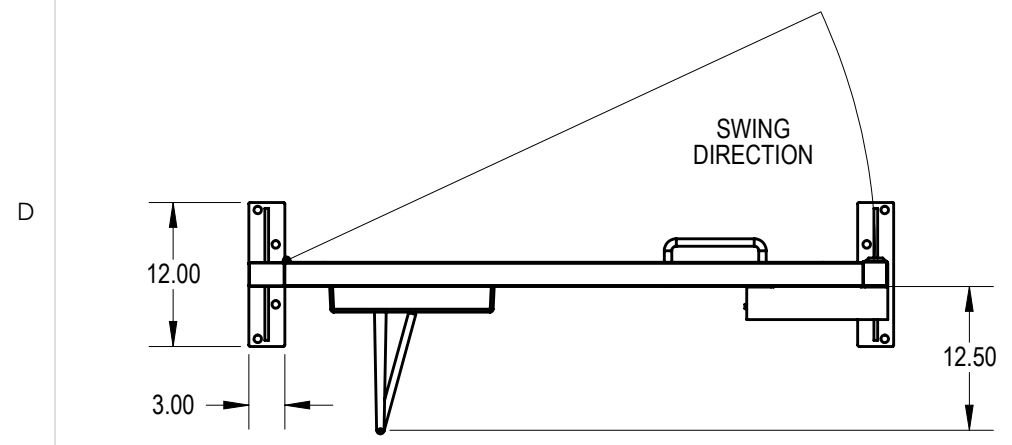


8 7 6 5 4 3 2 1



NOTES:
 1. ALL DIMENSIONS ARE APPROXIMATE.
 2. GATE SHOWN IN LEFT HAND SWING CONFIGURATION. DIMENSIONS ARE TYPICAL FOR BOTH LEFT AND RIGHT HAND SWING DIRECTIONS.

ENGR: G.MARSALA
ALVARADO
 PROPERTY NOTICE: NO USE WITHOUT PRIOR WRITTEN CONSENT

**MSGX 48 PLAN,
 ELEVATION, & FOOTPRINT**

SIZE	DWG. NO.	DATE
B	PEF-092	03/03/11
SCALE: 1:24	UNLESS OTHERWISE SPECIFIED DIMENSIONS ARE IN INCHES	SHEET 1 OF 1

8 7 6 5 4 3 2 1