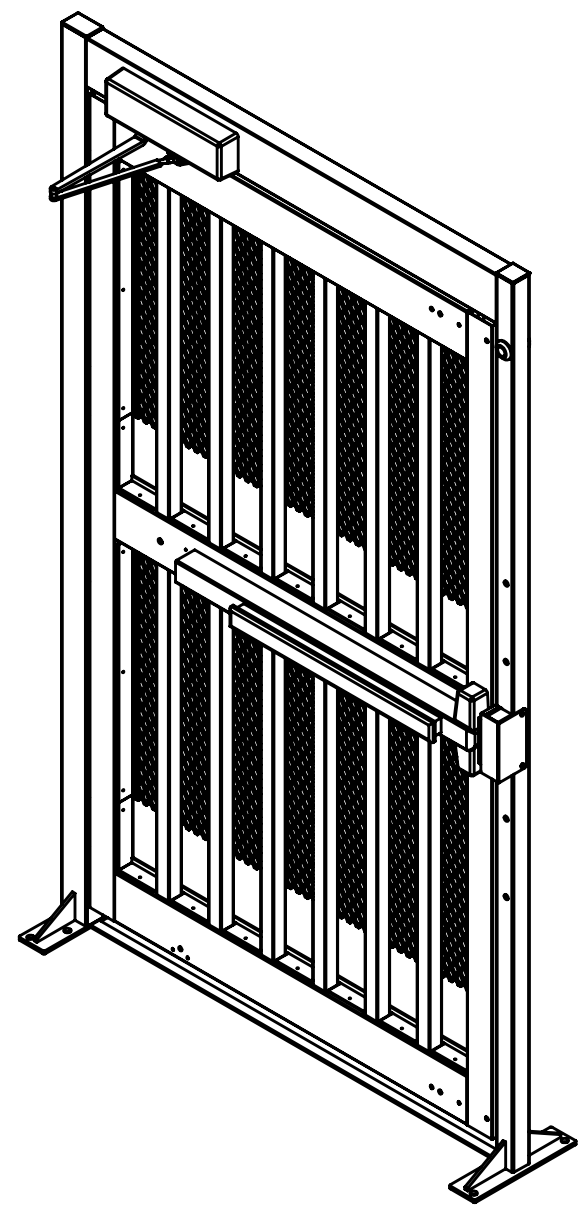
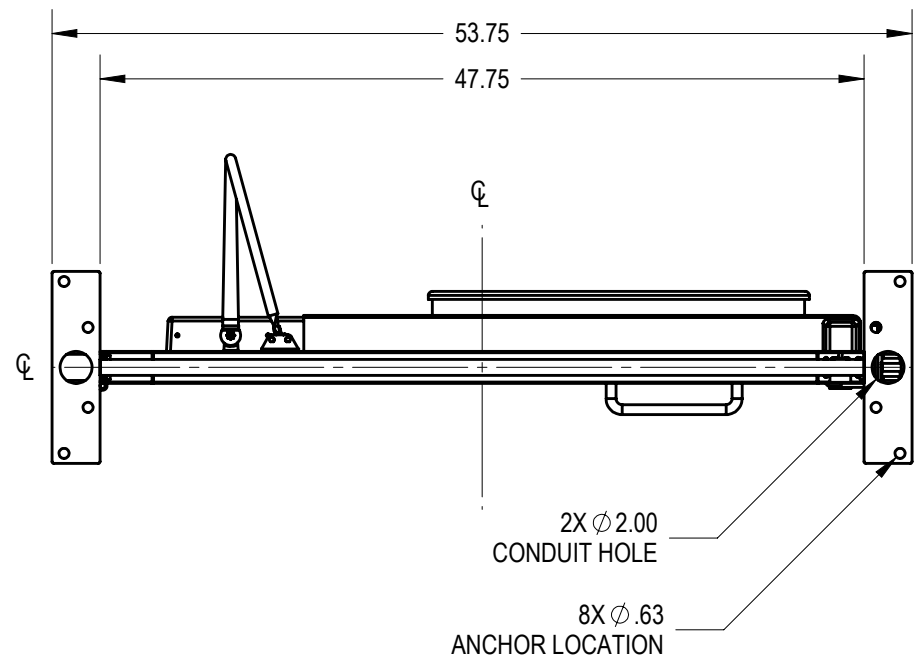
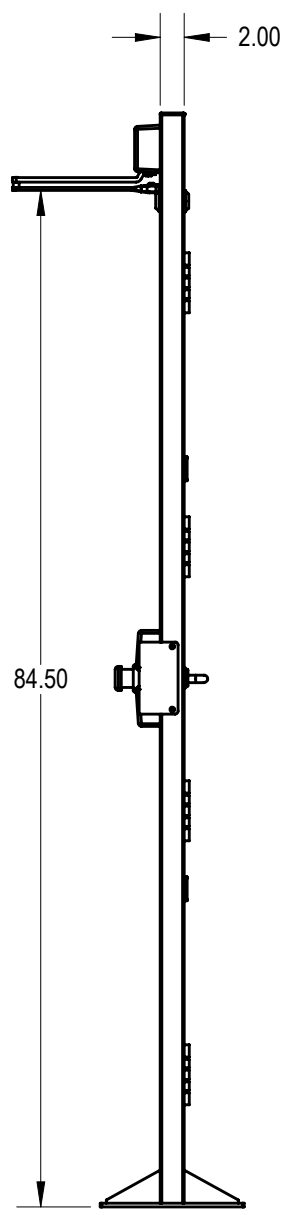
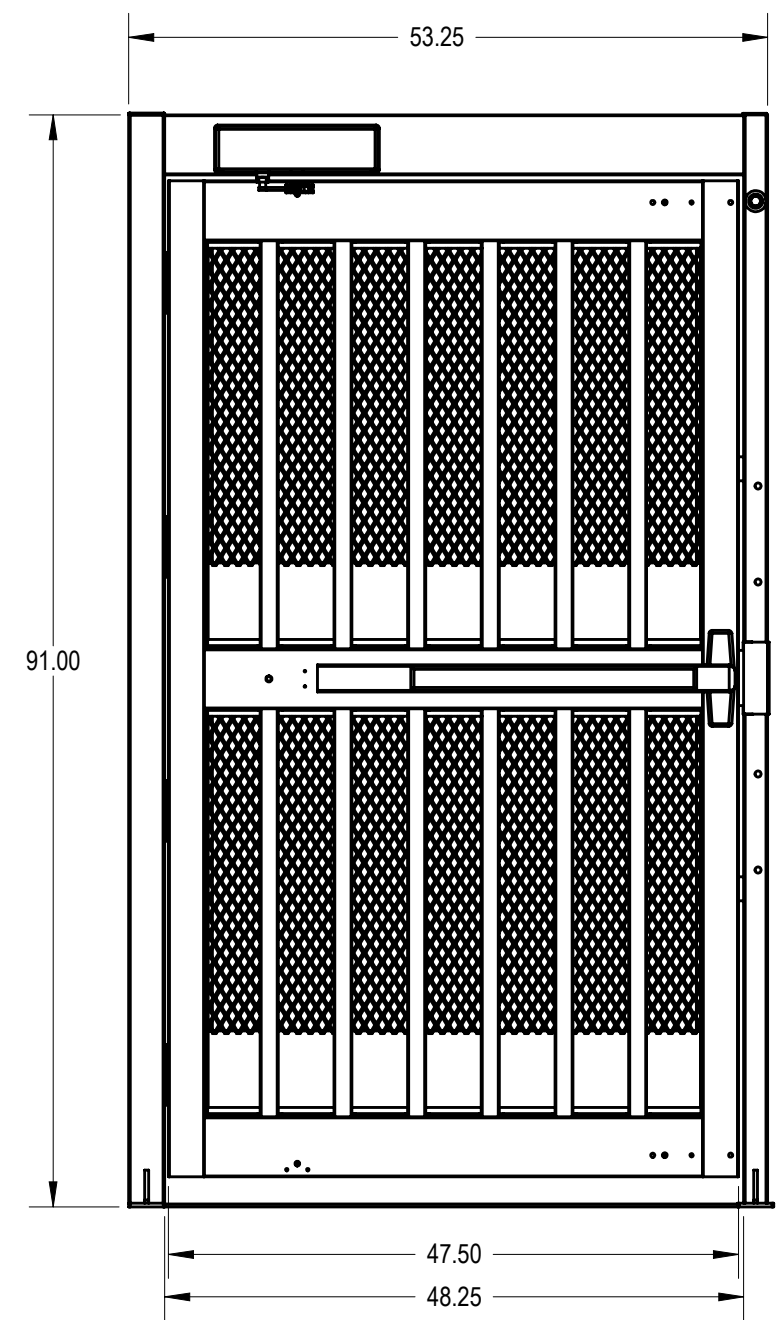
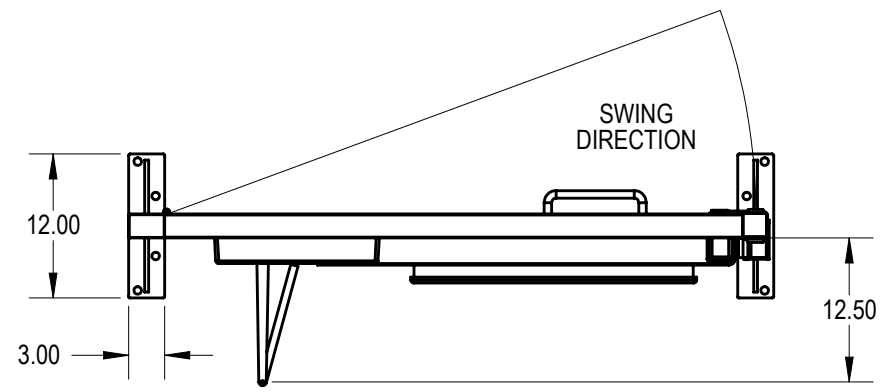


8 7 6 5 4 3 2 1



D  
C  
B  
A

D  
C  
B  
A

NOTES:  
 1. ALL DIMENSIONS ARE APPROXIMATE.  
 2. GATE SHOWN IN LEFT HAND SWING CONFIGURATION. DIMENSIONS ARE TYPICAL FOR BOTH LEFT AND RIGHT HAND SWING DIRECTIONS.

8 7 6 5 4 3 2 1

ENGR: G.MARSALA

**ALVARADO** Alvarado Mfg. Co., Inc.  
 12289 Cedar & Belmont Streets, Canby, OR 97103-8507  
 (503) 263-8744 FAX: (503) 263-1163 alvaradomfg.com

PROPERTY NOTICE: NO USE WITHOUT PRIOR WRITTEN CONSENT

# MSGX-E 48 PLAN, ELEVATION, & FOOTPRINT

SIZE	DWG. NO.	DATE
B	PEF-094	03/03/11
SCALE: 1:24	UNLESS OTHERWISE SPECIFIED DIMENSIONS ARE IN INCHES	
		SHEET 1 OF 1

A