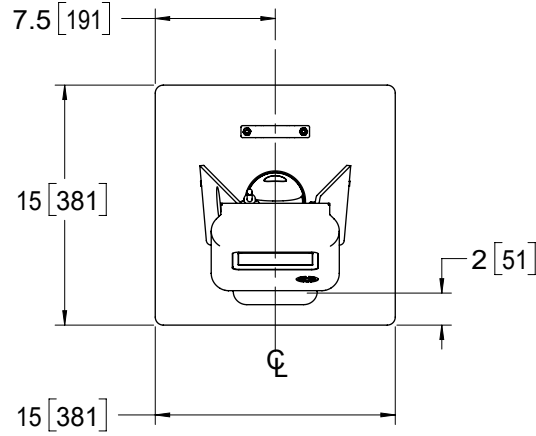


8 7 6 5 4 3 2 1

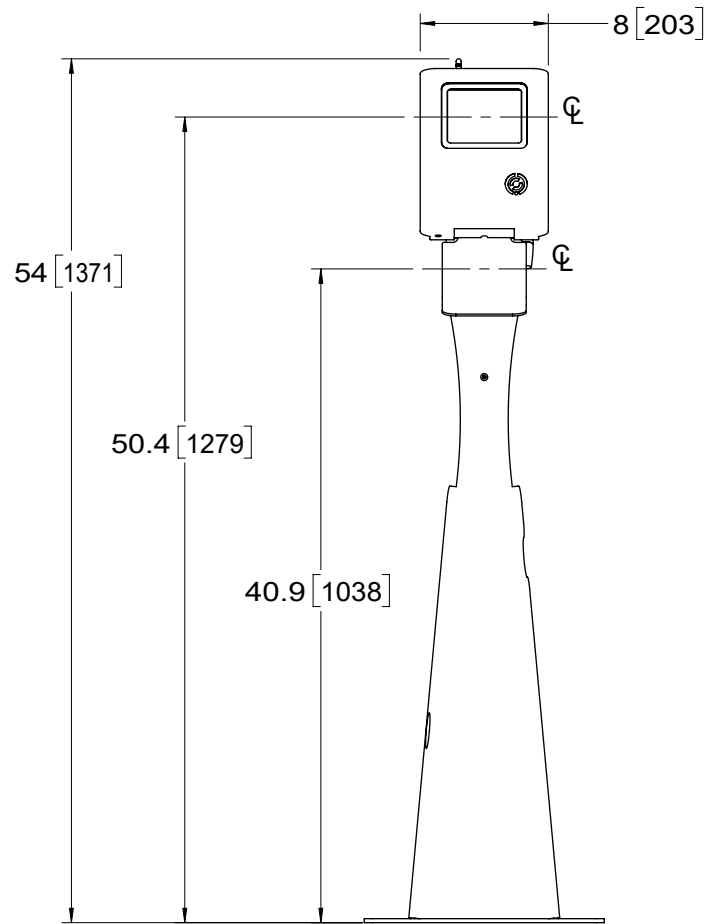
D

D



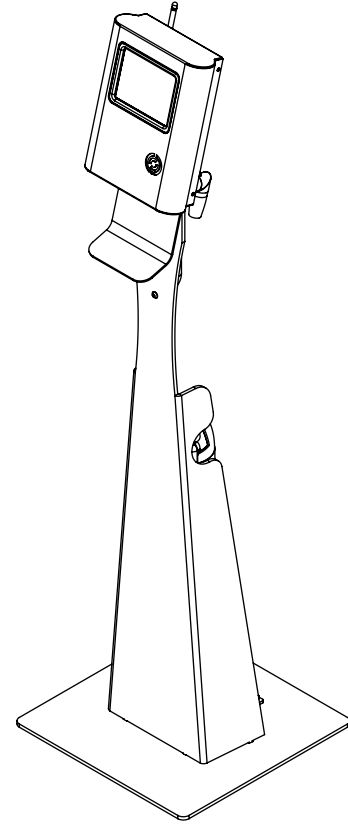
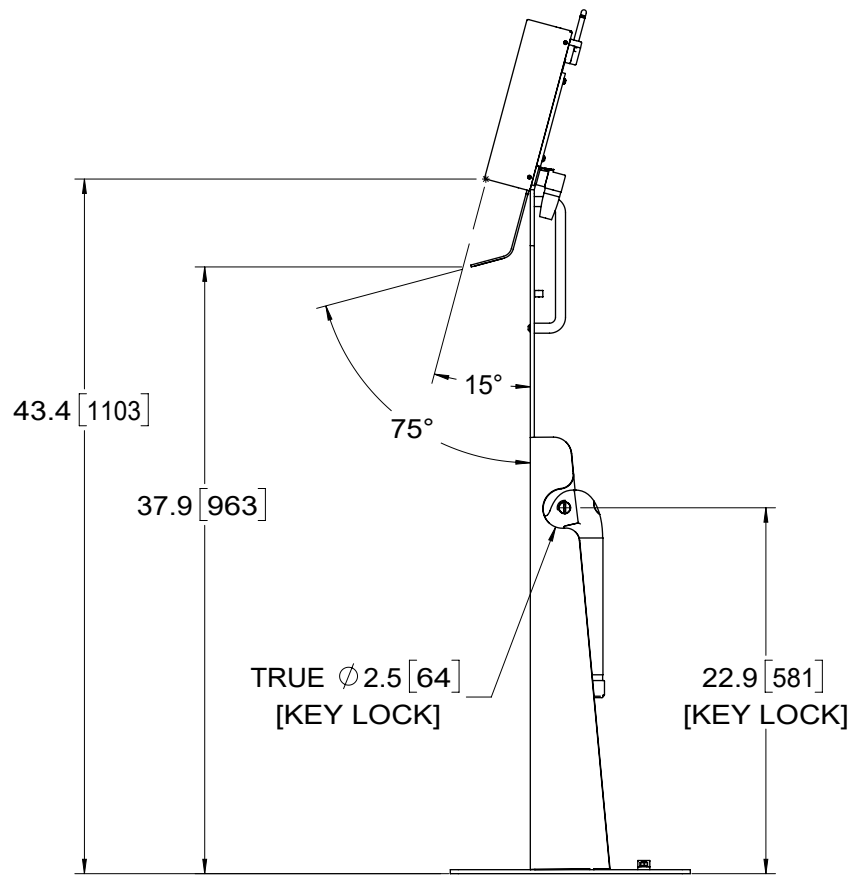
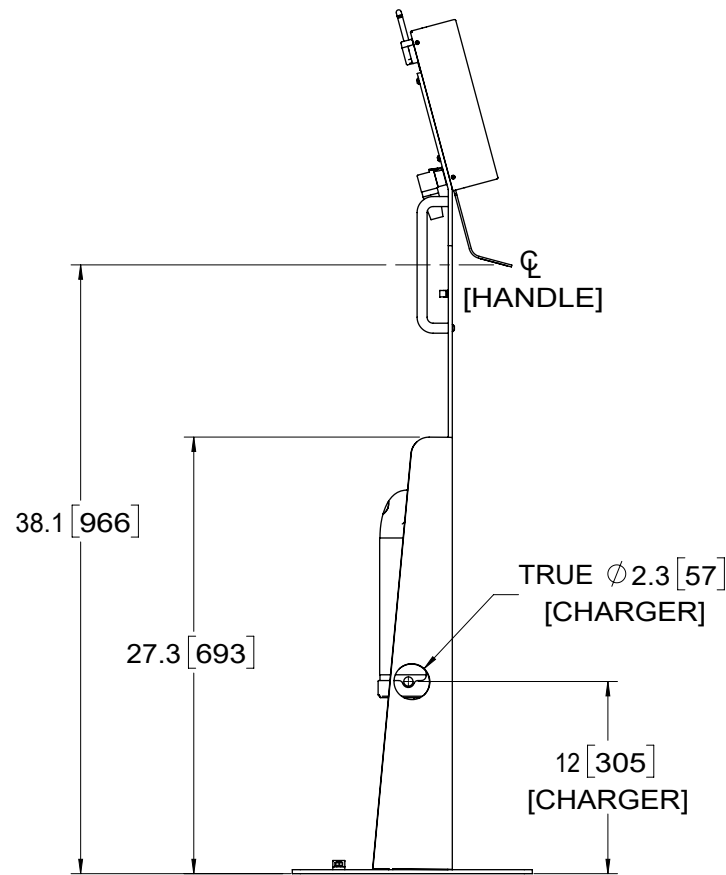
C

C



B

B



A

A

NOTES:
1. ALL DIMENSIONS ARE APPROXIMATE AND IN INCHES [mm].

THIRD ANGLE PROJECTION



PROPRIETARY AND CONFIDENTIAL

THE INFORMATION CONTAINED IN THIS DRAWING IS THE SOLE PROPERTY OF ALVARADO MANUFACTURING INC. ANY REPRODUCTION IN PART OR AS A WHOLE WITHOUT THE WRITTEN PERMISSION OF ALVARADO MANUFACTURING INC. IS PROHIBITED.

DO NOT SCALE DRAWING



Alvarado Mfg. Co. Inc.
12660 Colony Street, Chino, CA 91710
909.591.8431 - 909.628.1403 (Fax)
www.alvaradomfg.com

TITLE:

INTRAQ PEDESTAL V2

	NAME	DATE	SIZE	DWG. NO.	REV
DRAWN	RGM	5/10/2016	B	PEF-611	D
CHECKED					
ENGR	RPL	5/10/2016	SCALE: 1:12	SHEET 1 OF 1	

8 7 6 5 4 3 2 1