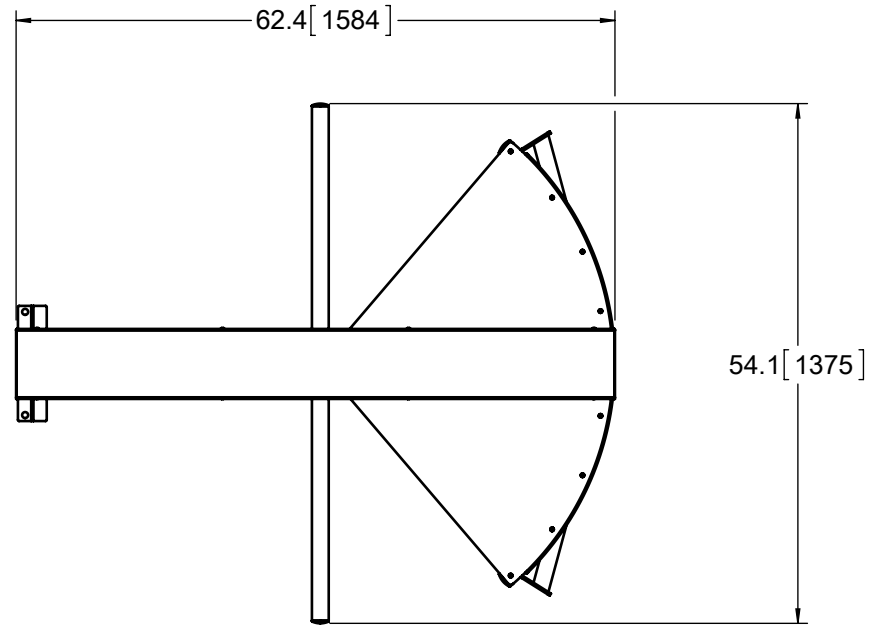


8 7 6 5 4 3 2 1

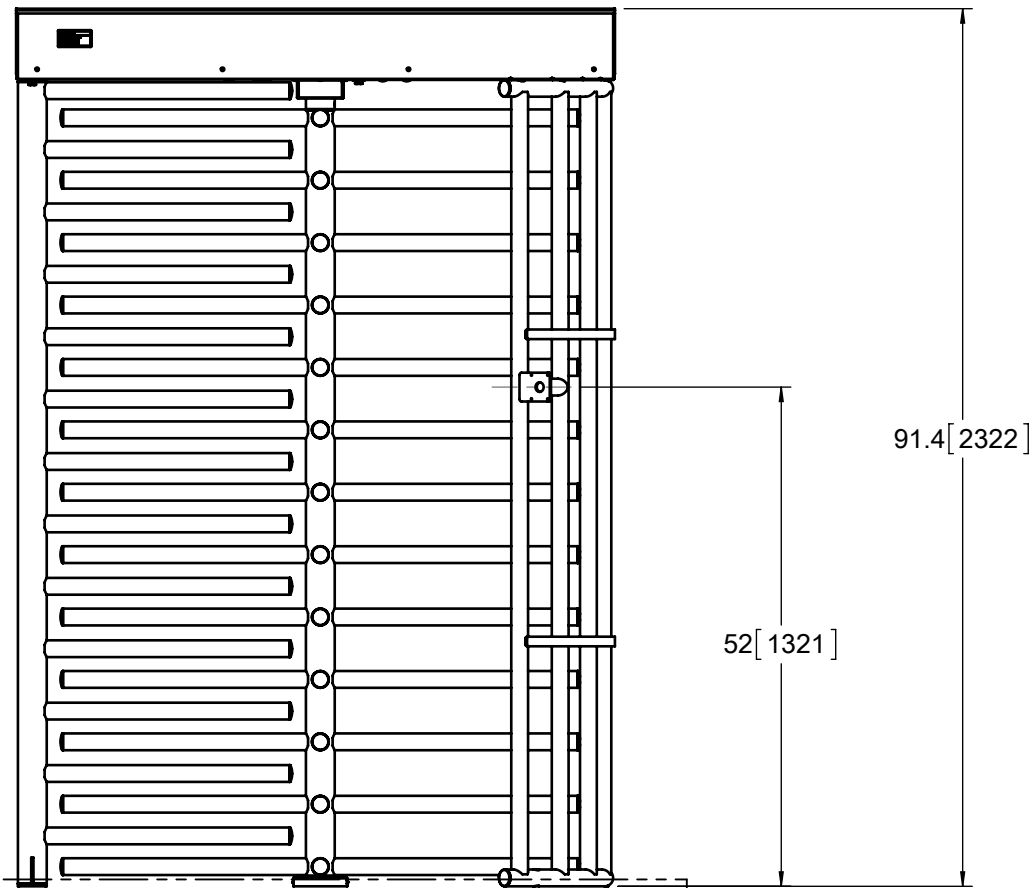
D



C

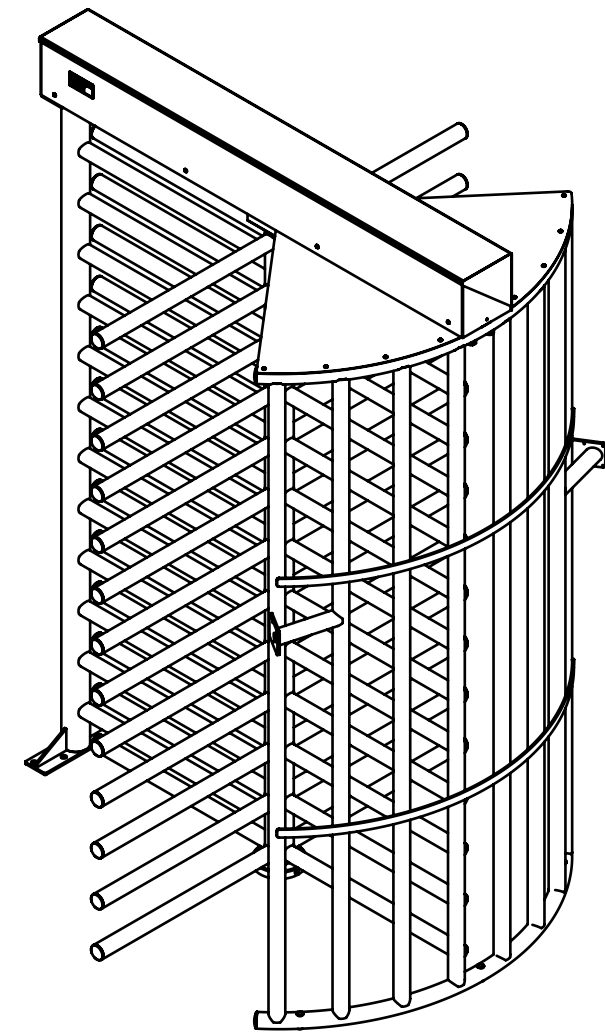
B

A



NOTES:

1. ALL DIMENSIONS ARE APPROXIMATE AND IN INCHES [mm].



D

C

B

A

THIRD ANGLE PROJECTION



PROPRIETARY AND CONFIDENTIAL

THE INFORMATION CONTAINED IN THIS DRAWING IS THE SOLE PROPERTY OF ALVARADO MANUFACTURING INC. ANY REPRODUCTION IN PART OR AS A WHOLE WITHOUT THE WRITTEN PERMISSION OF ALVARADO MANUFACTURING INC. IS PROHIBITED.

DO NOT SCALE DRAWING



Alvarado Mfg. Co. Inc.
12660 Colony Street, Chino, CA 91710
909.591.8431 - 909.628.1403 (Fax)
www.alvaradomfg.com

TITLE:

FMST

	NAME	DATE	SIZE	DWG. NO.	REV
DRAWN	RGM	7/22/2015	B	PEF-008	A
CHECKED					
ENGR	RPL	7/22/2015	SCALE: 1:20	SHEET 1 OF 2	

8 7 6 5 4 3 2 1

8 7 6 5 4 3 2 1

D

D

C

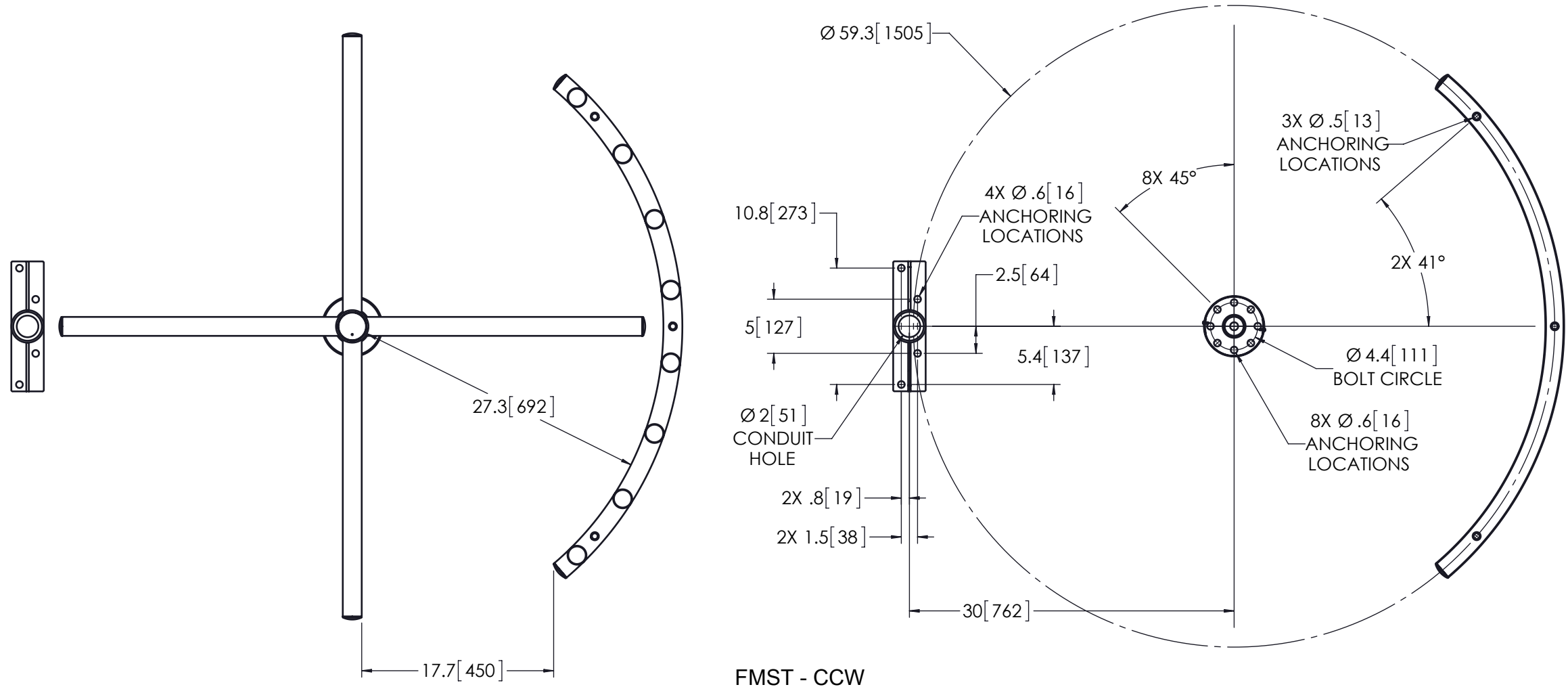
C

B

B

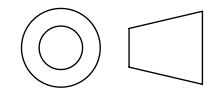
A

A



FMST - CCW
SECTION A-A
(DO NOT SCALE)

THIRD ANGLE PROJECTION



PROPRIETARY AND CONFIDENTIAL
 THE INFORMATION CONTAINED IN THIS DRAWING IS THE SOLE PROPERTY OF ALVARADO MANUFACTURING INC. ANY REPRODUCTION IN PART OR AS A WHOLE WITHOUT THE WRITTEN PERMISSION OF ALVARADO MANUFACTURING INC. IS PROHIBITED.

DO NOT SCALE DRAWING



Alvarado Mfg. Co. Inc.
 12660 Colony Street, Chino, CA 91710
 909.591.8431 - 909.628.1403 (Fax)
 www.alvaradomfg.com

TITLE:

FMST

	NAME	DATE	SIZE	DWG. NO.	REV
DRAWN	RGM	7/22/2015	B	PEF-008	A
CHECKED					
ENGR	RPL	7/22/2015	SCALE: 1:22	SHEET 2 OF 2	

8 7 6 5 4 3 2 1