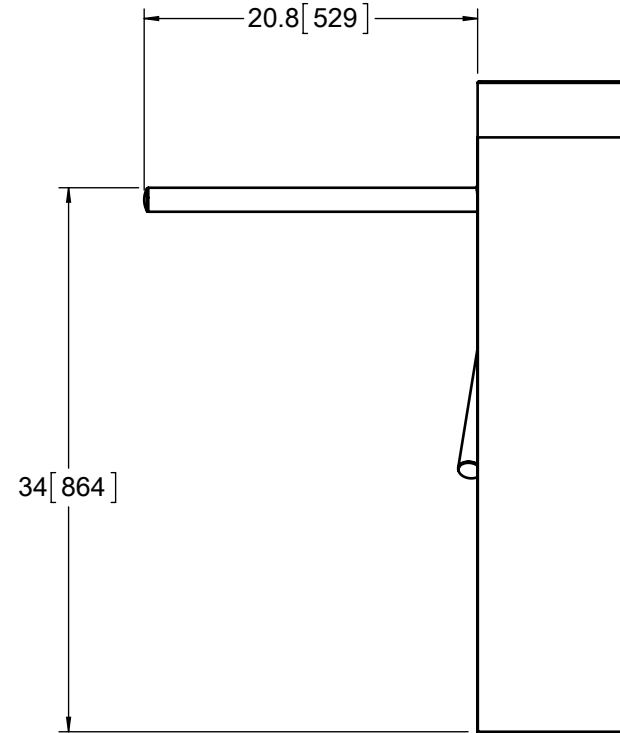
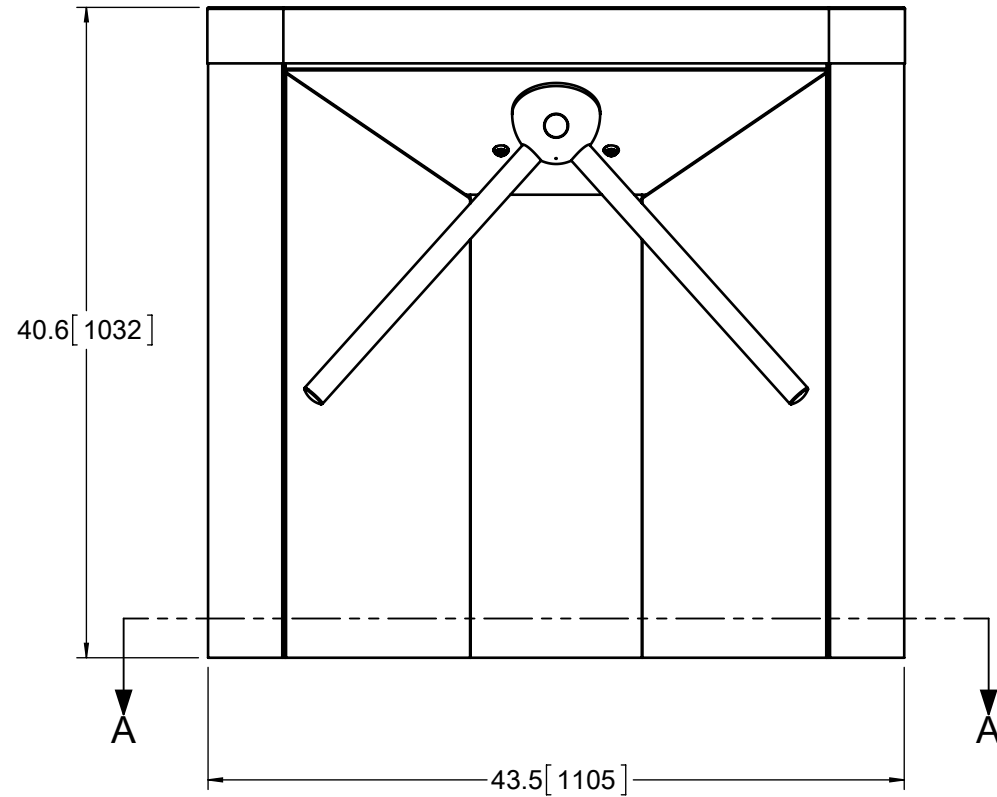
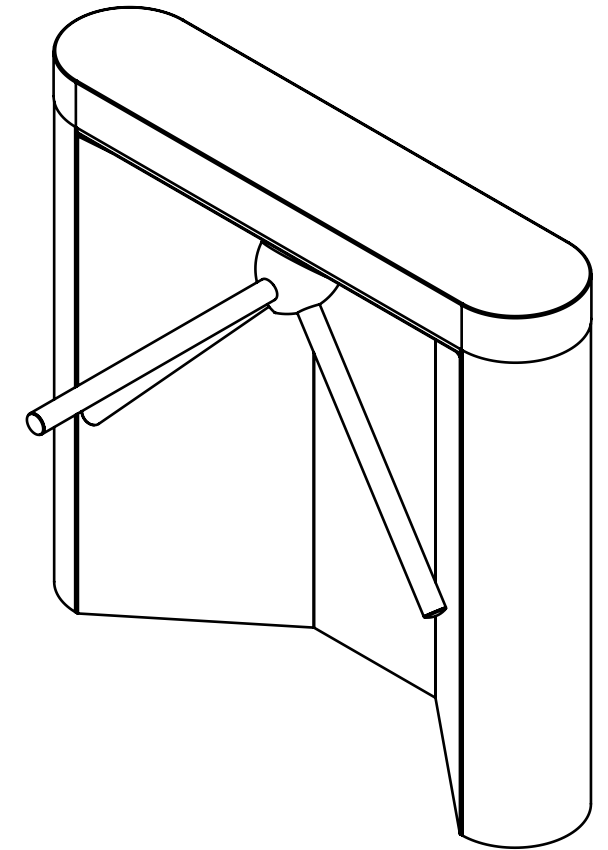
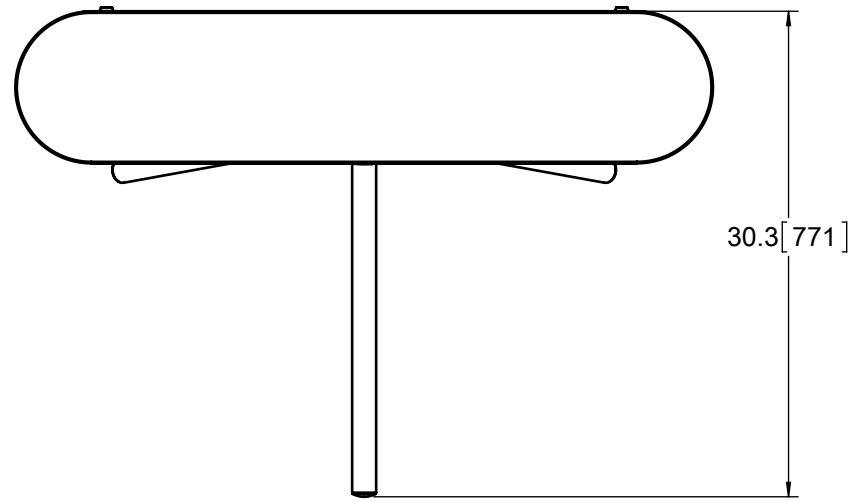


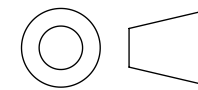
8 7 6 5 4 3 2 1

D
C
B
A



NOTES:
1. ALL DIMENSIONS ARE APPROXIMATE AND IN INCHES [mm].

THIRD ANGLE PROJECTION



PROPRIETARY AND CONFIDENTIAL
THE INFORMATION CONTAINED IN THIS DRAWING IS THE SOLE PROPERTY OF ALVARADO MANUFACTURING INC. ANY REPRODUCTION IN PART OR AS A WHOLE WITHOUT THE WRITTEN PERMISSION OF ALVARADO MANUFACTURING INC. IS PROHIBITED.

DO NOT SCALE DRAWING



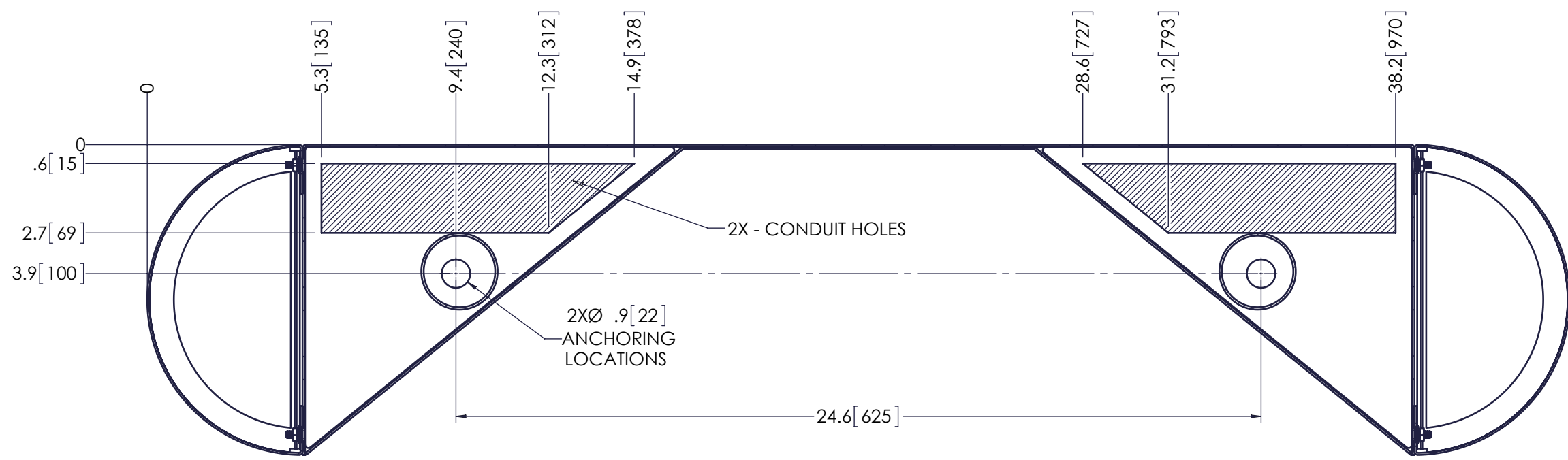
Alvarado Mfg. Co. Inc.
12660 Colony Street, Chino, CA 91710
909.591.8431 - 909.628.1403 (Fax)
www.alvaradomfg.com

TITLE:

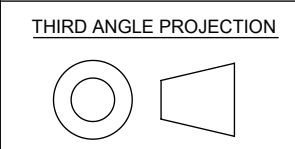
EDC, 43.5" CABINET

	NAME	DATE	SIZE	DWG. NO.	REV
DRAWN	RGM	7/22/2015	B	PEF-099	C
CHECKED					
ENGR	RPL	7/22/2015	SCALE: 1:12	SHEET 1 OF 2	

8 7 6 5 4 3 2 1



EDC-BN, 43.5" CABINET
SECTION A-A
(DO NOT SCALE)



PROPRIETARY AND CONFIDENTIAL
THE INFORMATION CONTAINED IN THIS DRAWING IS THE SOLE PROPERTY OF ALVARADO MANUFACTURING INC. ANY REPRODUCTION IN PART OR AS A WHOLE WITHOUT THE WRITTEN PERMISSION OF ALVARADO MANUFACTURING INC. IS PROHIBITED.

ALVARADO
Alvarado Mfg. Co. Inc.
12660 Colony Street, Chino, CA 91710
909.591.8431 - 909.628.1403 (Fax)
www.alvaradomfg.com

TITLE:
EDC, 43.5" CABINET

	NAME	DATE	SIZE	DWG. NO.	REV
DRAWN	RGM	7/22/2015	B	PEF-099	C
CHECKED					
DO NOT SCALE DRAWING			ENGR	RPL	7/22/2015
			SCALE: 1:12	SHEET 2 OF 2	