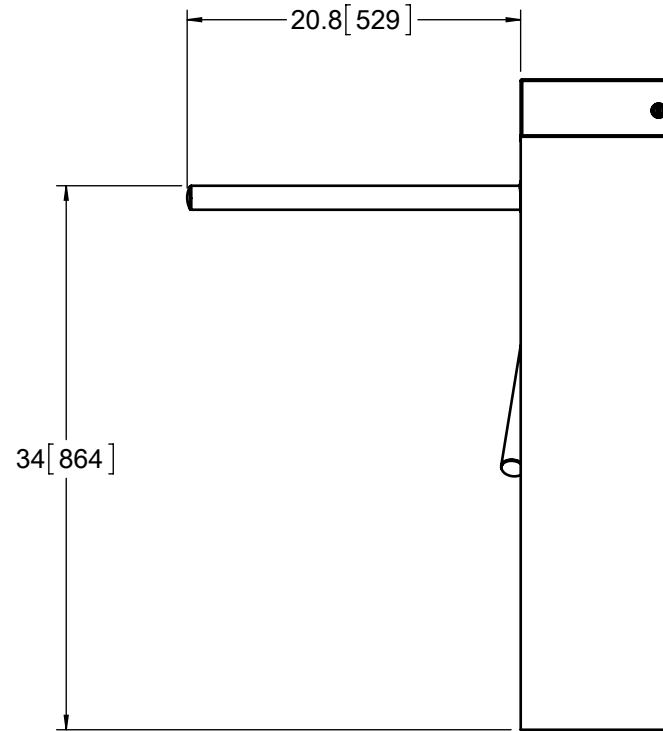
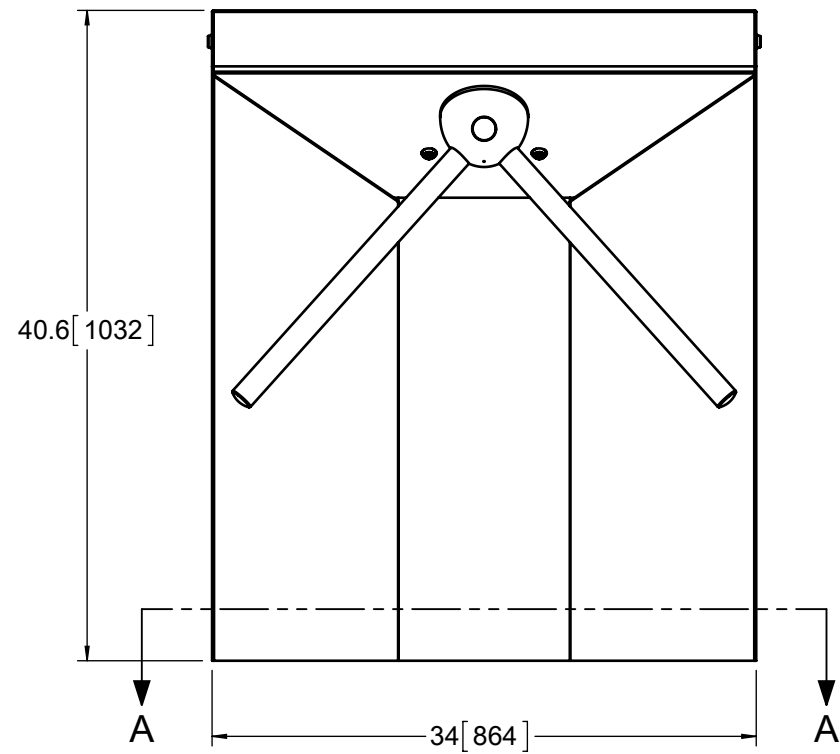
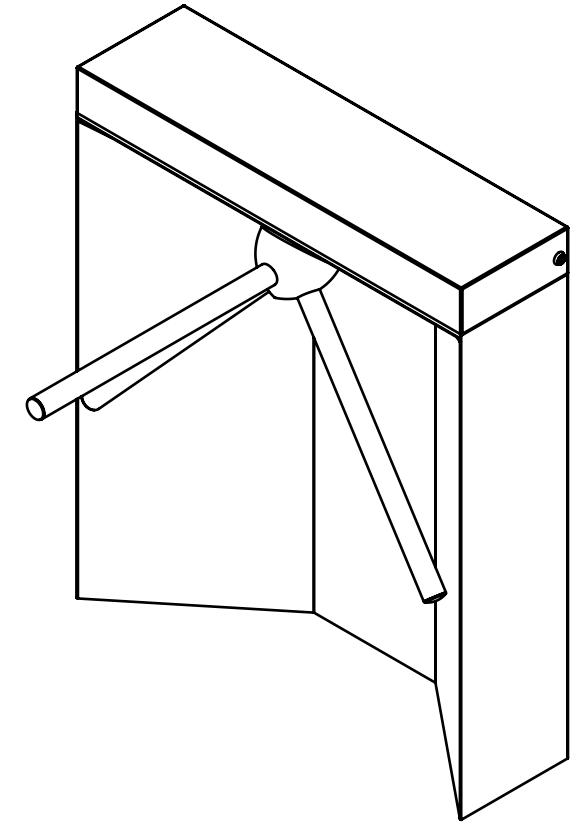
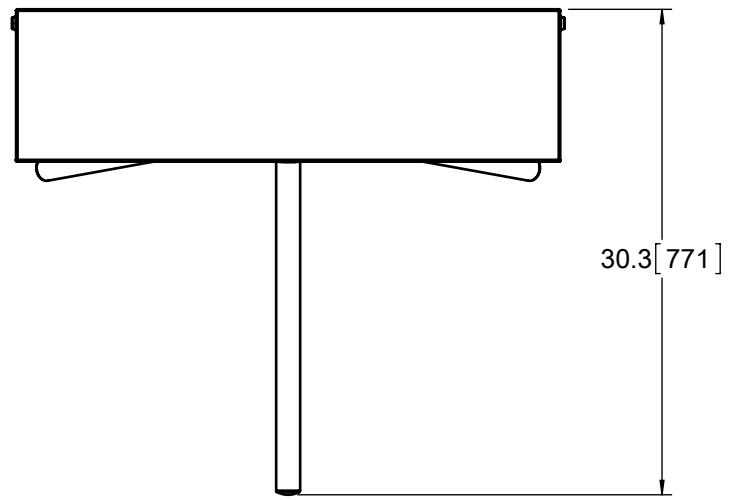


8 7 6 5 4 3 2 1

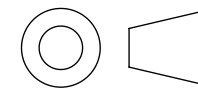
D  
C  
B  
A



NOTES:

1. ALL DIMENSIONS ARE APPROXIMATE AND IN INCHES [mm].

THIRD ANGLE PROJECTION



PROPRIETARY AND CONFIDENTIAL

THE INFORMATION CONTAINED IN THIS DRAWING IS THE SOLE PROPERTY OF ALVARADO MANUFACTURING INC. ANY REPRODUCTION IN PART OR AS A WHOLE WITHOUT THE WRITTEN PERMISSION OF ALVARADO MANUFACTURING INC. IS PROHIBITED.

DO NOT SCALE DRAWING



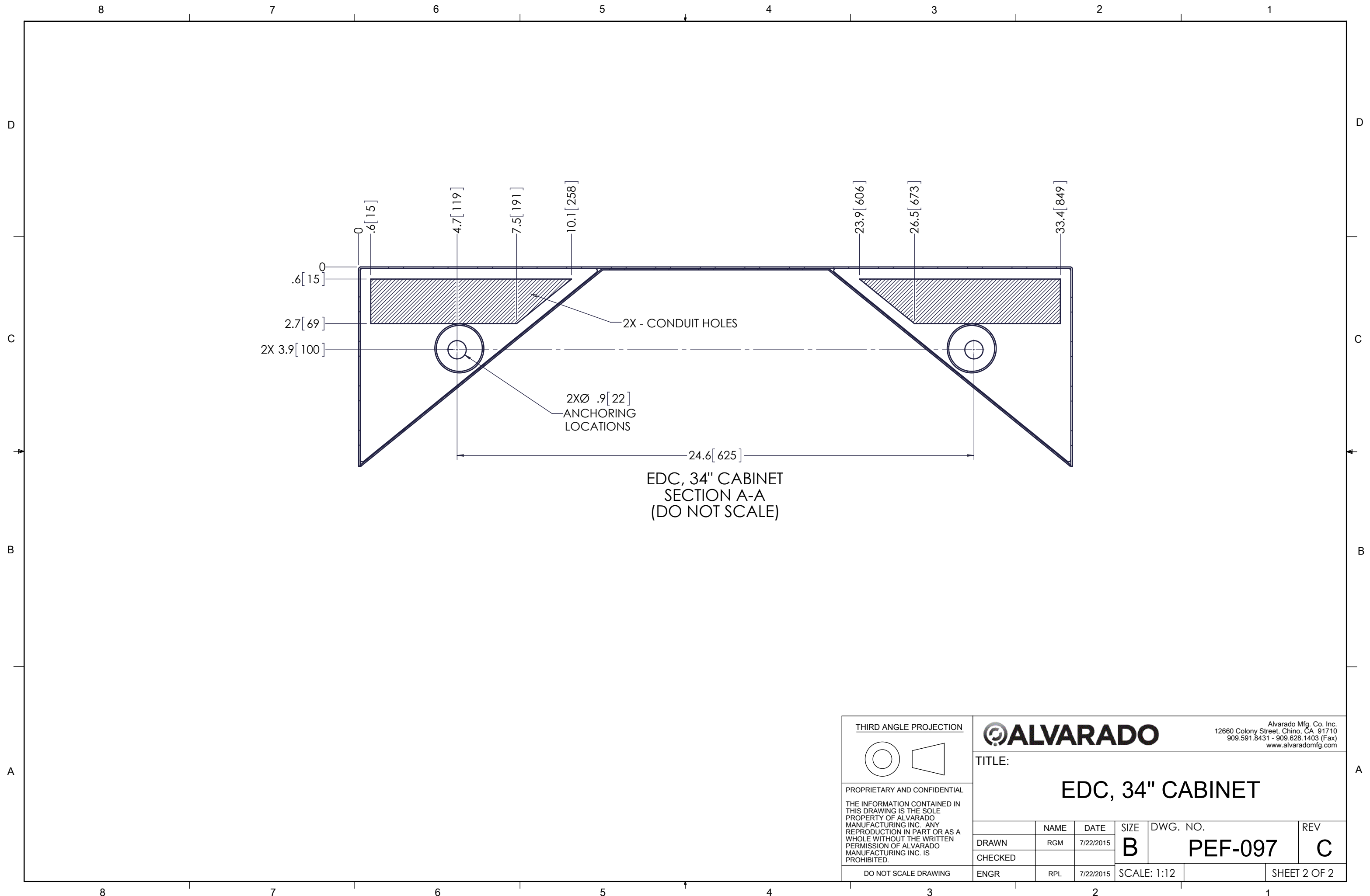
Alvarado Mfg. Co. Inc.  
12660 Colony Street, Chino, CA 91710  
909.591.8431 - 909.628.1403 (Fax)  
www.alvaradomfg.com

TITLE:

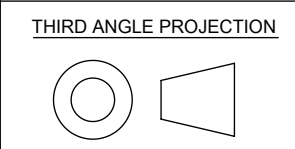
EDC, 34" CABINET

	NAME	DATE	SIZE	DWG. NO.	REV
DRAWN	RGM	7/22/2015	B	PEF-097	C
CHECKED					
ENGR	RPL	7/22/2015	SCALE: 1:12	SHEET 1 OF 2	

8 7 6 5 4 3 2 1



EDC, 34" CABINET  
SECTION A-A  
(DO NOT SCALE)



PROPRIETARY AND CONFIDENTIAL  
THE INFORMATION CONTAINED IN THIS DRAWING IS THE SOLE PROPERTY OF ALVARADO MANUFACTURING INC. ANY REPRODUCTION IN PART OR AS A WHOLE WITHOUT THE WRITTEN PERMISSION OF ALVARADO MANUFACTURING INC. IS PROHIBITED.

DO NOT SCALE DRAWING

**ALVARADO**  
Alvarado Mfg. Co. Inc.  
12660 Colony Street, Chino, CA 91710  
909.591.8431 - 909.628.1403 (Fax)  
www.alvaradomfg.com

TITLE:  
**EDC, 34" CABINET**

	NAME	DATE	SIZE	DWG. NO.	REV
DRAWN	RGM	7/22/2015	<b>B</b>	<b>PEF-097</b>	<b>C</b>
CHECKED					
ENGR	RPL	7/22/2015	SCALE: 1:12		SHEET 2 OF 2