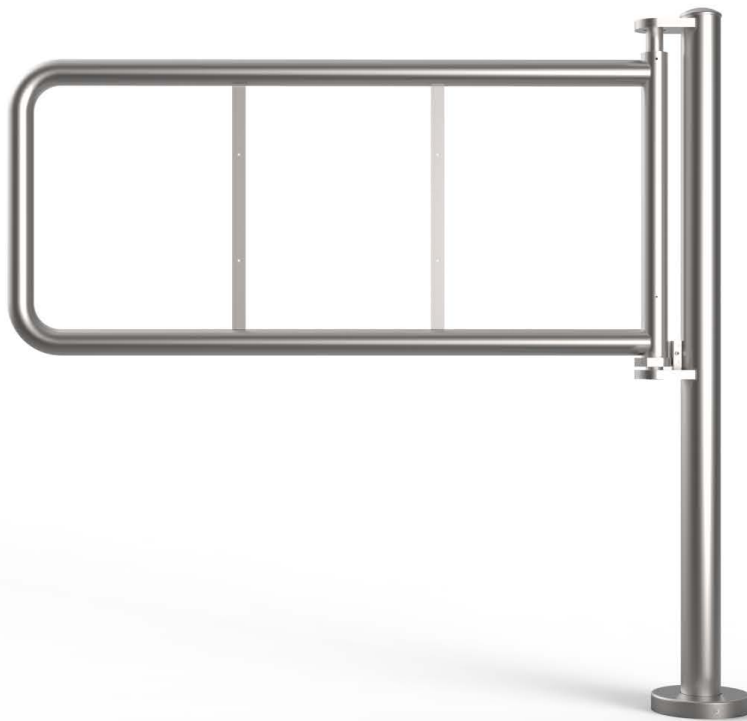


# CSG and SSG

## Pedestrian Gate

CSG and SSG pedestrian gates are versatile self-closing gates that can be field configured to swing either bi-directionally or in a single direction.



### TYPICAL INSTALLATION SITES

- Grocery and Retail Stores
- Warehouses
- Entertainment Facilities
- Airports



## FUNCTION

The CSG and SSG are self-closing gates that can be field configured to open either bi-directionally or in a single direction. The gates open easily with minimal force. A reliable, gravity assisted, closure mechanism brings the gate arm back to the home position.

The CCG and SSG are similar in operation, dimensions and available options. The difference between the gates is the CSG has a bright chrome finish. The SSG is stainless steel.

## AVAILABLE CONFIGURATIONS

The CSG and SSB ship in bi-directional swing mode. A stop tab is included to allow the installer to limit the swing direction to one way operation, if desired.

## AVAILABLE FINISHES

The CSG has a bright chrome finish. The SSG is #304 stainless steel, polished to a #4 satin finish.

## MATERIALS

### GATE

The gate is a fully welded assembly consisting of 1.5" OD, 16-gauge tubing welded to a straight 1.5" OD, 11-gauge hinge tube. Two flat bars reinforce the arm and provide an area to attach signage, if desired.

### HINGE POST

The hinge post is a fabricated assembly consisting of 11-gauge tubing, machined parts welded to the tube, a 5.5" diameter base and split base cover. An area to install the included stop tab is provided which allows the user to alter the gate opening to single direction operation.

### GATE CLOSURE

The gate utilizes a gravity closure mechanism that returns the gate to the home position, whether configured for bi-directional or single direction swing operation.

## OPTIONS

### FACTORY ATTACHED RAIL OUTLETS

Railing outlets can be added to the hinge post to allow the attachment of Alvarado 1.75" OD railing.



**GATE LATCH**

A locking latch and latch post can be order to hold the gate in place in the closed position. The latch can accept a small padlock if desired.

**SHIPPING AND SITE PREPARATION**

**SHIPPING**

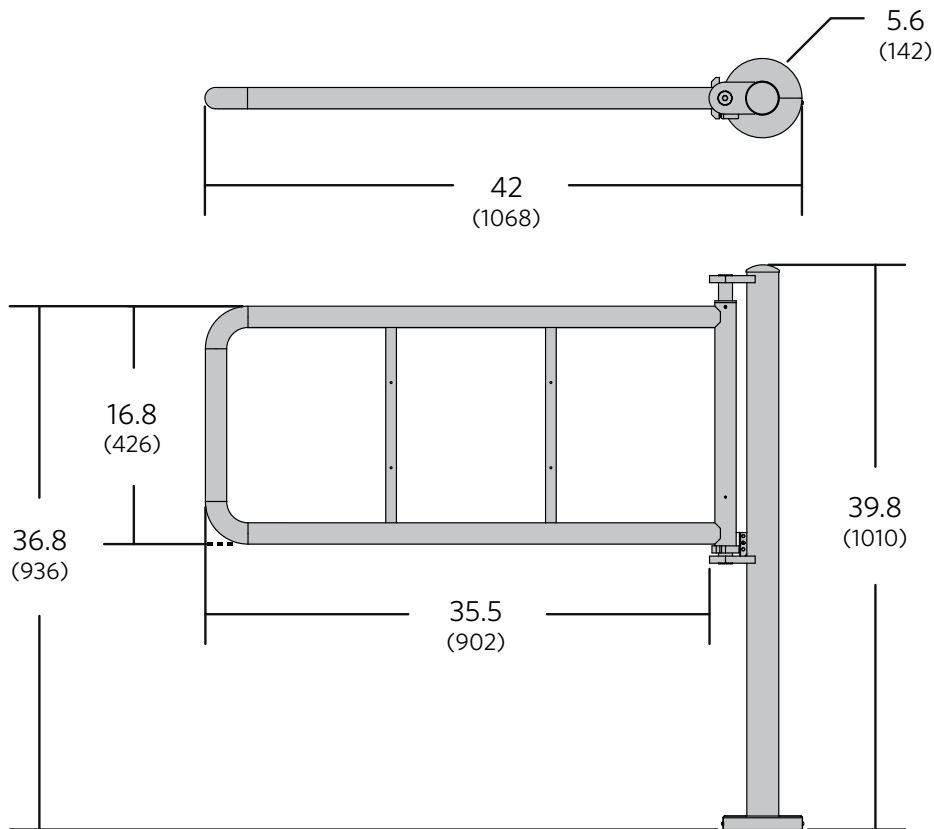
The CSG and SSG are shipped with assembly and operational instructions.

**SITE PREPARATION**

The CSG and SSG must be installed on a firm foundation. The slab platform should be a minimum of 4" deep, level concrete. Installation should be performed by a skilled installer following Alvarado’s instructions. Drawings and installation manuals are available online.

**TECHNICAL DIMENSIONS**

Dimensions are shown in inches (mm). All measurements are approximate.



Shipping Weight	
35 lbs.	15.9 kg

**WARRANTY**

For a period of one year from the date of shipping, Alvarado will replace or repair, at Alvarado’s option, any products or parts which are defective in materials or workmanship, provided recommended installation and maintenance procedures are followed. This warranty is void if damage is due to improper installation, maintenance or use. This warranty is limited to parts only, and does not cover labor or shipping charges incurred in connection with the removal or replacement of warranted products or parts.

This warranty is expressly made in lieu of any and all other warranties, expressed or implied, including, but not limited to implied warranties of merchantability and fitness for a particular purpose. Alvarado shall not be liable for any loss or damage, directly or indirectly, arising from the use of purchased products. In no event shall Alvarado be liable to buyer for consequential damages, special damages, incidental damages, loss of use, business interruption, loss of profits, or damages of any kind arising out of the use or inability to use a purchased product. In NO event shall Alvarado be liable for damages which exceed the purchase price of a covered product.

