



Patron Counting

A large, diverse crowd of people is shown from a low angle, looking towards the camera. The crowd is dense and fills the frame, with many people wearing light-colored clothing. The background is bright and slightly blurred, suggesting an outdoor setting with sunlight. The text "Find strength in numbers." is overlaid in the center of the image, enclosed in large white brackets.

[Find strength in numbers.]



Patron Counting Solutions

Venues worldwide rely on Alvarado for patron counting solutions. For customers who want more than counting hardware, we offer flexible back-end server software that provides real-time entry, exit and in-venue totals as well as a complete database of historic activity.

Whether you're looking for counting turnstiles, a complete turn-key solution or a custom product for specialized applications, Alvarado offers the solutions and support you need.

Common Applications:

- Tracking patron entries, exits or in-venue totals
- Maintaining a historic database of patron entry activity
- Showing entries or in-venue totals on wall displays or large TV monitors
- Custom applications

Optical Counting Turnstile

The SU500 is a barrier-free optical counting turnstile that provides highly accurate patron counts.

Benefits:

- Barrier-free passage increases throughput
- Approved for use by several state gaming commissions
- Optical sensors count as fast as patrons can walk through the passage area
- Can be weatherized for outdoor use



Features:

- Advanced Optical Detection** Advanced optics detect fast and slow moving patrons
- Environmental Light Resistance** Sunlight and ambient lighting does not affect counting accuracy
- Bi-Directional Counting** The SU500 counts in both directions of travel
- Wrong-Way Detection** If used for one-direction counting, a notification alarm can sound if a wrong way passage is detected
- Passage Count Output** Counts are output to GateWatch10 counting software over a TCP/IP network (page 11). Counts can also be output to a digital counter installed in the turnstile cabinet (page 13)
- Cabinet Spacing** Cabinets can be spaced up to 36" apart to accommodate special needs patrons
- Rugged Construction** Highly reliable electronics housed in a stainless steel cabinet with a black solid surface lid

Configurations:

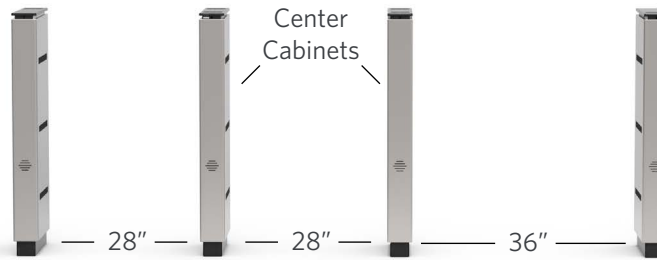
Single Lane Configuration

A pair of end cabinets that create a single lane with a 28" or 36" wide passageway.



Multi-lane Configuration

Center cabinets are added to create multiple lanes; i.e. two end cabinets and two center cabinets create three lanes.



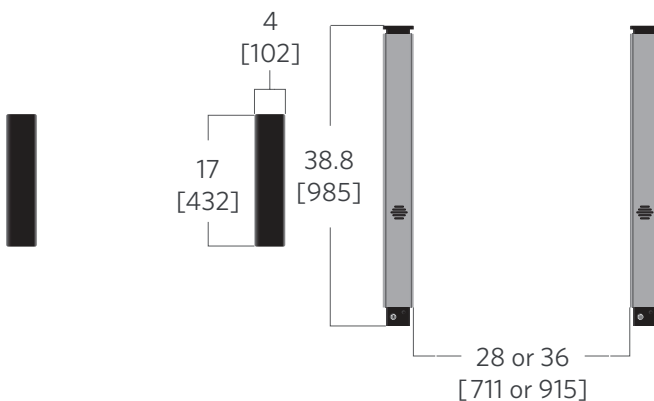
Portable Multi-lane Configuration

Multiple single lanes on portable baseplates are connected by daisy chaining power.



Dimensions:

Dimensions shown in inches and [mm]



Options:

- ✓ Key resettable digital counters installed in the cabinet (one per direction of travel)
- ✓ Powder coated cabinets
- ✓ Alternative lid colors
- ✓ Baseplates for single lane and multi-lane configurations
- ✓ Weatherized for outdoor installation

Patron Counting Turnstile

EDC waist high turnstiles are perfect for high-volume counting applications. Electric and non-electric models are available.



Benefits:

- Designed for long term use
- Field configurable to rotate in one direction or bi-directionally
- Counts patrons as fast as they can walk through the turnstile

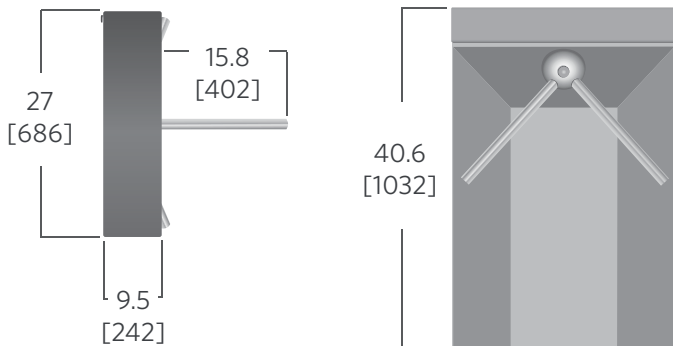
Features:

- Bi-Directional Counting** The EDC-6X utilizes a state-of-the-art controller and non-contact opto-interrupter to detect rotations (requires turnstile to be powered)
 (electric model EDC-6X)
- Single Direction Counting** The EDC-3 uses a non-contact magnetic switch installed inside the turnstile cabinet to detect rotations (turnstile does not require power)
 (manual model EDC-3)
- Rotation Count Output** With a GWCB-12E controller, counts are output to GateWatch10 counting software over a TCP/IP network (page 11). Small digital counters can also be installed in the turnstile cabinet (page 13)
- Smooth Arm Rotation** Smooth turnstile arm rotation with automatic self-centering
- Rugged Construction** Hardened stainless steel internal components and a stainless steel cabinet



Dimensions:

Dimensions shown in inches and [mm]



Options:

- ✓ Key resettable digital counters installed in the cabinet (one per direction of travel)
- ✓ Powder coated cabinet
- ✓ Portable baseplate
- ✓ Extended arms
- ✓ Bullnose (rounded) cabinet ends

Patron Counting Turnstile





SLT waist high counting turnstiles are a high quality, low-cost solution. The SLT does not require power. The turnstile uses a non-contact magnetic switch to detect and output rotation counts.



Benefits:

- Field configurable to rotate in one direction or bi-directionally
- Counts using non-contact rotation detection - no microswitches to adjust
- Counts patrons as fast as they can walk through the passage area

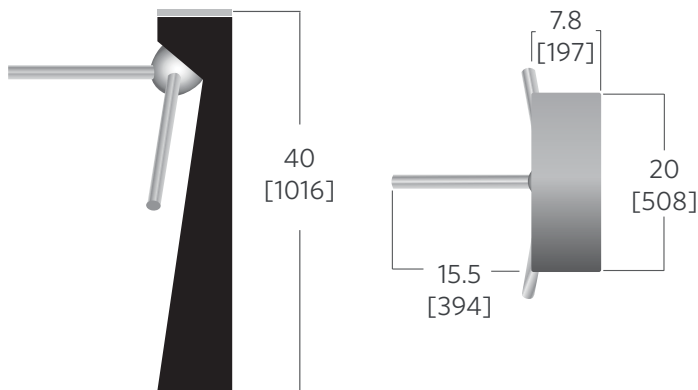
Features:

-  **Single-Direction Counting** The SLT uses a non-contact magnetic switch installed in the turnstile cabinet to detect rotations (turnstile does not require power)
-  **Rotation Count Output** With a GWCB-12E controller, counts are output to GateWatch10 counting software over a TCP/IP network (page 11). Small digital counters can also be installed in the turnstile cabinet (page 13)
-  **Smooth Arm Rotation** Smooth turnstile arm rotation with automatic self-centering
-  **Rugged Construction**. The SLT is designed to provide years of service



Dimensions:

Dimensions shown in inches and [mm]

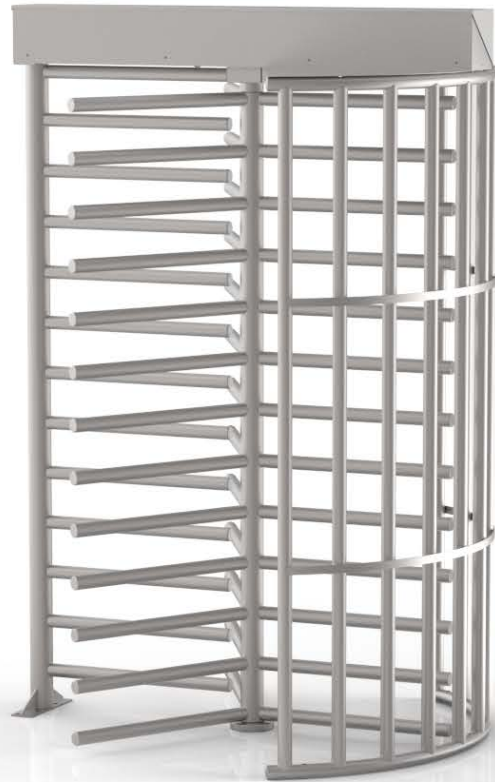


Options:

- ✓ Key resettable digital counter installed in the turnstile cabinet
- ✓ Stainless steel cabinet
- ✓ Portable baseplate

Single Entry Patron Counting Turnstile





The MST full height turnstile is an ideal choice for patron counting applications where the additional security of a full height turnstile is desired.

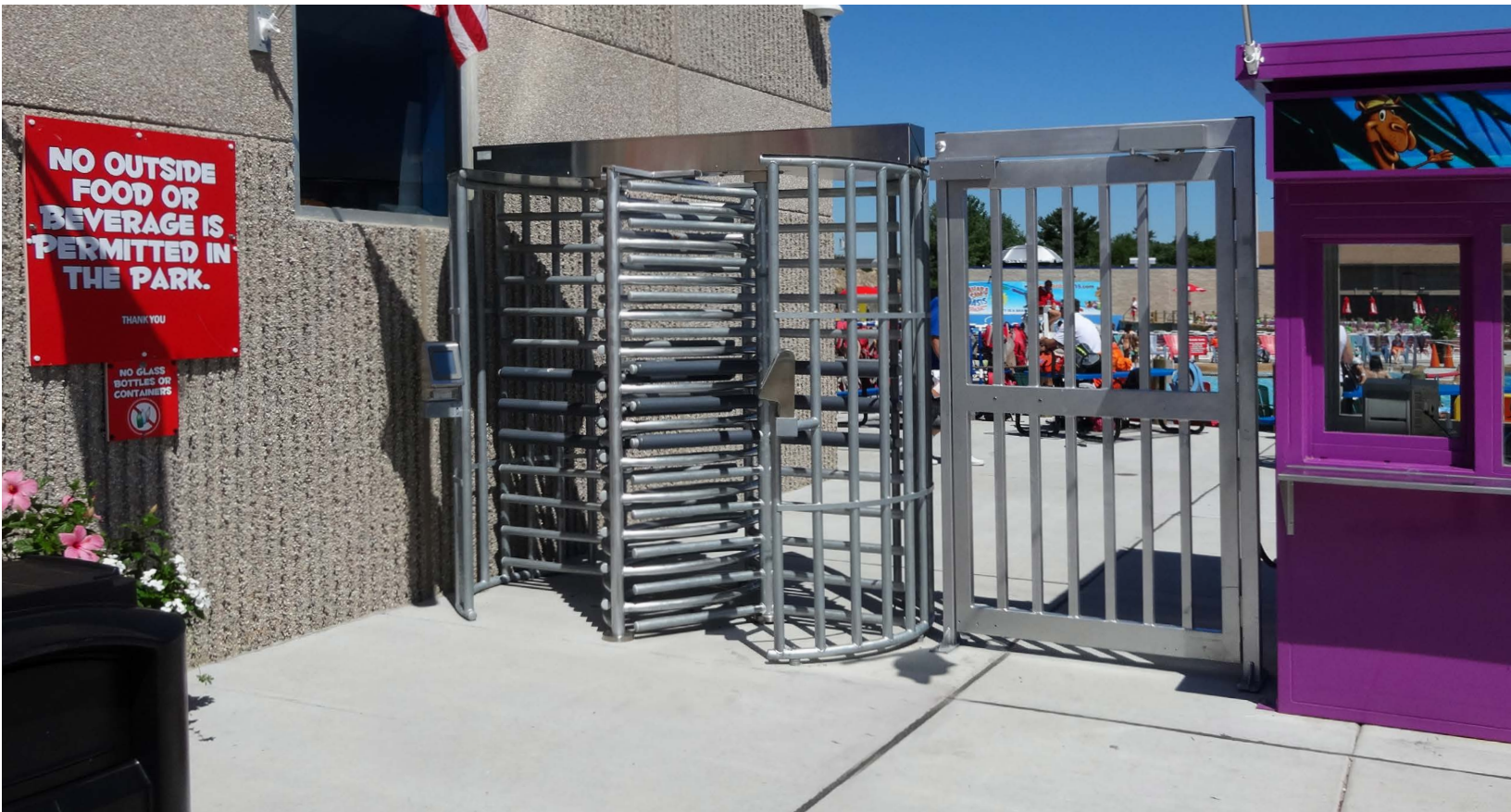


Benefits:

- Field configurable to rotate in one direction or bi-directionally
- Suitable for use at unmanned entrances and exits
- Operates in indoor and outdoor environments
- Rugged and reliable patron counting

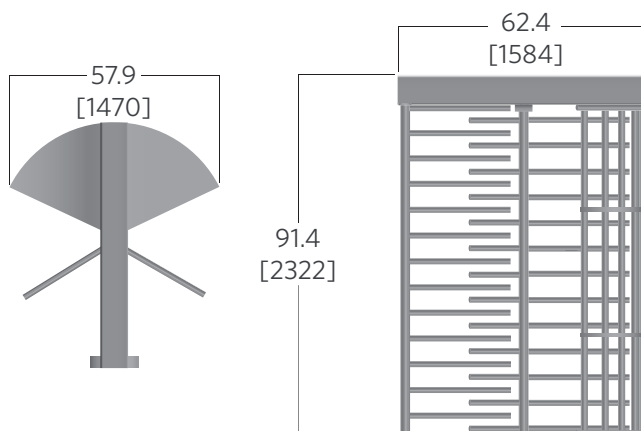
Features:

-  **Bi-Directional Counting** The MST uses a state-of-the-art controller and non-contact opto-interrupter to detect rotations
-  **Rotation Count Output** In conjunction with the GWCB-12E count controller, counts are output to GateWatch10 counting software over a TCP/IP network (page 11)
-  **Speed Control** Provides a safe, controlled passage and smoothly self-centers rotating arms
-  **Rugged Construction** Fully welded steel construction with no exposed bolts or fasteners



Dimensions:

Dimensions shown in inches and [mm]



Options:

- ✓ Galvanized, powder coated and stainless steel finishes
- ✓ Padded heel/arm protective sleeves

GateWatch

Alvarado's GateWatch10 is a server-based patron counting software solution that receives and tracks patron entry, exit and in-venue totals. GateWatch10 provides current totals and stores all historic activity. Going far beyond handheld tally counters and spreadsheets, GateWatch10 helps customers determine staffing levels and gauge the effectiveness of marketing campaigns.

Benefits:

- Tracks entries, exits and in-venue totals
- Provides in-area or in-area totals
- Operates with Alvarado's wide array of patron counting turnstiles



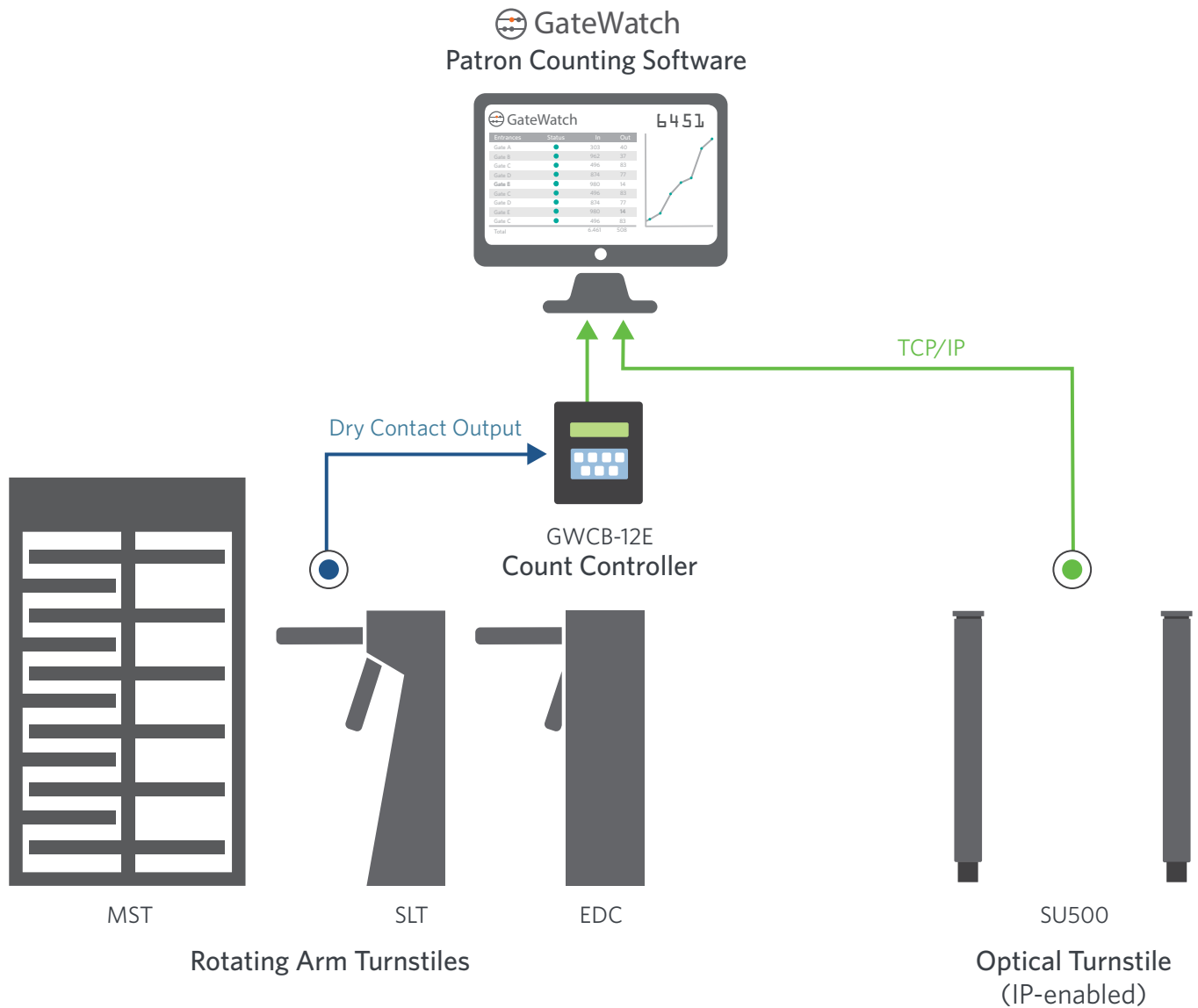
How it works:

GateWatch10 obtains count data from physical counting devices installed at entry and exit points. In the case of our SU500 optical turnstile, which is a TCP/IP enabled device, entry and/or exit counts are transmitted directly from the optical turnstile to GateWatch10 over the facility network.

For turnstiles with rotating arms (EDC, SLT or MST models), each turnstile rotation generates a dry contact output to the GWCB-12E count controller (page 12), which transmits the counts to GateWatch10 over the facility network.

GateWatch10 displays current totals and stores all count information by date and time. The application provides a number of standard reports and graphs. The SQL database can also be queried to create custom reports and information requests.

In the event that the SU500 turnstile(s) or the GWCB-12E count controller cannot communicate with the GateWatch10 server, all counts are stored. Once network communication is restored, all offline counts are automatically uploaded to GateWatch10.



GWCB-12E Count Controller Features:

- 24 TTL I/O lines to accept entry/exit counts from up to 12 counting devices
- Built in 10Base-T Ethernet for communications to GateWatch10 server
- RS485 communication line to output summarized count data to digital counting displays
- An onboard relay output to control external devices when a count threshold is reached (examples include activation of lights, buzzers or HVAC equipment when a defined capacity is reached)



GWCB-12E Count Controller

Options for Displaying Counts

In addition to GateWatch10, real-time patron counts can be displayed using the following methods:



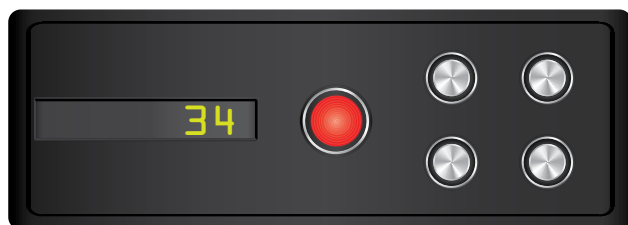
LED Wall Display:

Entry, in-venue or in-area counts can be displayed on a four-digit digital count display.



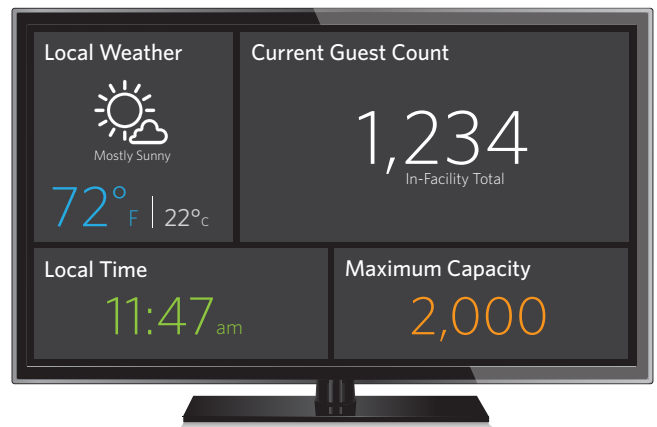
Locally Installed Counter:

Each passage or arm rotation increments a digital counter installed in the turnstile cabinet. A key allows attendants to reset the counters to "0".



Ride Loading Panel:

Counts can be output to an attendant-facing panel. When the number of patrons approaches maximum capacity the panel alerts the attendant. Panel buttons are used to provide custom functionality.



TV Monitor:

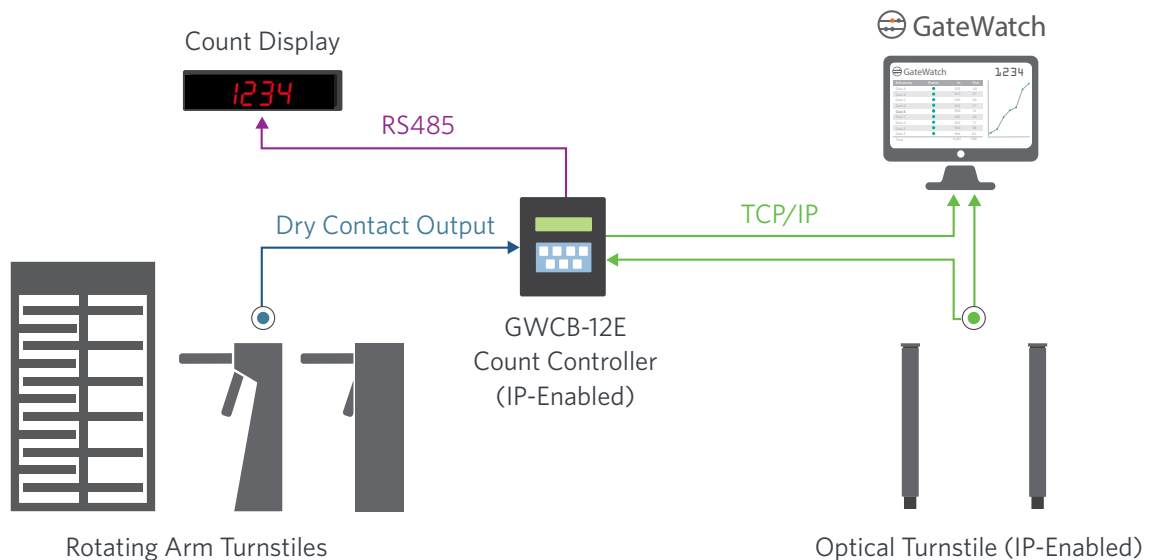
Counts can also be output to a television monitor. In conjunction with GateWatch10, Alvarado provides a web service that retrieves count data from the GateWatch10 database to display using a smart TV's web browser. As part of the web service, items like current local weather reports, current time and/or other information can also be displayed alongside patron totals.

Common Applications

Alvarado counting devices can be used for a variety of applications including the following:

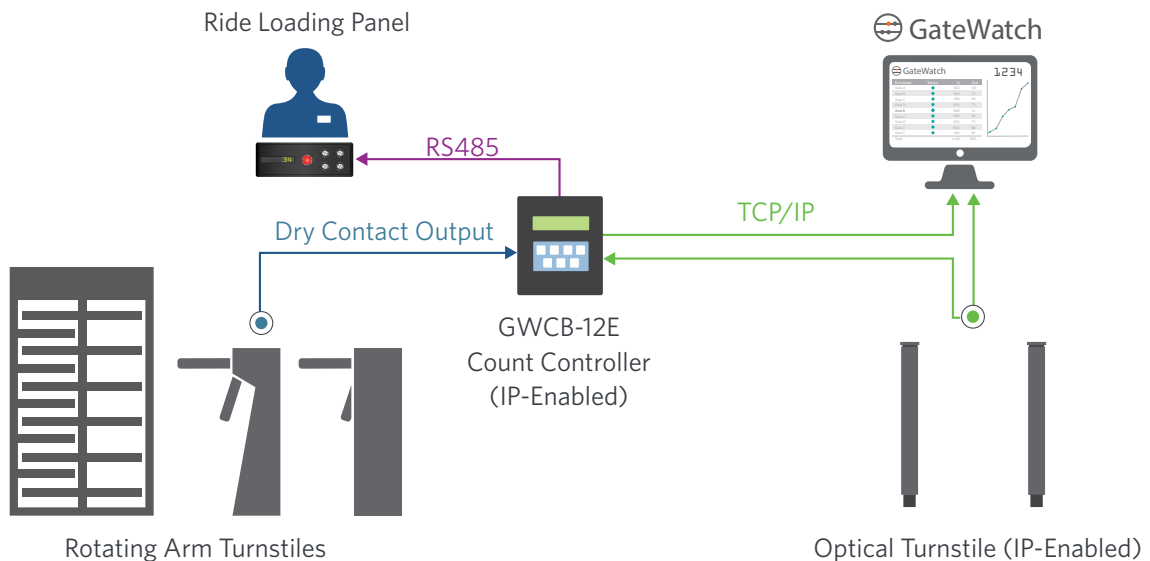
Capacity Counting:

If both entering and exiting patrons are counted, Alvarado's counting devices can provide current in-venue or in-area totals. If desired, when defined capacities are reached, Alvarado can provide a relay output to signal external devices once a defined capacity is reached. For example, the output can turn on a "full" sign until the capacity count goes below the defined threshold.



Ride Loading:

Alvarado can also provide other innovative solutions such as a control panel for ride loading at amusement parks. As patrons pass through the turnstile(s), the system counts down (or up) from a defined capacity. When the number of patrons approaches maximum capacity the panel alerts the attendant through a light and/or sound notification.





Additional resources, including specifications, installation manuals and drawings can be found online.
For more information or to order, call +1 909-591-8431 or visit www.alvaradomfg.com