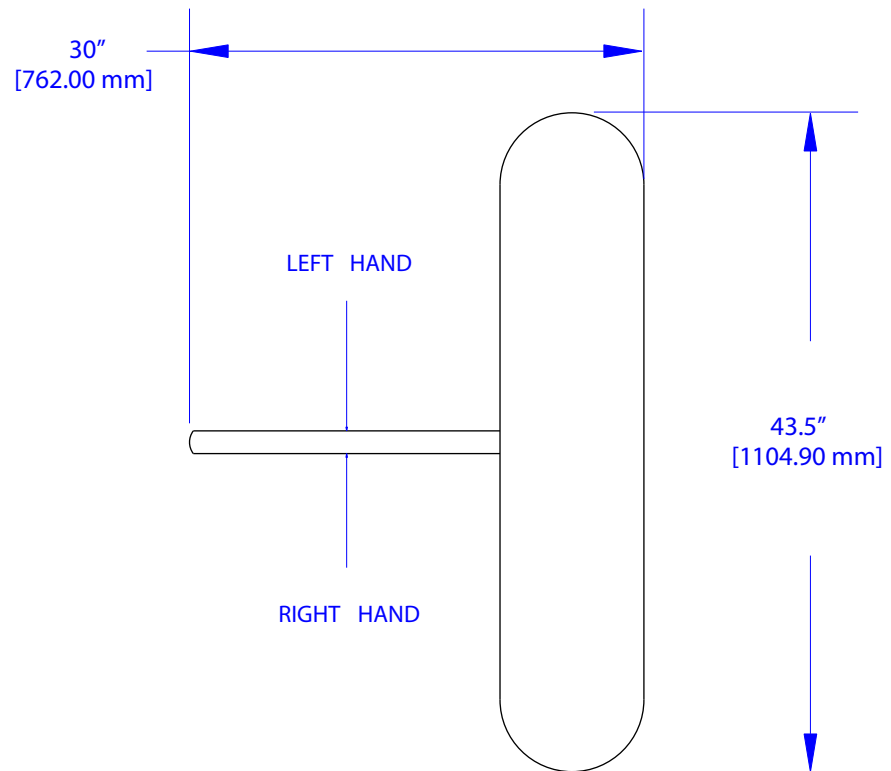
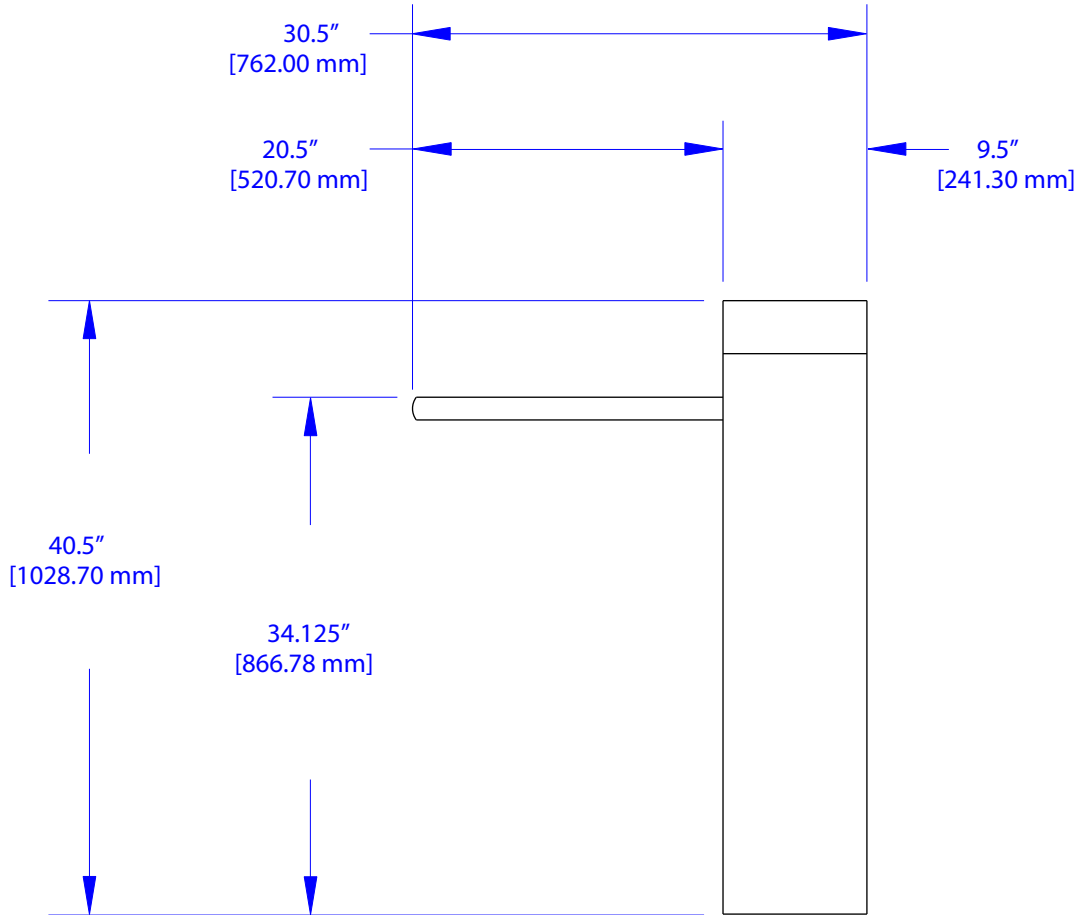
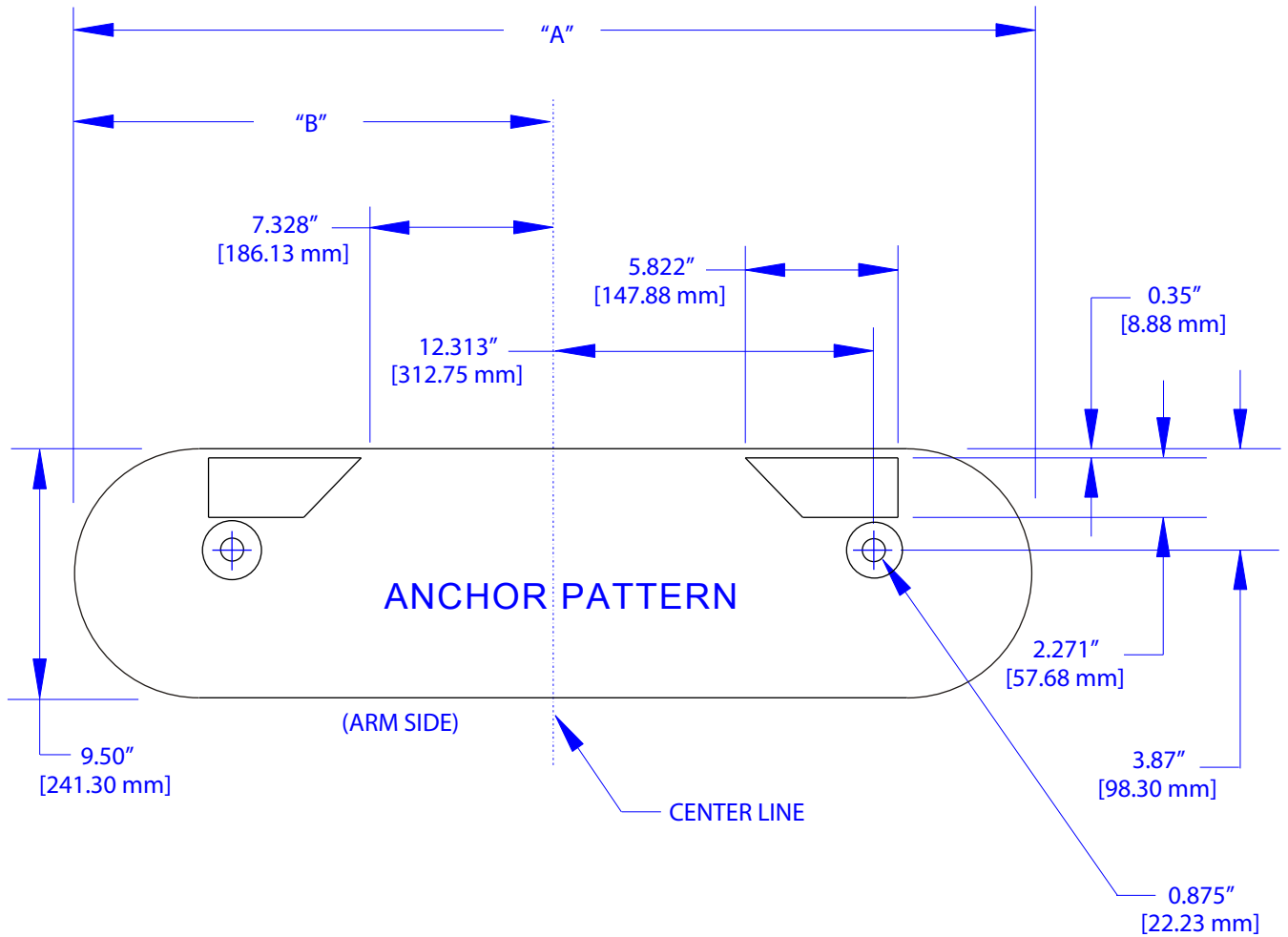




EDC/EDCX Bullnose Extended

ALVARADO MFG CO





LEGEND

- | | <u>"A"</u> | <u>"B"</u> |
|--|-----------------------|-----------------------|
| 1) EDC/EDCX Bullnose Standard Model | 36.5"
[927.10 mm] | 18.25"
[463.55 mm] |
| 2) EDC/EDCX Bullnose Extended Model | 43.5"
[1104.90 mm] | 21.75"
[552.45 mm] |
| 3)  = Anchoring Locations | | |
| 4)  = Conduit Opening Locations | | |