

8 7 6 5 4 3 2 1

D

D

C

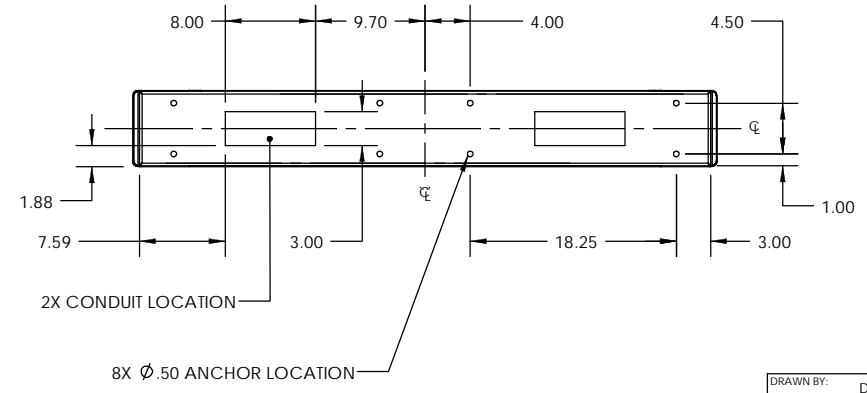
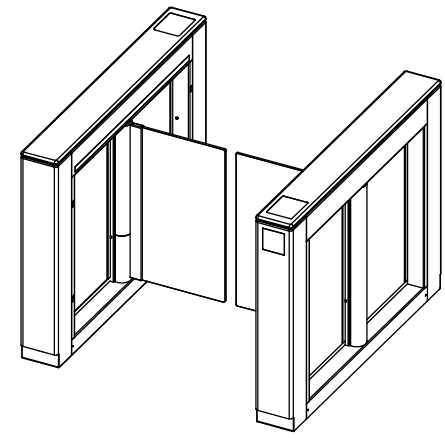
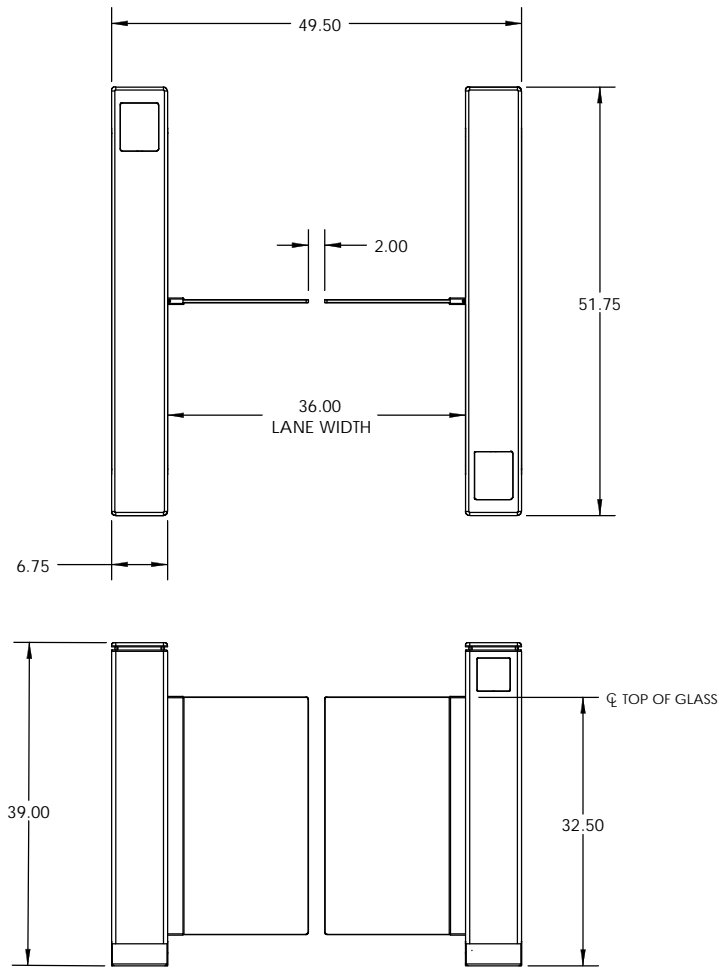
C

B

B

A

A



NOTES:

1. ALL DIMENSIONS ARE APPROXIMATE.
2. NON-OPTICAL SIDE SHOULD BE 6" FROM WALL TO ALLOW FOR SERVICING.
3. ADA LANE WIDTH SHOWN. STANDARD WIDTH (28") LANES SHOULD BE USED FOR GENERAL PURPOSE ENTRY/EXIT CONTROL. ALVARADO RECOMMENDS ADA WIDTH LANES BE RESERVED FOR USE BY PATRONS WITH SPECIAL REQUIREMENTS.

DRAWN BY: DR

ALVARADO MFG.CO.INC.
 12660 COLONY STREET, CHINO, CA. 91710
 PROPERTY NOTICE: NO USE WITHOUT PRIOR WRITTEN CONSENT

SU5000 SHORT GLASS - PLAN, ELEVATION, & FOOTPRINT [1 LANE ADA]

SIZE B	NUMBER PEF-079	DATE 4/6/2010
SCALE: 1:20		UNLESS OTHERWISE SPECIFIED DIMENSIONS ARE IN INCHES
		SHEET 1 OF 1

8 7 6 5 4 3 2 1