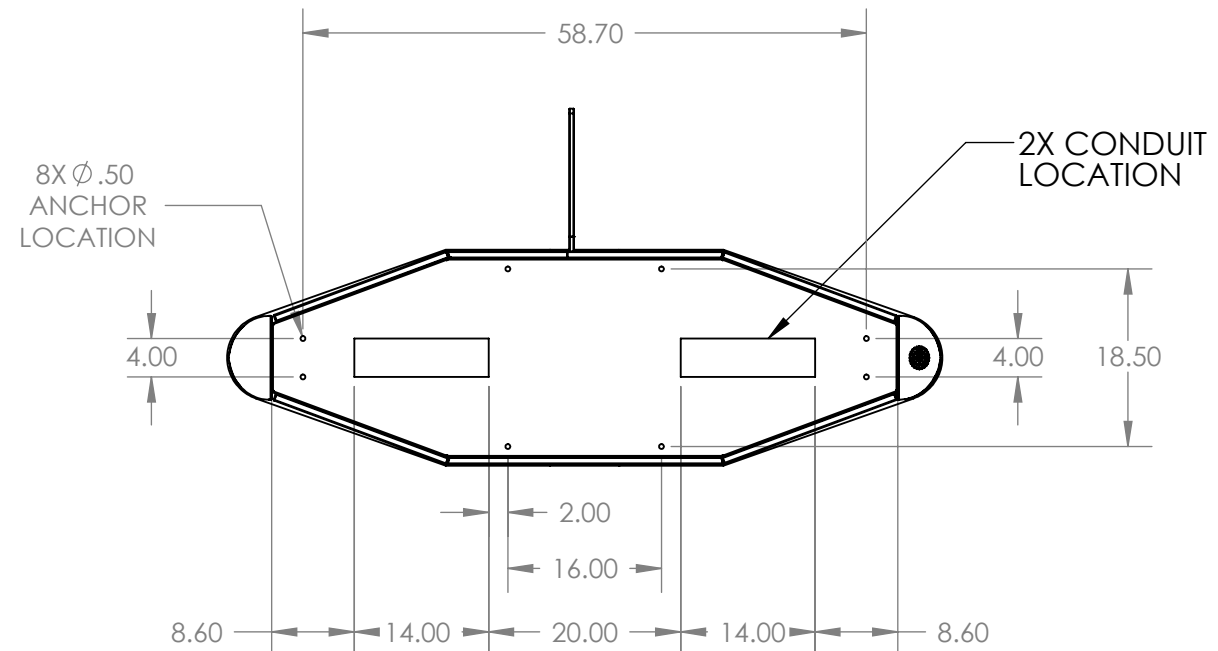
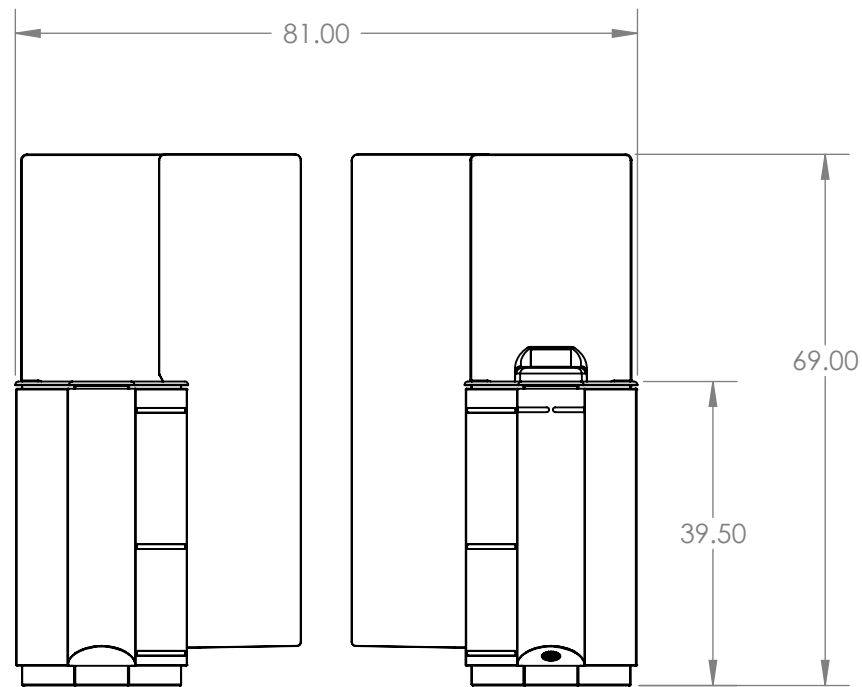
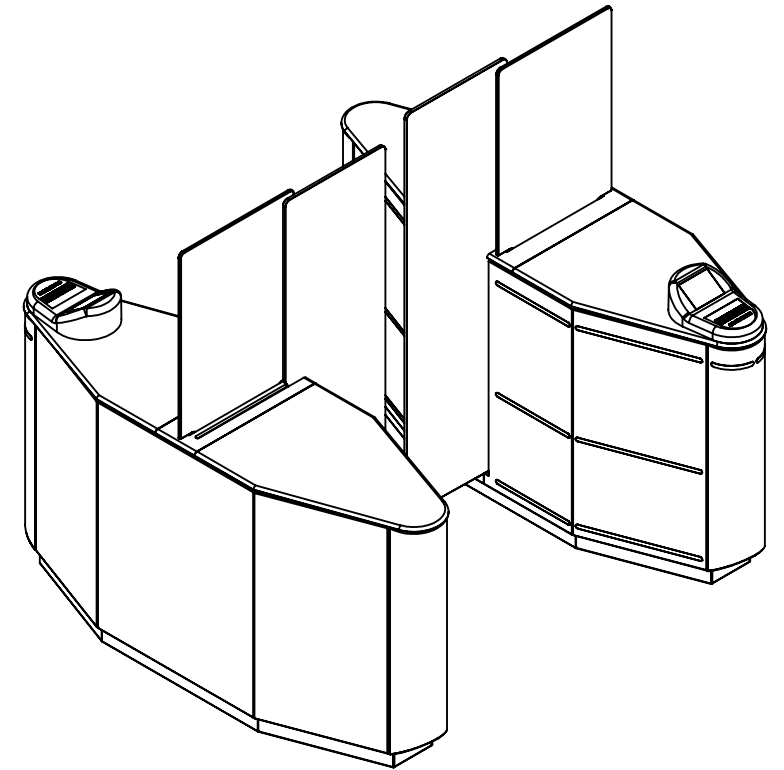
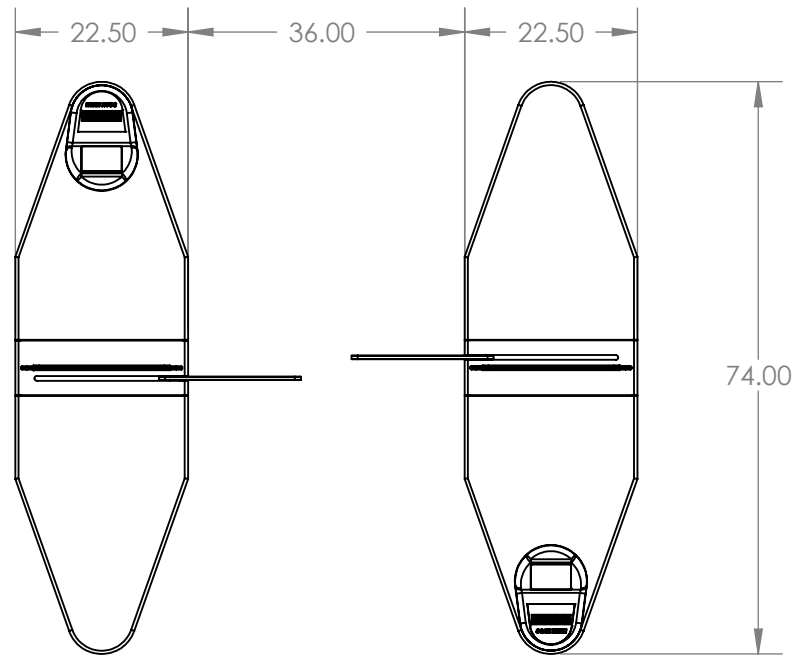


8 7 6 5 4 3 2 1



NOTE:

1. ALL DIMENSIONS ARE APPROXIMATE.
2. NON-OPTICAL SIDE SHOULD BE 6" FROM WALL TO ALLOW FOR SERVICING.
3. ADA LANE WIDTH SHOWN. STANDARD WIDTH (22") LANES SHOULD BE USED FOR GENERAL PURPOSE ENTRY /EXIT CONTROL. ALVARADO RECOMMENDS ADA WIDTH LANES BE RESERVED FOR USE BY PATRONS WITH SPECIAL REQUIREMENTS.

ENGR L.HOANG

**ALVARADO MFG.CO.INC.**

12660 COLONY STREET, CHINO, CA. 91710

PROPERTY NOTICE: NO USE WITHOUT PRIOR WRITTEN CONSENT

**SU4000 PLAN, ELEVATION & FOOTPRINT**  
**[1 LANE ADA]**

SIZE	NUMBER	DATE
<b>B</b>	<b>PEF-048</b>	9/8/2009
SCALE: 1:25		UNLESS OTHERWISE SPECIFIED DIMENSIONS ARE IN INCHES
		SHEET 1 OF 1

8 7 6 5 4 3 2 1