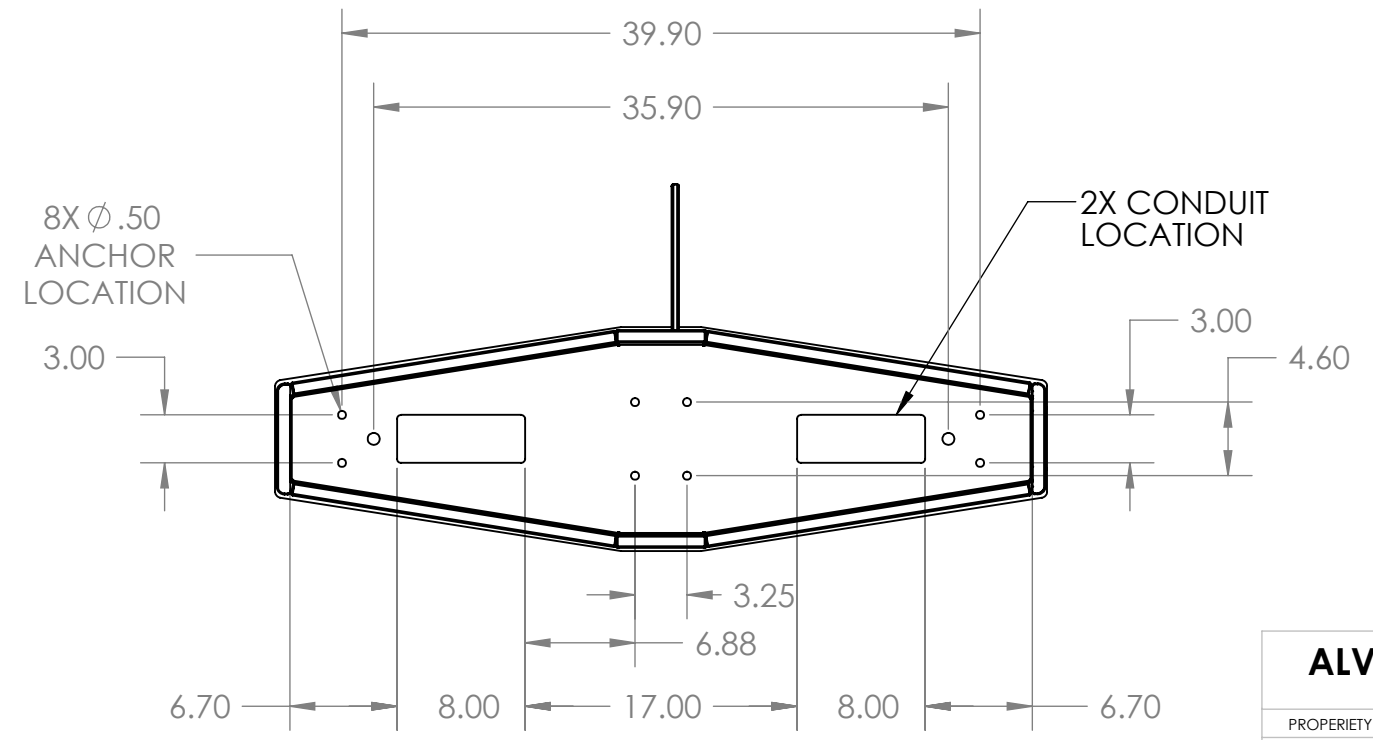
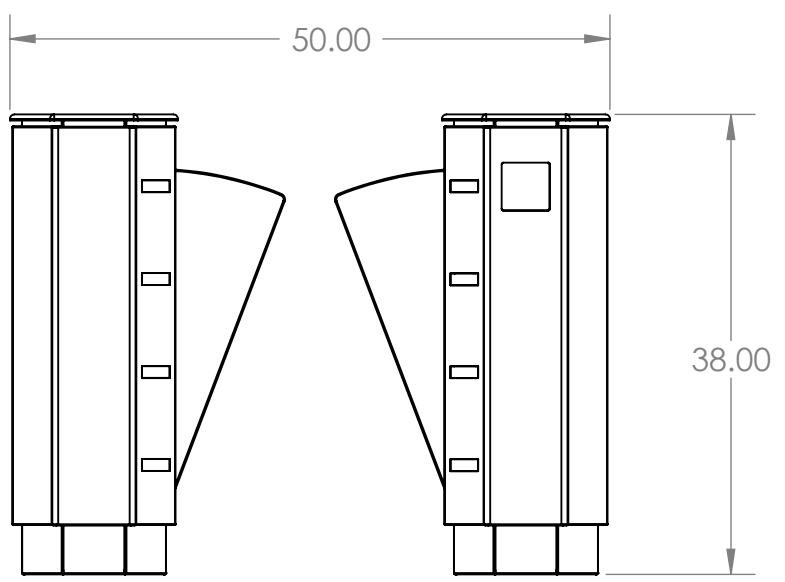
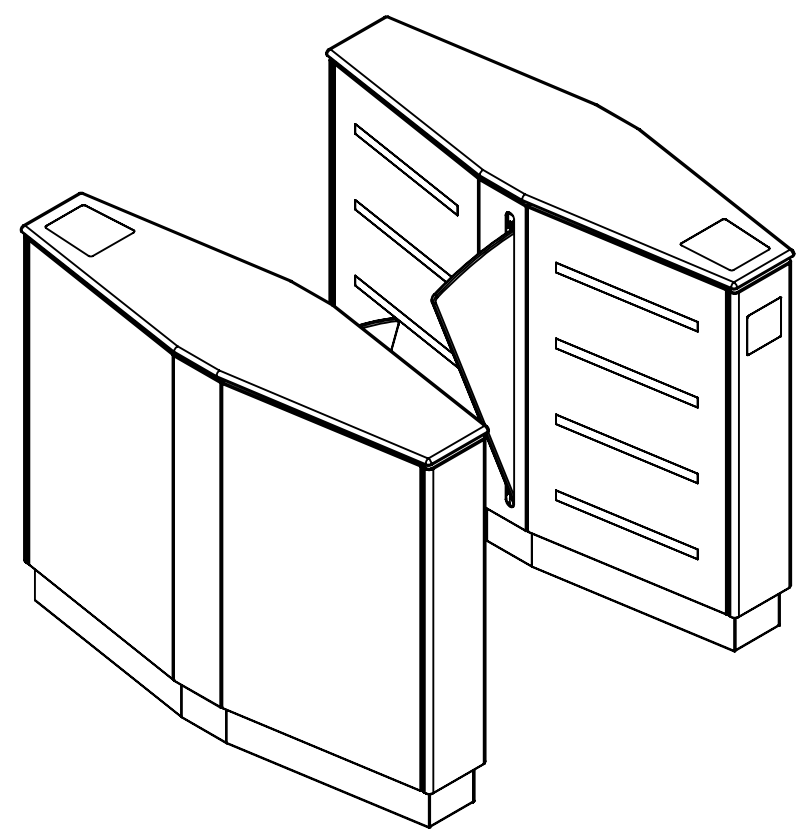
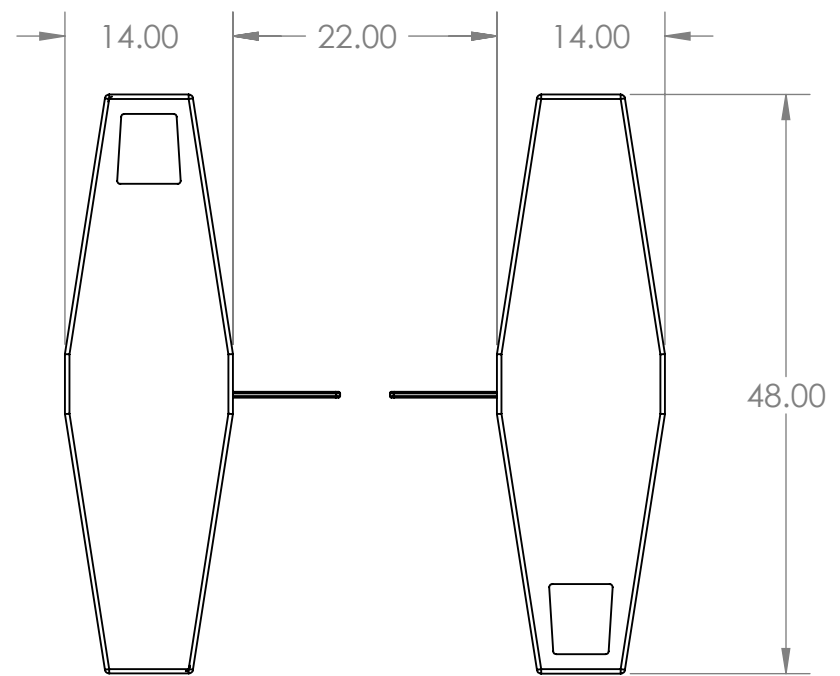


8 7 6 5 4 3 2 1

D
C
B
A

D
C
B
A



NOTE:
 1. ALL DIMENSIONS ARE APPROXIMATE.
 2. NON-OPTICAL SIDE SHOULD BE 6" FROM WALL TO ALLOW FOR SERVICING.

ENGR L.HOANG

ALVARADO MFG.CO.INC.
 12660 COLONY STREET, CHINO, CA. 91710

PROPERTY NOTICE: NO USE WITHOUT PRIOR WRITTEN CONSENT

SU3500 PLAN, ELEVATION & FOOTPRINT
[1 LANE]

SIZE B	NUMBER PEF-041	DATE 9/8/2009
SCALE: 1:16		UNLESS OTHERWISE SPECIFIED DIMENSIONS ARE IN INCHES
		SHEET 1 OF 1

8 7 6 5 4 3 2 1