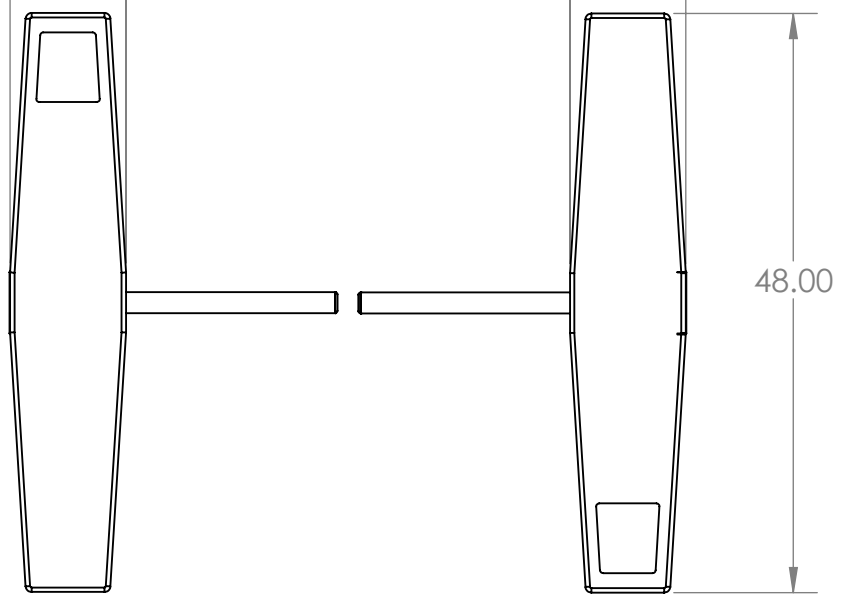


8 7 6 5 4 3 2 1

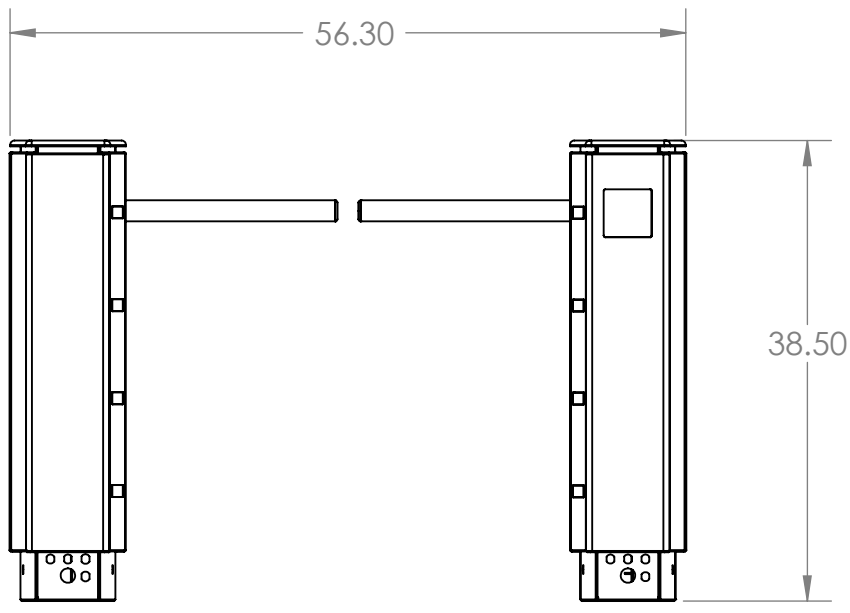
9.625 37.00 9.625

D



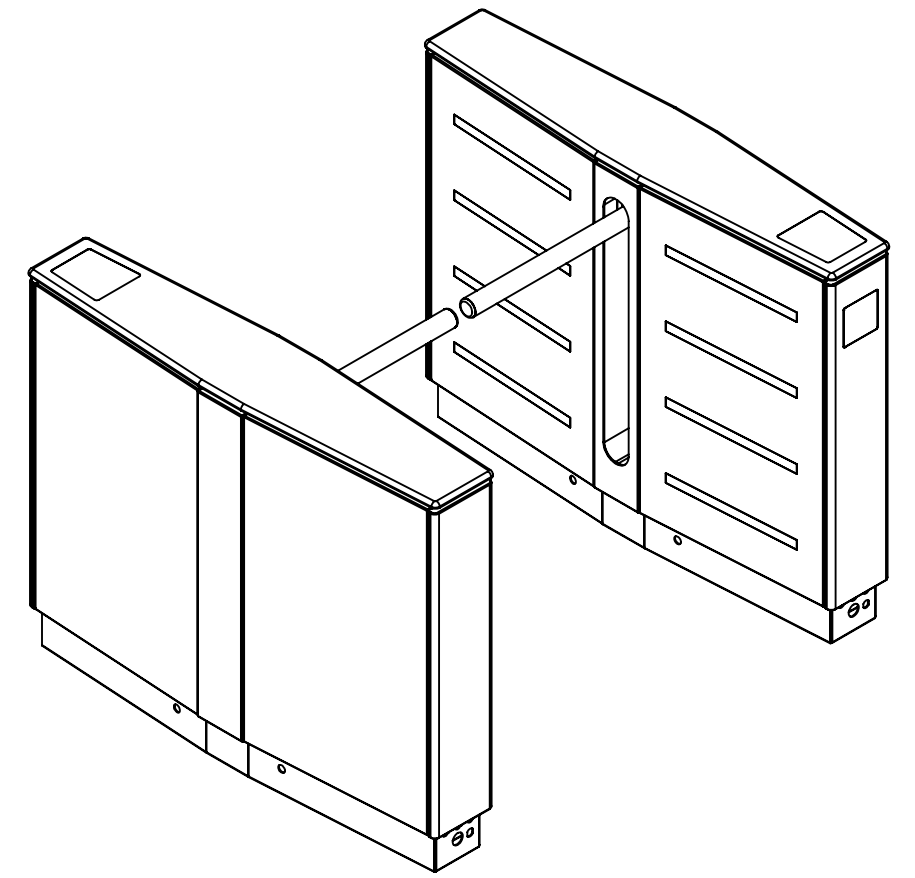
C

B



A

- NOTE:
1. ALL DIMENSIONS ARE APPROXIMATE.
 2. NON-OPTICAL SIDE SHOULD BE NO CLOSER THAN 6" FROM WALL TO ALLOW FOR SERVICING.
 3. ADA LANE WIDTH SHOWN, STANDARD WIDTH (28") LANES SHOULD BE USED FOR GENERAL PURPOSE ENTRY /EXIT CONTROL. ALVARADO RECOMMENDS ADA WIDTH LANES BE RESERVED FOR USE BY PATRONS WITH SPECIAL REQUIREMENTS.



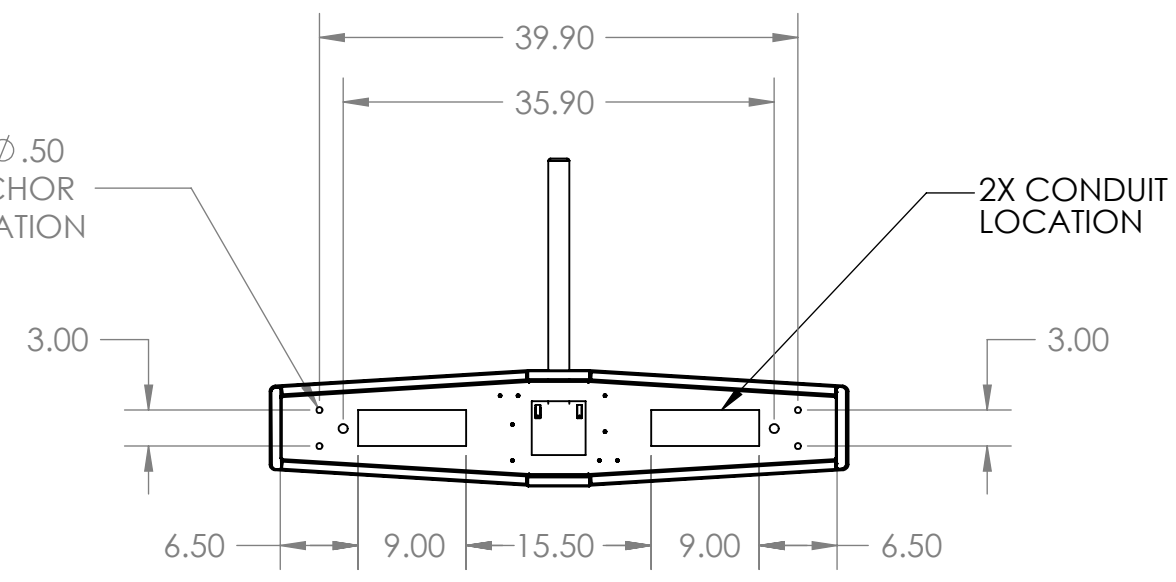
D

C

B

4X Ø.50 ANCHOR LOCATION

2X CONDUIT LOCATION



ENGR L.HOANG

ALVARADO MFG.CO.INC.
12660 COLONY STREET, CHINO, CA. 91710

PROPERTY NOTICE: NO USE WITHOUT PRIOR WRITTEN CONSENT

SU3000-ADA-PLAN,ELEVATION & FOOTPRINT
[1 LANE CONFIGURATION]

SIZE	NUMBER	DATE
B	PEF-036	8/12/2009
SCALE: 1:16		UNLESS OTHERWISE SPECIFIED DIMENSIONS ARE IN INCHES
		SHEET 1 OF 1

8 7 6 5 4 3 2 1