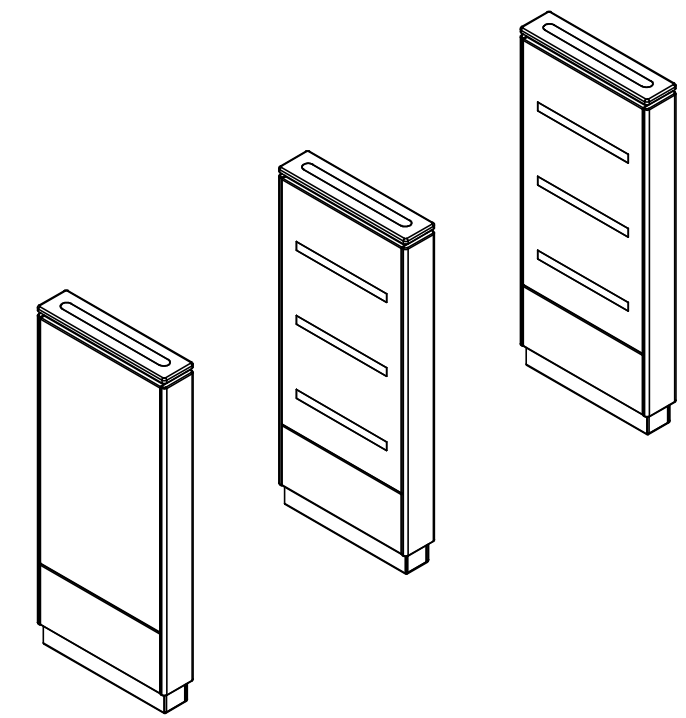
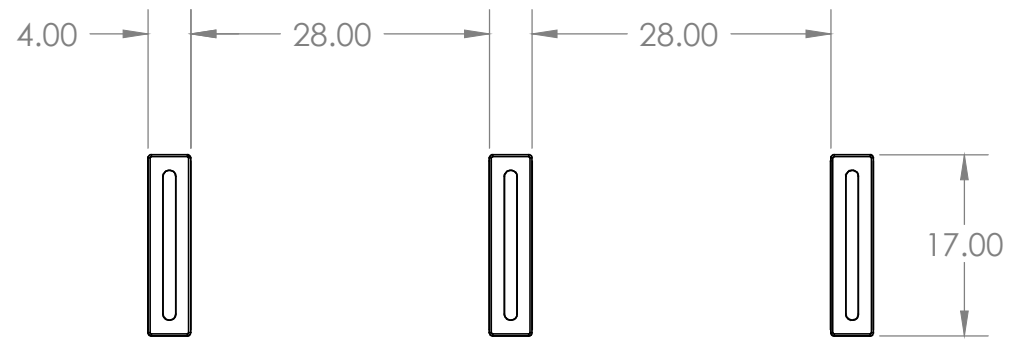


8 7 6 5 4 3 2 1

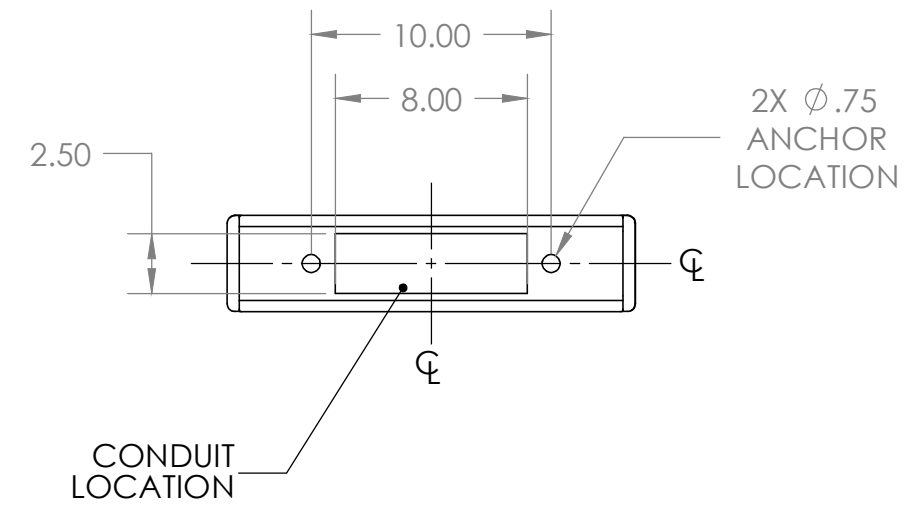
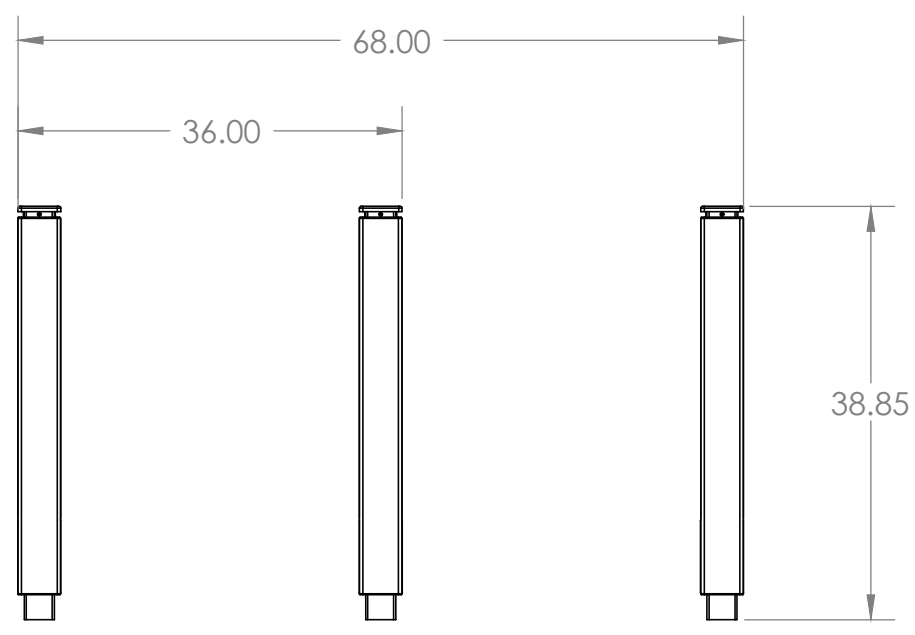
D

D



C

C



B

B

A

A

NOTES:

- 1. ALL DIMENSIONS ARE APPROXIMATE.
- 2. NON-OPTICAL SIDE SHOULD BE NO CLOSER THAN 6" FROM WALL TO ALLOW FOR SERVICING.

ENGR R.AMIGLIORE

ALVARADO MFG.CO.INC.
 12660 COLONY STREET, CHINO, CA. 91710

PROPERTY NOTICE: NO USE WITHOUT PRIOR WRITTEN CONSENT

SU2000SM - PLAN,
 ELEVATION & FOOTPRINT
 [2 LANE CONFIGURATION]

SIZE	NUMBER	DATE
B	PEF-026	8/11/2009
SCALE: 1:24		UNLESS OTHERWISE SPECIFIED DIMENSIONS ARE IN INCHES
		SHEET 1 OF 1

8 7 6 5 4 3 2 1