

8 7 6 5 4 3 2 1

D

C

B

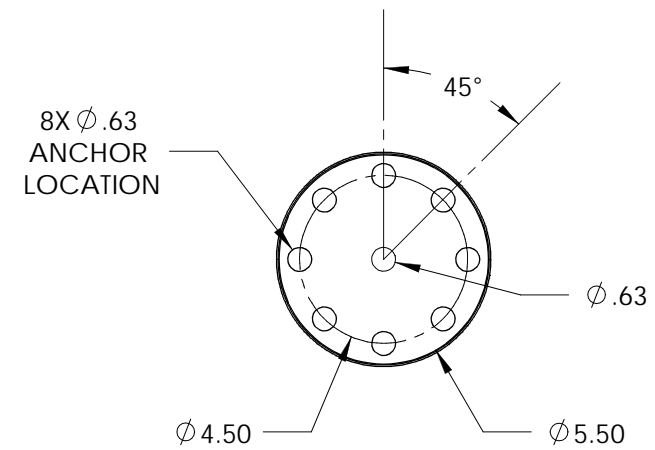
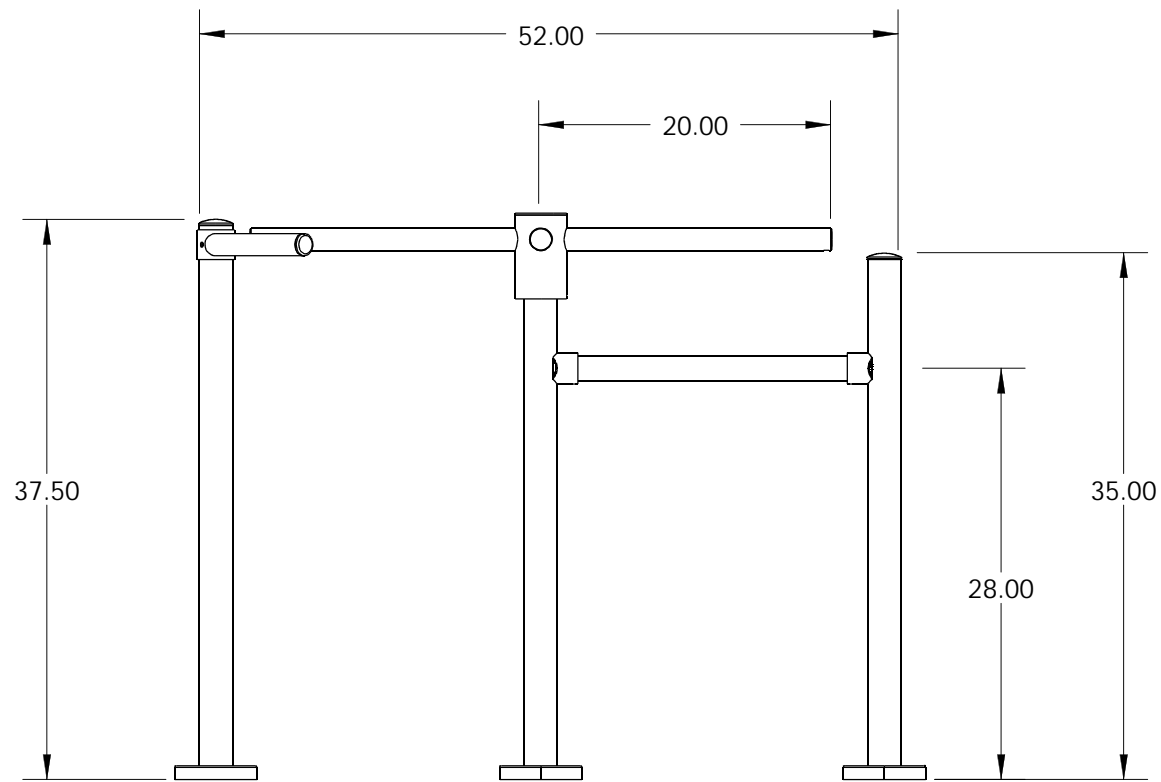
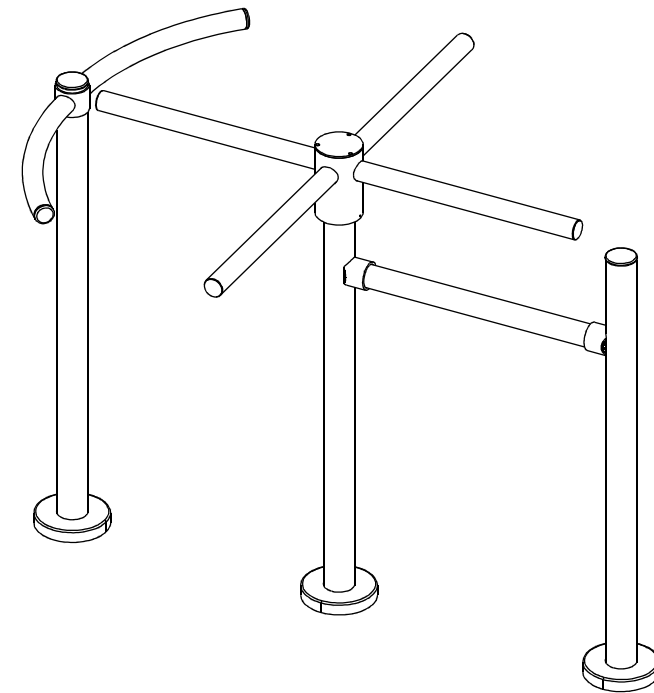
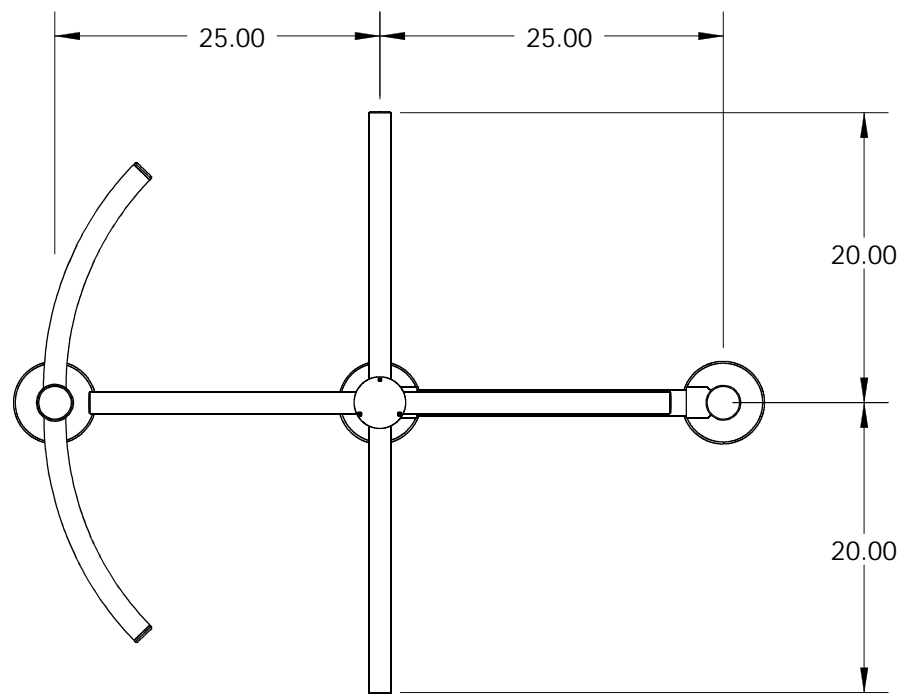
A

D

C

B

A



NOTES:
1. ALL DIMENSIONS ARE APPROXIMATE.

DRAWN BY: DR

ALVARADO MFG.CO.INC.

12660 COLONY STREET, CHINO, CA. 91710

PROPERTY NOTICE: NO USE WITHOUT PRIOR WRITTEN CONSENT

**MT - PLAN, ELEVATION,
& FOOTPRINT**

SIZE B	NUMBER PEF-106	DATE 4/23/10
------------------	-------------------	-----------------

SCALE: 1:8	UNLESS OTHERWISE SPECIFIED DIMENSIONS ARE IN INCHES	SHEET 1 OF 1
------------	--	--------------

8 7 6 5 4 3 2 1