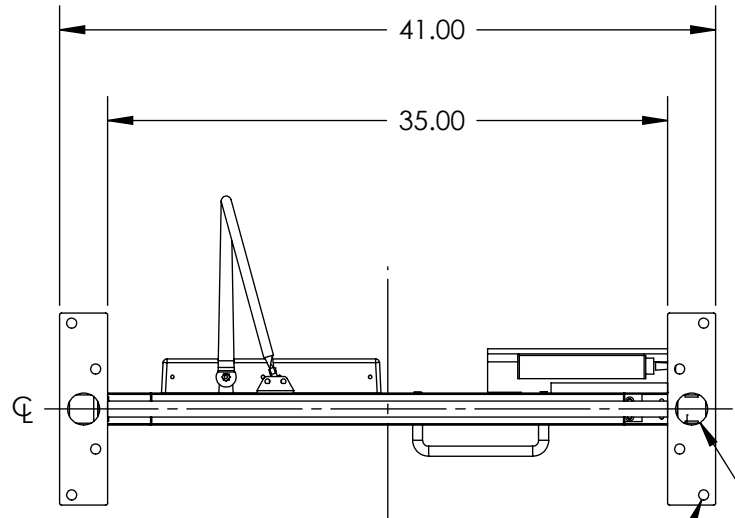
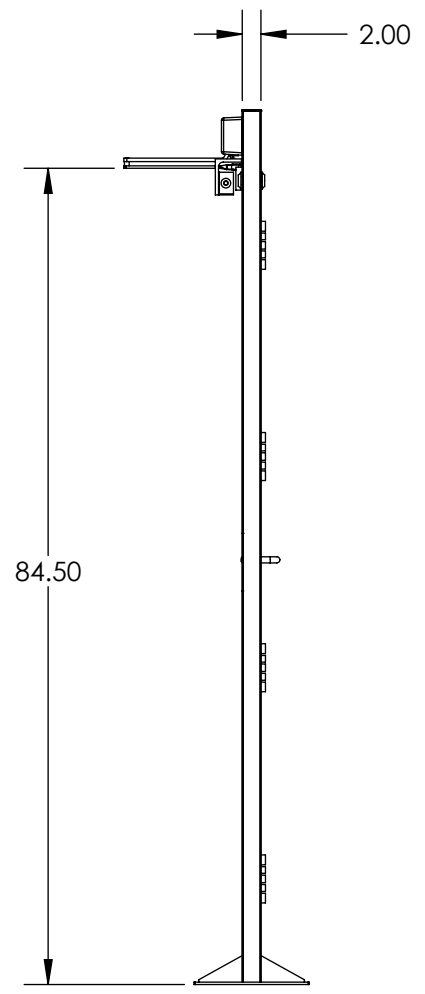
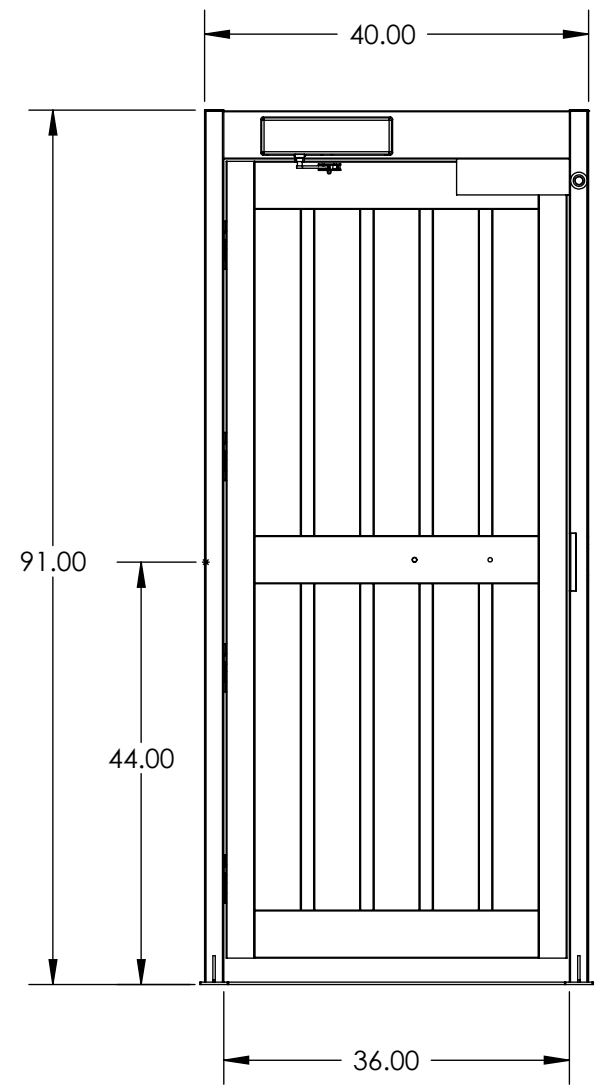
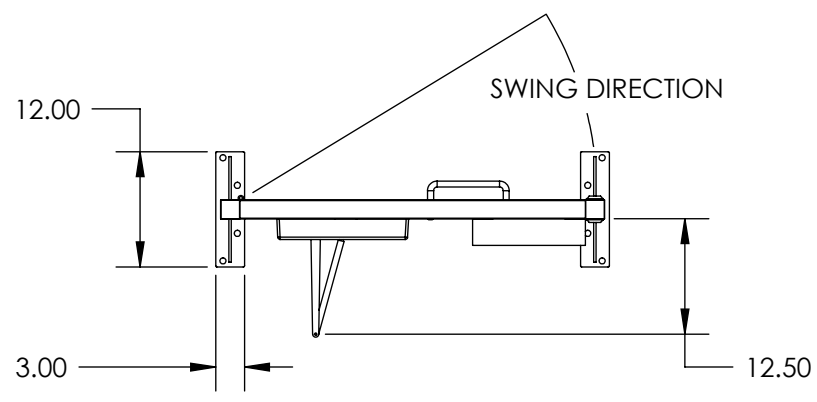
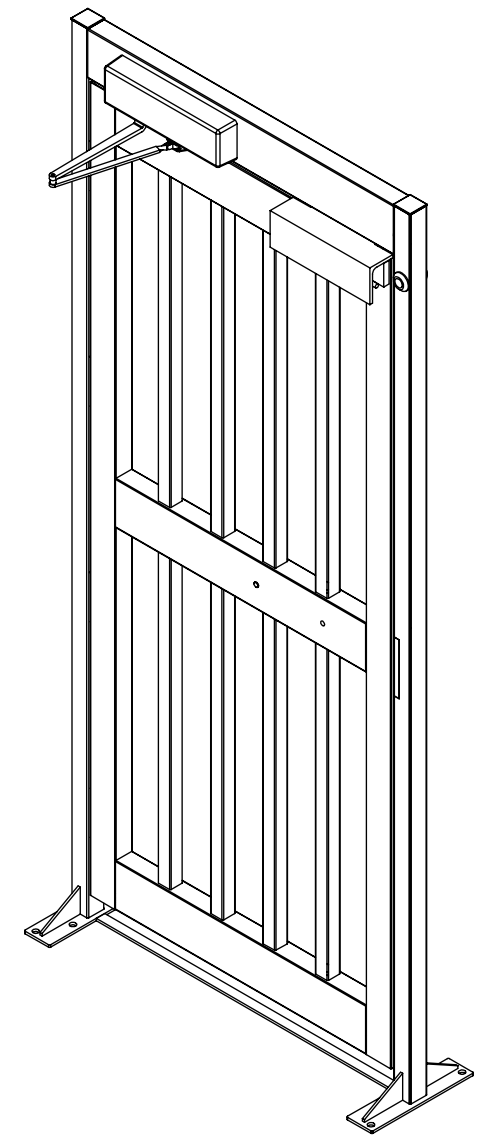


8 7 6 5 4 3 2 1



2X Ø 2.00 CONDUIT HOLE



NOTES:

1. ALL DIMENSIONS ARE APPROXIMATE.
2. GATE SHOWN IN LEFT HAND SWING CONFIGURATION. DIMENSIONS ARE TYPICAL FOR BOTH LEFT AND RIGHT HAND SWING DIRECTIONS.

DRAWN BY: G. FITCH

ALVARADO MFG.CO.INC.
12660 COLONY STREET, CHINO, CA. 91710

PROPERTY NOTICE: NO USE WITHOUT PRIOR WRITTEN CONSENT

MSGX 36 - PLAN,
ELEVATION, & FOOTPRINT

SIZE B	NUMBER PEF-086	DATE 4/8/2010
SCALE: 1:24		UNLESS OTHERWISE SPECIFIED DIMENSIONS ARE IN INCHES
		SHEET 1 OF 1

8 7 6 5 4 3 2 1