

8 7 6 5 4 3 2 1

D

D

C

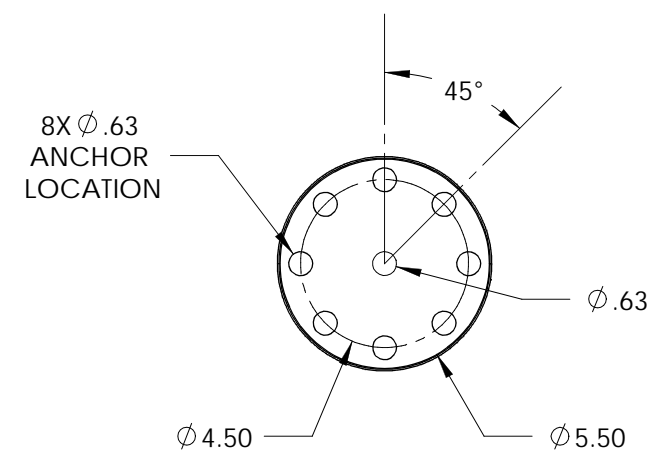
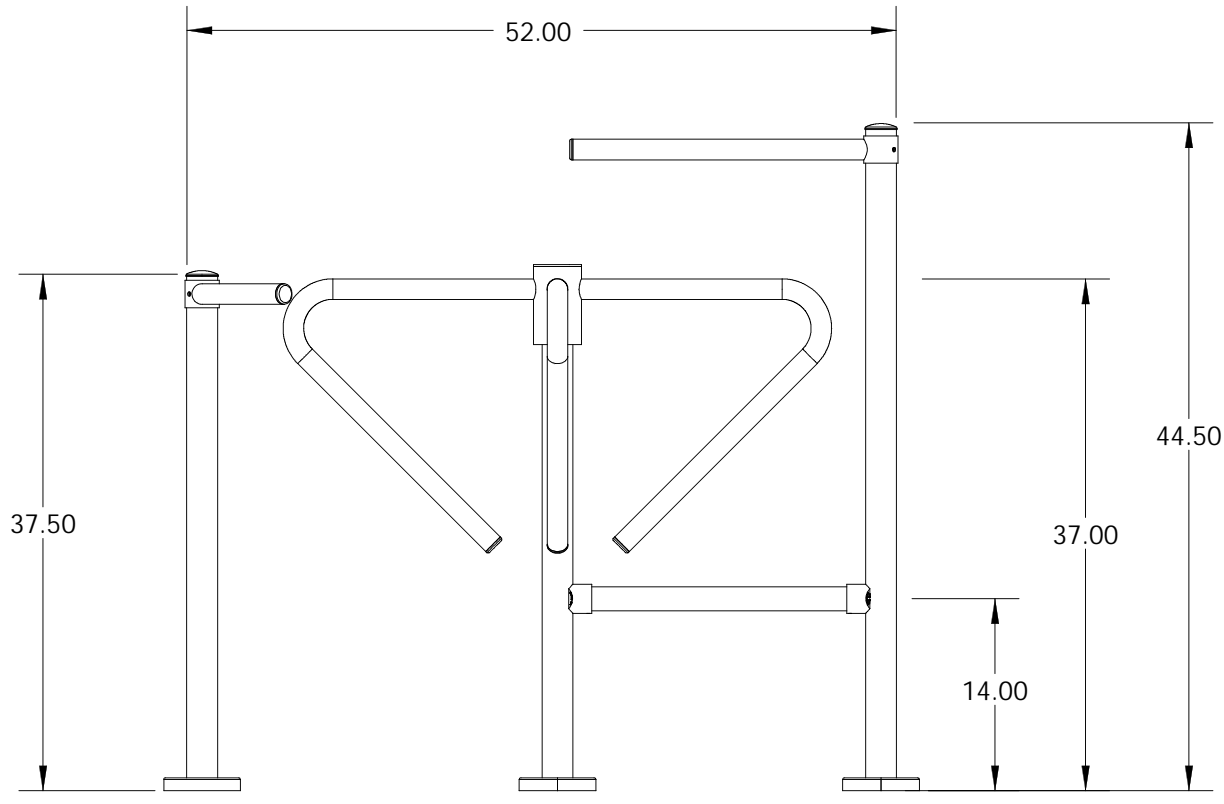
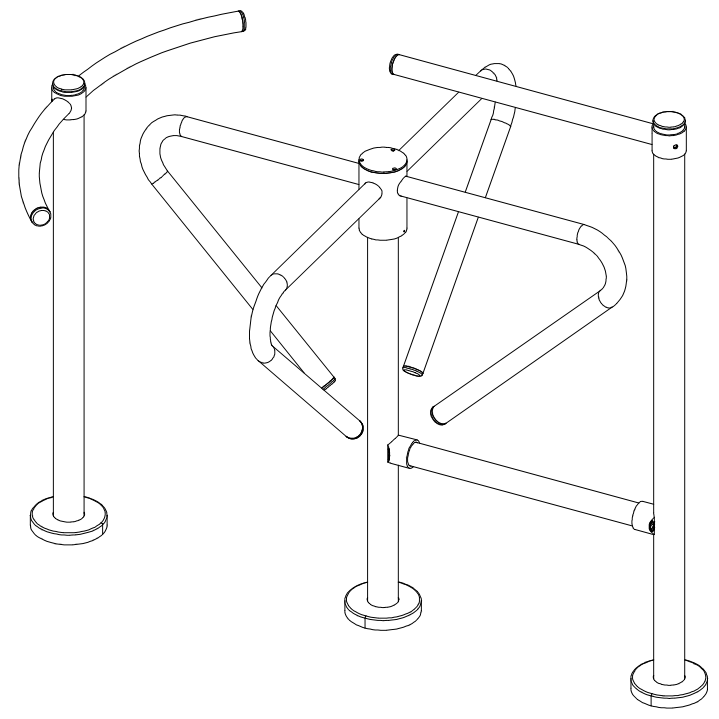
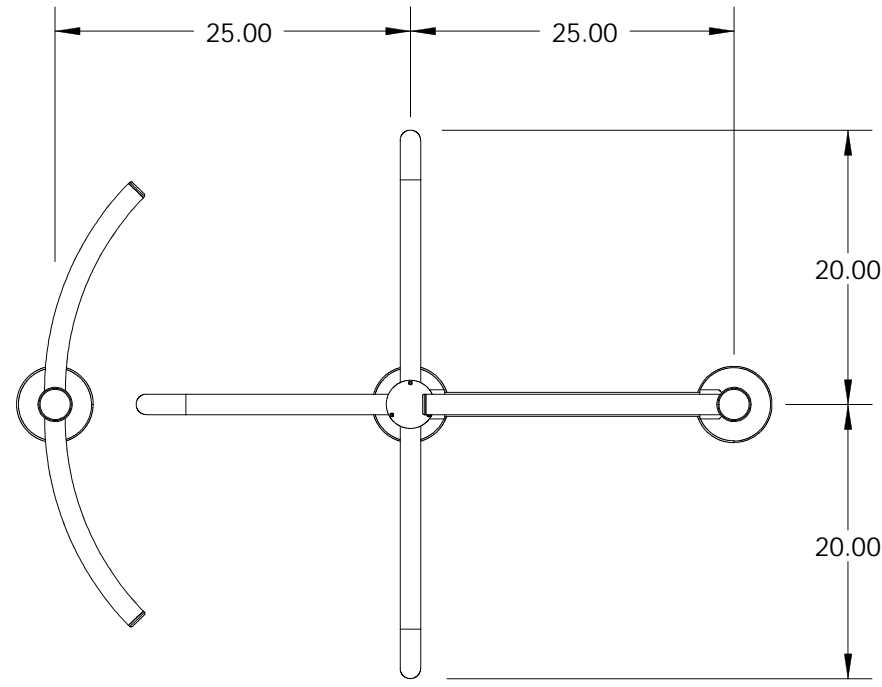
C

B

B

A

A



NOTES:  
 1. ALL DIMENSIONS ARE APPROXIMATE.

DRAWN BY: DR

**ALVARADO MFG.CO.INC.**  
 12660 COLONY STREET, CHINO, CA. 91710

PROPERTY NOTICE: NO USE WITHOUT PRIOR WRITTEN CONSENT

**GST - PLAN, ELEVATION,  
 & FOOTPRINT**

SIZE <b>B</b>	NUMBER PEF-106	DATE 4/23/10
SCALE: 1:8		UNLESS OTHERWISE SPECIFIED DIMENSIONS ARE IN INCHES
		SHEET 1 OF 1

8 7 6 5 4 3 2 1