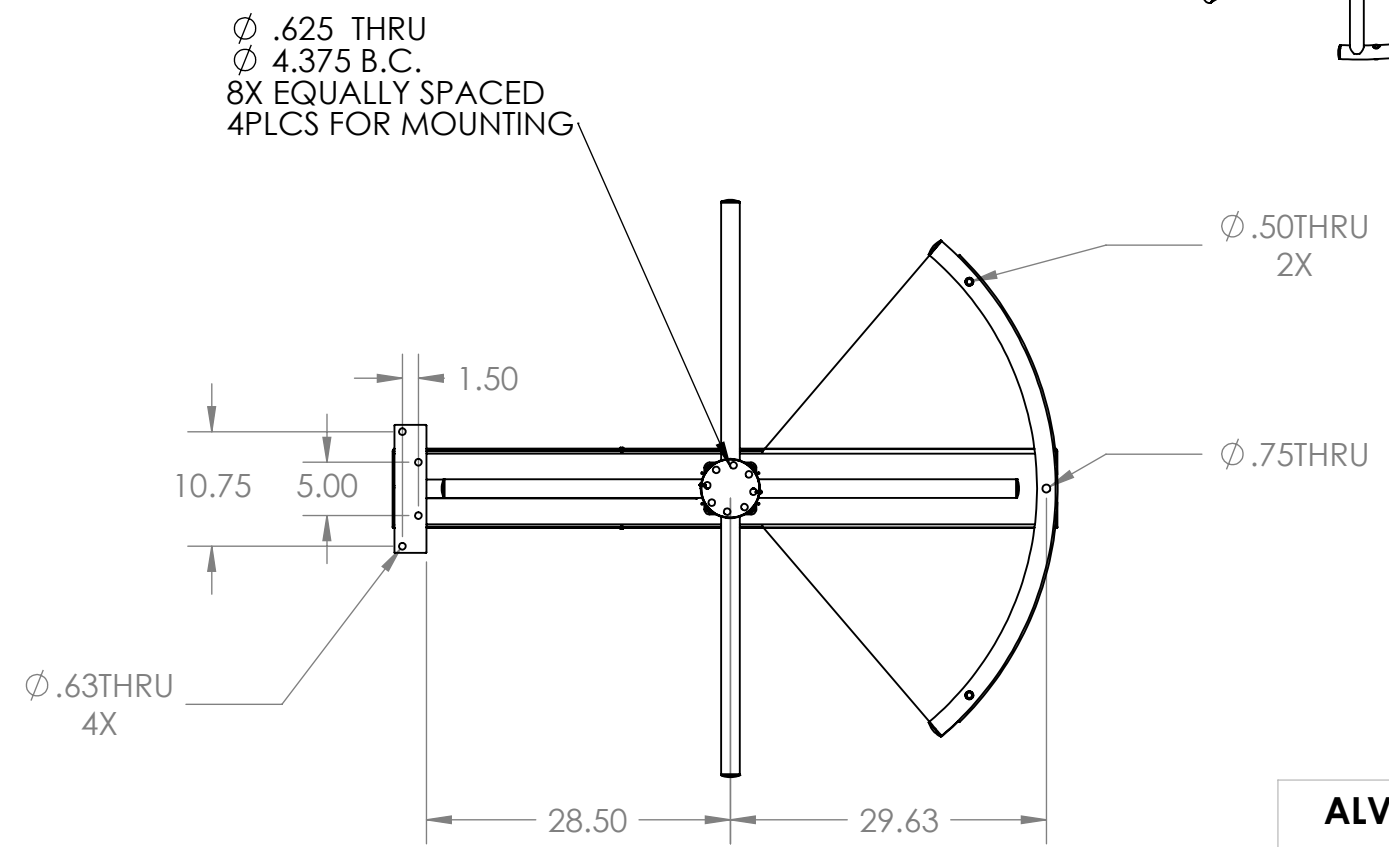
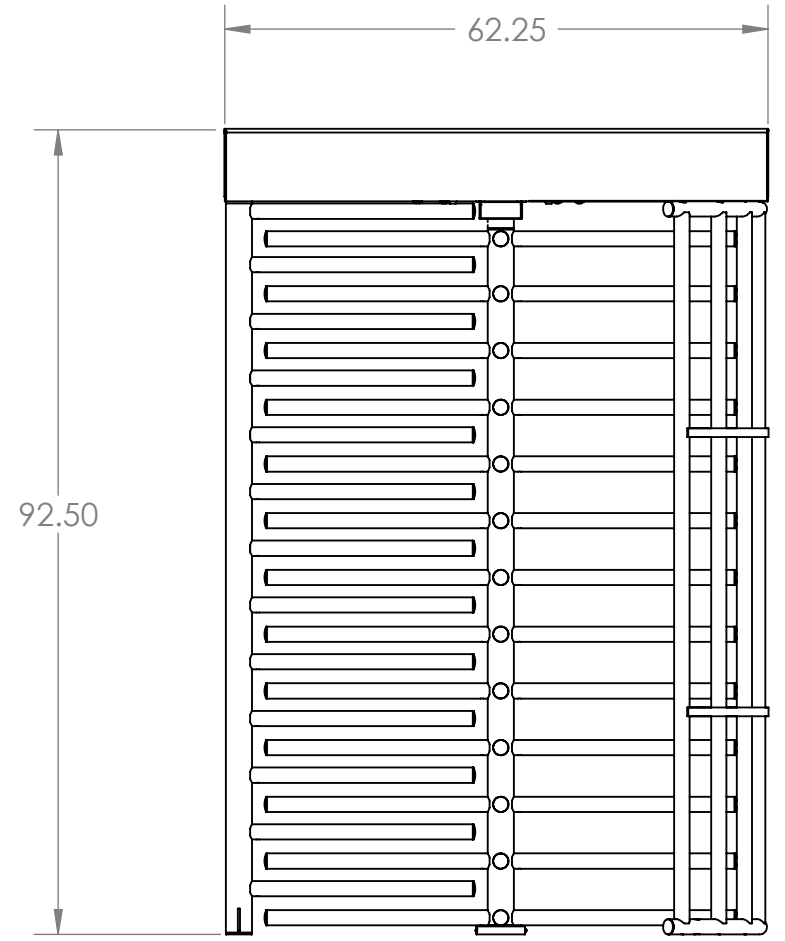
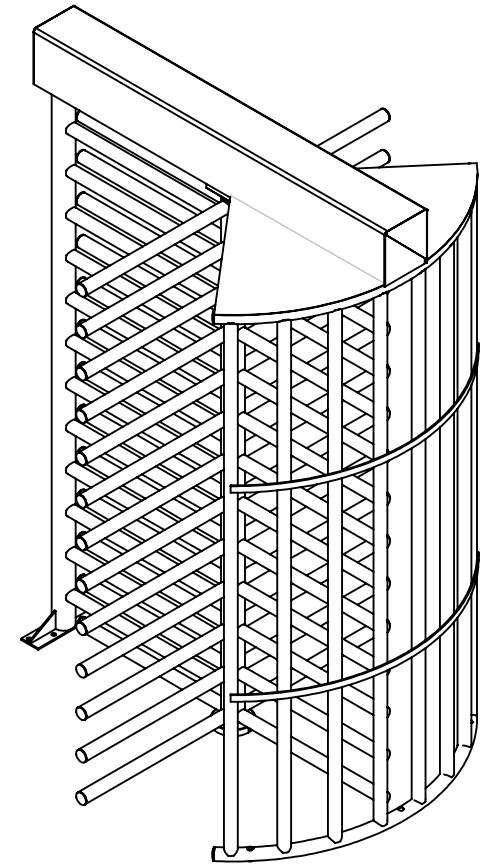
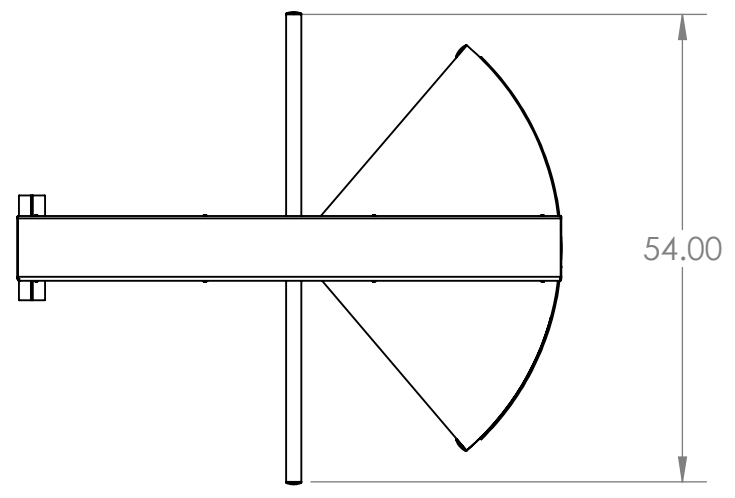


8 7 6 5 4 3 2 1

D  
C  
B  
A



NOTES:  
 1) ALL DIMENSIONS ARE APPROXIMATE  
 2) THESE DIMENSIONS ARE APPROPRIATE  
 FOR ALL VERSIONS OF THE FMST/FMSTX

ENGR JB

**ALVARADO MFG.CO.INC.**  
 12660 COLONY STREET, CHINO, CA. 91710

PROPERTY NOTICE: NO USE WITHOUT PRIOR WRITTEN CONSENT

**FMST/FMSTX**  
**PLAN, ELEVATION**  
**& FOOTPRINT**

|      |         |         |
|------|---------|---------|
| SIZE | NUMBER  | DATE    |
|      | PEF-008 | 9/10/09 |

|        |  |              |
|--------|--|--------------|
| SCALE: | UNLESS OTHERWISE SPECIFIED<br>DIMENSIONS ARE IN INCHES | SHEET 1 OF 1 |
|--------|--|--------------|

8 7 6 5 4 3 2 1