

# MODEL SSG/CSG

# GATES

alvaradomfg.com

The SSG and CSG are easy to install, single direction, self-closing gates suitable for use in many applications.

Features include fully welded steel construction, and a smooth, self-closing action.

The CSG and SSG gates have a 36 inch passage width and can be installed as a stand-alone gate, or may be used in conjunction with post and rail systems.

Optional rail outlets can be factory-installed or ordered loose for installation in the field.

Gates are available with right or left hand gate swing.

SSG gates are fabricated from stainless steel and are polished to a #4 satin finish.

CSG gates are fabricated from steel and have a bright chrome finish.



- **Reliable Closure Mechanism**
- **Durable Design**
- **Right or Left Hand Swing**
- **Satin Stainless Steel or Bright Chrome Finish**

# ALVARADO



## PRODUCT NAME

SSG - Waist high gate  
CSG - Waist high gate

## APPLICATIONS

Often used in conjunction with post and rail systems where a single direction gate is desired. CSG gates should not be used outside.

## PRODUCT FEATURES - Mechanical

### Materials and Operation

- Fully welded stainless steel or steel assembly
- Self closing
- Easy installation--gate posts secure to the floor with four anchor bolts

## PRODUCT FEATURES - Mechanical (continued)

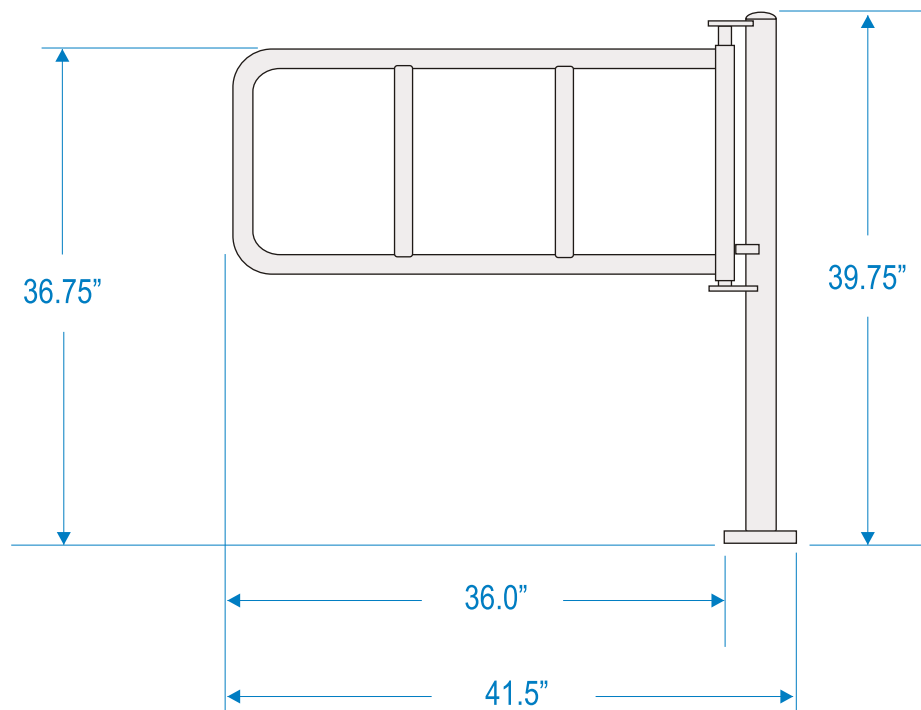
### Finishes

- Stainless steel with a #4 satin finish - SSG
- Bright Chrome - CSG

## WARRANTY

Alvarado's standard one-year written warranty applies to all products.

## CSG/SSG Dimensions



PDS1048R1-1