

MODEL LG-36

Alvarado's LG latch gates can be used as stand-alone gates, or in conjunction with post & rail systems.

The LG features a unique lower bearing outlet that provides superior stability. The gate includes a latch post with a reversible finger latch assembly that allows the gate to be configured in the field as either a right or left hand gate swing. The latch can be padlocked for added security. Standard finish is bright chrome.



The LG's durable latch finger is reversible, allowing the swing direction to be changed in the field.

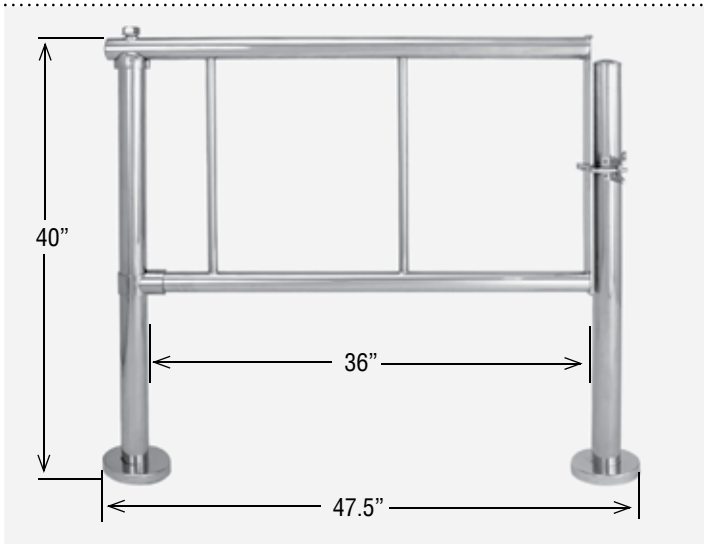
MODEL SL-10

Alvarado's SL-10 gate is an inexpensive, effective solution for applications that require a gate that can be easily integrated with post and rail systems.

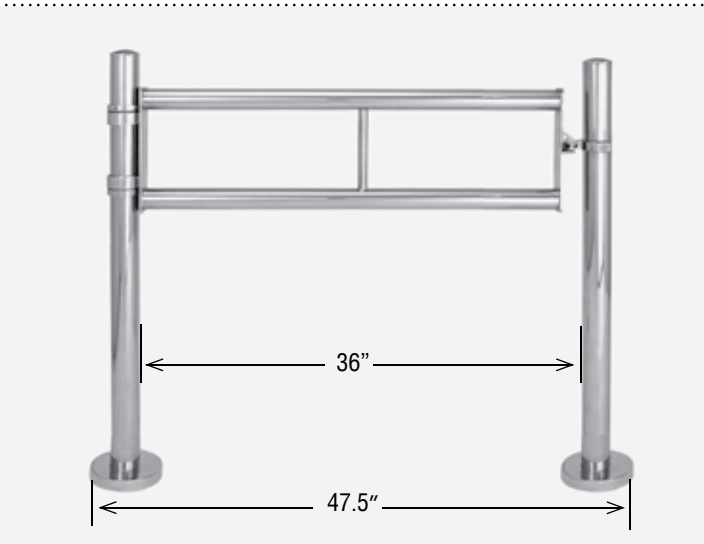
The SL-10 fits securely over an Alvarado 2.25" diameter post and has a U-Latch that attaches to an adjacent post. Latch posts and hinge posts are sold separately. Standard finish is bright chrome.



The SL gate's durable U-latch assembly can be padlocked for added security.



LG GATE INCLUDES POSTS AS SHOWN.



HINGE AND LATCH POSTS ARE SOLD SEPARATELY FOR THE SL-10.

BASE LG-36 MODEL BASE SL-10 MODEL

LGA36-001 Reversible SL-10 Bi-directional

OPTIONS FOR LG-36 & SL-10 GATE

Part No.	Product Description
<input type="checkbox"/> P02	Post Outlet - Loose
<input type="checkbox"/> SB14	Vogue Anchor & Bolt Set (ONE SET REQUIRED PER GATE AND LATCH POST).
<input type="checkbox"/> VE035	Hinge & Latch Post (SL-10 ONLY) SEE AVAILABLE VEO POSTS ON PAGE 20



Double sleeved hinge fits over a 2.25" diameter post.

