

## MODEL MT

The Model MT is Alvarado's industry standard four-arm turnstile that provides single direction passage control.

The MT is solidly constructed and utilizes a silent one-way clutch that allows the turnstile to rotate in one direction. The turnstile comes standard in clockwise rotation but may be easily changed to counter clockwise in the field.

Often used in conjunction with post & rail systems, MT turnstiles are ideal for any application where patron flow control is desired.

Model MT turnstiles are available as a single, standard post-mounted unit with all components shown below. Standard finish is bright chrome.



THE BASE MT MODEL INCLUDES ALL COMPONENTS DISPLAYED IN THE PHOTO ABOVE.



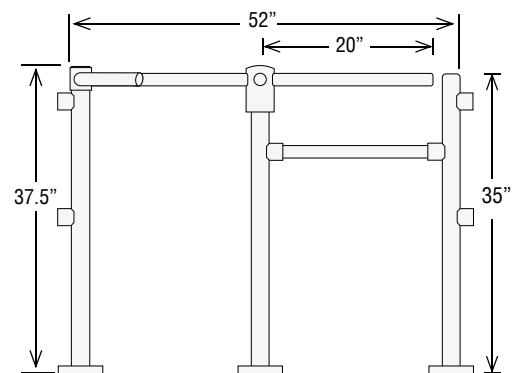
AN MT PROVIDES ONE WAY ENTRY CONTROL IN A RETAIL APPLICATION.

### BASE MT MODEL

MTA01-001	Four Arm Turnstile
-----------	--------------------

### OPTIONS FOR MT TURNSTILE

Model No.	Product Description
P02	Rail Outlet - Loose
SB14	Vogue Anchor & Bolt Set (ONE SET REQUIRED PER POST)



SHOWN WITH OPTIONAL POST OUTLETS.