

# MODEL MSG

# SECURITY GATES

alvaradomfg.com

The **MSG** full height security gate comes framed, fully assembled, and ready for installation.

MSG gates can be installed to provide a single entry point, or used in conjunction with full height turnstiles. MSG gates are often used to provide package and material delivery, as a part of a facility access system, or in place of a door when a clear line of sight is desired.

All MSG gates open in a single direction and have a heavy duty hydraulic closure that smoothly closes the gate without slamming.

The gates are cleanly fabricated and have a galvanized or a color powder coated finish. For added corrosion protection, a powder coat finish over galvanized is also available.

There are several MSG gate models, for virtually any application. Key lock, electric lock control, infill mesh and push or panic hardware is available. Card reader attachment plates can be added to electrically locking models to easily integrate the MSG gate with virtually any access control system.



- ***Pre-hung; Ships Fully Assembled, Ready for Installation***
- ***Can be Used Alone or with Turnstiles***
- ***Convenient for Delivery Access***
- ***Manual & Electric Lock Controlled Models Available***

# ALVARADO



## PRODUCT NAME

MSG - Maximum Security Gate

## APPLICATIONS

**Non-Electric MSG** - May be used as a stand-alone gate, or with full height turnstiles, to provide key controlled access for patrons or personnel. Passage width is suitable for parcel delivery.

**Electric MSGX** - Electric lock controlled versions of the MSG easily integrates with virtually any type of access/identification system.

## PRODUCT FEATURES - All Models

### Materials and Operation

- Heavy gauge materials
- Gate and frame are fully welded
- Gate comes pre-hung in frame
- Self closing mechanism is hydraulically dampened to prevent slamming
- Heavy-duty ball bearing hinges
- Pull Handle for ease of opening
- Built in conduit attachment

### Finishes

- Galvanized
- Baked on color powder coat
- Baked on color powder coat over galvanized

## PRODUCT FEATURES - Electric (MSGX) Models

### Power - MSGX, MGX-PX, MSGX-E & MSGX-S Models

- Low voltage 12 VDC operation
- 120 VAC primary input step down transformer included

### Electrical Locks

- **Magnetic Lock:** Available on MSGX and MSGX-PX models. Offers up to 1200 pounds holding force
- **Electric Strike:** Available on MSGX-E and MSGX-S models. Offers fail-secure operation and up to 1200 pounds holding force

**PRODUCT SELECTION** - Note: All gates are self-closing.

**MSG** - Manual gate, no locking.

**MSG1** - Manual gate, key lock control for entry, mechanical push bar for exit with diamond pattern infill mesh for added security.

**MSGX** - Electrically controlled magnetic lock for both entry and exit.

**MSGX-PX** - Electrically controlled magnetic lock for entry and exit, switch based push bar for exit with diamond pattern infill mesh.

**MSGX-E** - Electrically controlled fail-lock strike, mechanical push bar for exit with diamond pattern infill mesh.

**MSGX-S** - Electrically controlled fail-lock strike.

## OPTIONS

**Width** - 48" and 36" opening widths for all MSG models.

**Infill Mesh** - Diamond pattern infill mesh available on MSG, MSGX and MSGX-S models

**Magnetic Gate Position Switch** - Used to monitor the status of the gate for open or closed position. Available for all models.

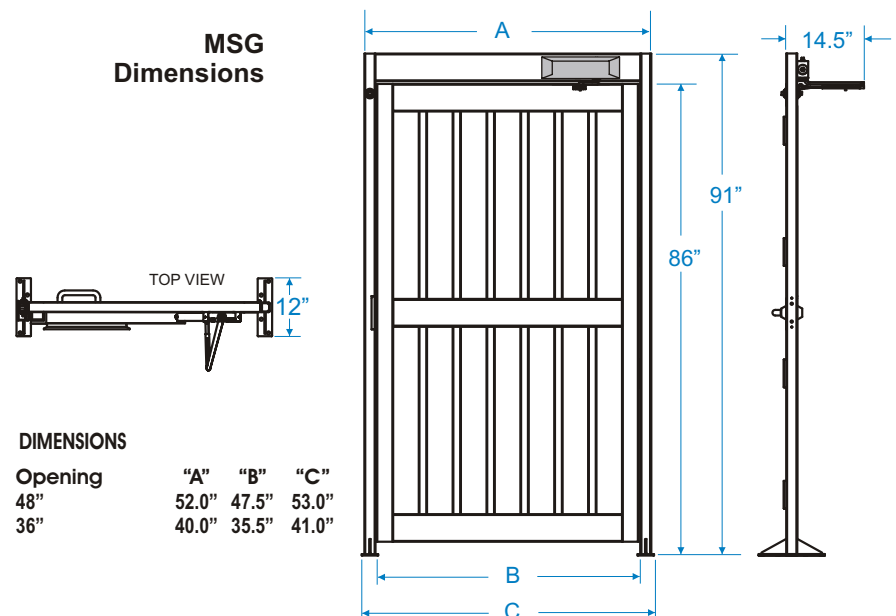
**Deadbolt** - Single and double cylinder deadbolt for MSG model.

**Card Reader Plates** - Attachment plates for card readers are available for MSGX, MSGX-PX, MSGX-E and MSGX-S models.

**Remote Activation** - "Push to Exit" button assembly for remote activation of electrically controlled gates.

## WARRANTY

Alvarado's one-year written warranty applies to all products.



PDS1036R4-0