

## MODEL LG-36

Alvarado's LG latch gates can be used as stand-alone gates, or in conjunction with post & rail systems.

The LG features a unique lower bearing outlet that provides superior stability. The gate includes a latch post with a reversible finger latch assembly that allows the gate to be configured in the field as either a right or left hand gate swing. The latch can be padlocked for added security. Standard finish is bright chrome.



*The LG's durable latch finger is reversible, allowing the swing direction to be changed in the field.*

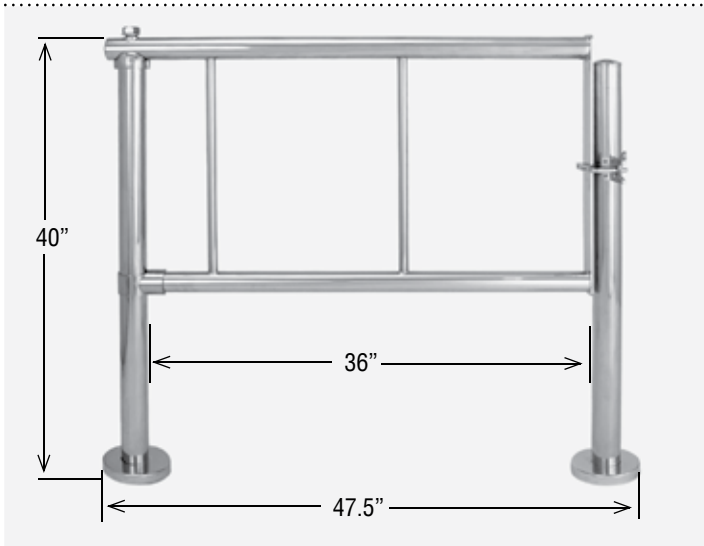
## MODEL SL-10

Alvarado's SL-10 gate is an inexpensive, effective solution for applications that require a gate that can be easily integrated with post and rail systems.

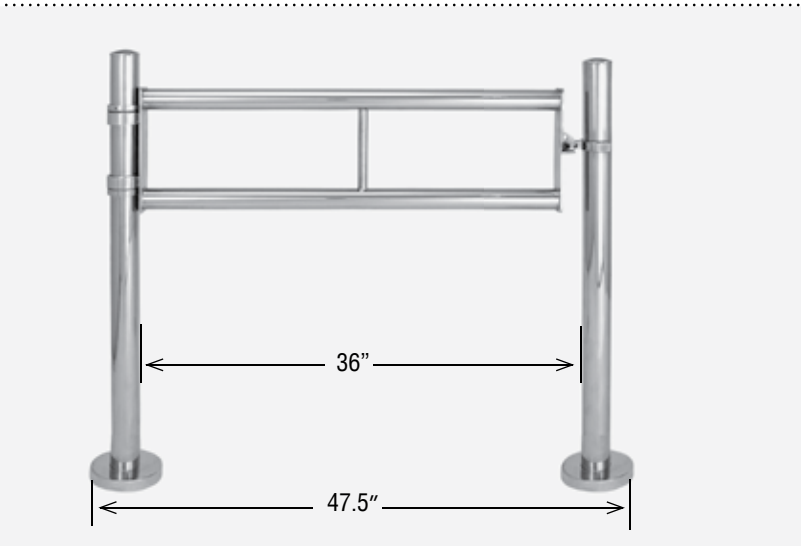
The SL-10 fits securely over an Alvarado 2.25" diameter post and has a U-Latch that attaches to an adjacent post. Latch posts and hinge posts are sold separately. Standard finish is bright chrome.



*The SL gate's durable U-latch assembly can be padlocked for added security.*



LG GATE INCLUDES POSTS AS SHOWN.



HINGE AND LATCH POSTS ARE SOLD SEPARATELY FOR THE SL-10.

### BASE LG-36 MODEL    BASE SL-10 MODEL

LGA36-001 Reversible     SL-10 Bi-directional

### OPTIONS FOR LG-36 & SL-10 GATE

Part No.	Product Description
<input type="checkbox"/> P02	Post Outlet - Loose
<input type="checkbox"/> SB14	Vogue Anchor & Bolt Set (ONE SET REQUIRED PER GATE AND LATCH POST).
<input type="checkbox"/> VE035	Hinge & Latch Post (SL-10 ONLY) SEE AVAILABLE VEO POSTS ON PAGE 20



*Double sleeved hinge fits over a 2.25" diameter post.*

