

MODEL GDO

Alvarado's GDO is a durable, single direction, self-closing double gate suitable for use in demanding shopping cart and equipment entry applications.

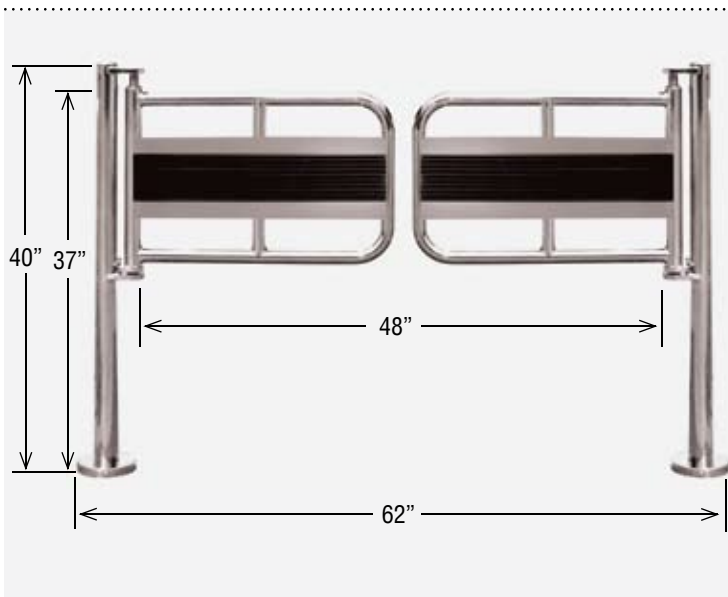
The gate has a robust closure mechanism that provides smooth, self-closing operation. Crash plates welded to the entry side of the gate arms make the GDO ideal for one-way stocking or shopping cart pass-through. High impact bumper strips with a near-permanent adhesive are included to dampen noise and provide protection against cart damage.

With a 48" passage width, the GDO gate can be installed stand alone or used in conjunction with posts, railing, and turnstiles.

Optional factory attached outlets are available for integration with Alvarado post and rail.

Standard finish for the GDO gate is bright chrome.

Contact customer service for factory installed railing outlet options.



GDO WITH 48" PASSAGE WIDTH.

OPTIONS FOR GDO GATE

Part No.	Product Description
P02	Post Outlet - Loose
SB14	Vogue Anchor & Bolt Set (ONE SET REQUIRED PER POST)

▲ Dual GDO gates are shown in a "sally port" configuration. This application requires entering customers to pass through a dual set of GDO gates. The dual set of gates are easy to enter, but difficult to exit through. This setup naturally funnels exiting customers through check stand areas. Railing, one way turnstiles and VSG gates can be added to accommodate pedestrian foot traffic.

