

MODEL *EDC*

STANDARD & EXTENDED

SECURITY TURNSTILES

alvaradomfg.com

Designed for reliable security in facilities, stadiums and buildings, Alvarado's EDC is simply the finest three-arm turnstile available.

The clean, graceful lines of the EDC are suitable for use in any installation. No external bolts or fasteners are used in either the fabrication or anchoring process, and the unique bullet style head and arms provide an extremely comfortable patron passage width.

Internal components include stainless steel investment grade castings and hardened stainless steel locking components. Hydraulically dampened arm rotation with automatic arm self-centering offers patrons a smooth, effortless rotation experience.

The electrically controlled version of the EDC uses state-of-the-art technology. A rugged multi-function controller, electronic rotation detection, bi-directional interface and time-out functionality are all standard on electrically controlled EDC's.

The EDC integrates easily with any identification and access system. A large terminal strip interface and helpful field diagnostic tools simplifies installation and troubleshooting.

The standard or extended cabinet model EDC is available in satin stainless steel and color powder coat finishes. Standard card reader attachment and custom internal integration of readers is available.

- ***Superior Styling***
- ***Secures Entry/Exit Points***
- ***Hydraulically Dampened Rotation***
- ***Multi-Function Controller***
- ***Easy Installation and Systems Integration***
- ***Portable Units Available***



ALVARADO



PRODUCT NAME

EDC, EDC Extended - The extended EDC offers the same functionality as the standard EDC, but with an extended cabinet and longer arms.

APPLICATIONS

Manual EDC - Provides directional control in a facility requiring an orderly flow and/or count of patrons.

Electric EDCX - Provides controlled access to an area requiring access or admission control.

PRODUCT FEATURES - Mechanical

Styling

- Superior styling
- No exposed bolts or fasteners
- Concealed anchoring system

Materials and Operation

- Stainless steel precision cast internal components
- Hydraulically dampened arm operation self-centers arms and prevents over travel
- Wide patron passage width
- Key overrides allow turnstile to be locked/unlocked in either passage direction
- Locking hinged lid

Finishes

- Stainless steel polished to a #4 satin finish
- Baked on color powder coat

Upgrading to Electric Lock Control

- All EDC manual frames are pre-drilled to accept electrical components for easy field upgrade.

PRODUCT FEATURES - Electrical

Electric

- 110VAC input stepped down to low voltage 12VDC
- Junction box with dual power receptacle and on/off power switch provided
- Electric turnstiles tested and approved by Los Angeles City Testing Laboratories

Controller and Access Control Operation

- Electronic rotation detection - no mechanical microswitches required
- Bi-directional interface - an isolated dry contact signal activates the turnstile - no added interface relay required
- Turnstile automatically relocks in 20 seconds if no passage after activation
- Controller provides dry contact rotation signal output to access control provider and/or remote counting system
- Field activation test buttons allow testing of turnstile functionality separately from access system
- "Attendant Override" input accepts dry contact signal to allow attendant to bypass the access control system and unlock the turnstile.

PRODUCT SELECTION

MANUAL (EDC)

EDC-3 - Free rotating in both directions, key lock for both directions

EDC-E-3 - Free rotating in both directions, key lock for both directions. Extended cabinet and arms.

ELECTRIC (EDCX)

EDCX-6X - Electrically controlled in both directions.

EDCX-E-6X - Electrically controlled in both directions. Extended cabinet and arms.

EDC OPTIONS

Counters - Resettable or non-resettable lithium battery powered counter recessed into the turnstile. Computerized counting also available.

Status Lights - Green/red to indicate locked/unlocked status or yellow/green/red to indicate ready status and accept/reject status received from access system.

Fail-Safe - Turnstile provides free rotation upon loss of power in the electrically controlled directions.

Adjustable Timed Delay Auto Re-Lock - Allows the duration of time allowed before unit automatically re-locks to be adjusted or disabled in each electrically controlled direction.

Card/Swipe Reader Mounting - Units can be fitted with mountings for most card reader systems.

Remote Locking - Bypasses the access control system and remotely "closes" the unit in the electrically controlled direction(s).

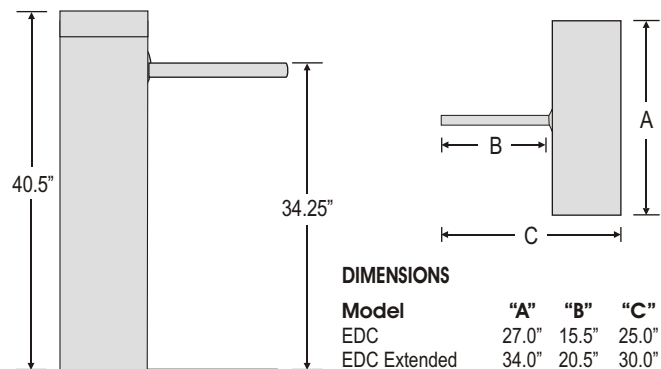
Portable Base* - Turnstile is attached to a black powder coated steel diamond plate base. Option includes handle, wheels and attached guide rail.

220 - 240 Volt Transformer - Replaces standard transformer.

Serial Interface - Allows turnstile to communicate with a PC or controller via RS-232 serial communication.

Custom Options - Custom materials and designs are available to meet your specific requirements.

*Base plate available only for EDC



PDS1024R3-3